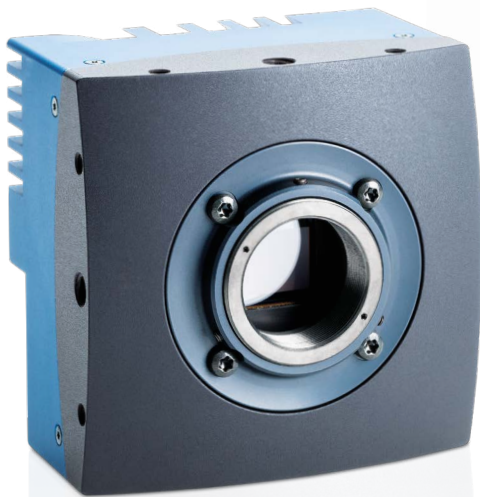


EoSens® 2.0CXP2



CoaXPRESS

GEN<i>i>CAM

CXP-12

Engineered for highest Performance

Featuring a high-speed CMOS sensor, the EoSens® 2.0CXP2 offers full HD1,920 x 1,080 pixel resolution at an outstanding speed of 2,220 fps. The camera takes advantage of the new CoaXPRESS Standard Version 2.0 transmitting data at twice the data rate of Version 1.1. The camera's CXP-12 interface supports data transmission of up to 4 lanes at 12.5 Gbps.

High Sensitivity

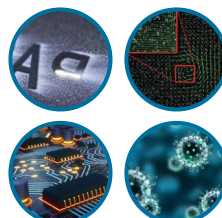
The camera's extreme sensitivity of 20 V/lux*s @ 550 nm delivers high-contrast images even in very low light conditions. This allows to integrate it in applications where lighting is the crucial point.

EoSens® 2.0CXP2 Key Features:

- 2,220 fps at 2 megapixel resolution
- Up to 170,500 fps at reduced resolution
- High sensitivity
- Fast CoaXPRESS V2.0 interface
- 80 x 80 x 53 mm small

APPLICATION EXAMPLES

- Melt pool monitoring
- Additive Manufacturing
- Ball grid inspection
- Sorting
- PIV measurements
- Inspection
- Roboter positioning
- Microscopy



MIKROTRON
High-Speed Vision Solutions

Compact Design

Contained within an 80 x 80 x 53 mm in a fanless metal housing and an integrated CoaXPress interface, the EoSens® 2.0CXP2 is suited for use in a wide range of industrial applications.

Frame rates

Resolution	Frame rate
1,920 x 1,080 px	2,220 fps
1,280 x 1,024 px	2,350 fps
1,280 x 764 px	3,150 fps
640 x 480 px	5,010 fps
128 x 128 px	18,160 fps
	Max. 170,500

Smart Features

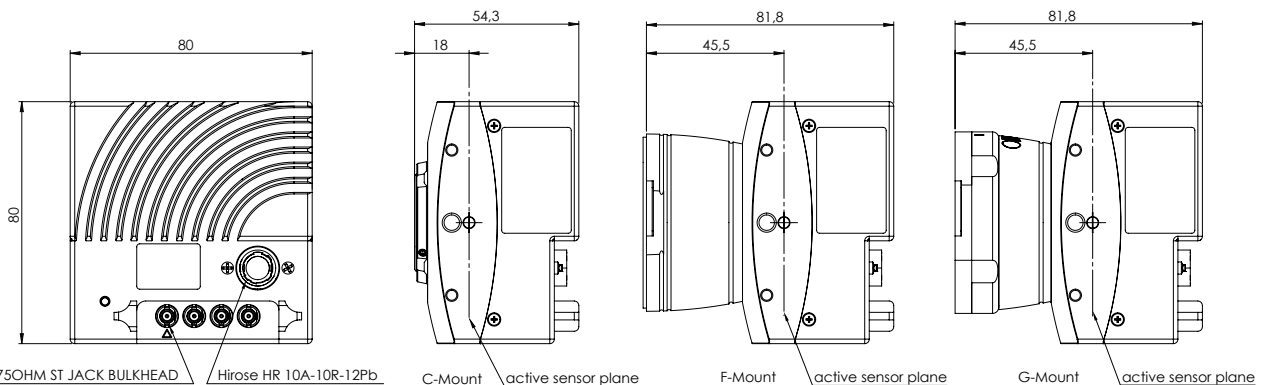
- CoaXPress lanes switchable 1, 2 or 4
- Link speed switchable down to 3,125 Gbps (CoaXPress 1.1 compatible)
- Gamma Correction
- FPN Correction

Technical Data

(More detailed specifications are available on request)

EoSens® 2.0CXP2 monochrome / color	
Resolution	2 Mpix
Active pixels	1,920 x 1,080 px
Interface	CoaXPress® @ 4 x 12.5 Gbit/s
Frame rate (8 bit)	2,220 fps
Sensor	LUX19HS
Sensor type	CMOS global shutter
Sensor format	4/3"
Pixel size	10 x 10 µm
Sensitivity	20 V/lux*s @ 550 nm
Pixel data width	10 / 8 bit
Dynamic range	60 dB
Shutter time (steps)	1 µs
Shutter time (range)	2 µs – 1 s
Max. Jitter via CXP Trigger	±4 ns
Mount options	C-Mount / F-Mount
Dimensions (W x H x L w/o mount)	80 x 80 x 53 mm
Weight (C-Mount)	450 g
Power consumption	11 W
Power supply	12 – 24 VDC
Camera body temperature	+5 °C ... +50 °C
Shock / Vibration proof	70 g / 7 grms
Conformity	CoaxPress / GenICam / CE / RoHS

Camera Body Dimensions



MIKROTRON GmbH

MIKROTRON GmbH provides a full range of high-speed imaging solutions for challenging applications in industry, engineering, science and sports. The company's extreme slow-motion recording solutions enable customers to optimize manufacturing processes, improve product design, revolutionize quality management and analyze motion.

Germany
Landshuter Str. 20-22
85716 Unterschleissheim
+49(0)89-726342-00
info@mikrotron.de
www.mikrotron.de

North America
14032 Hermosillo Way
US-Poway, CA 92064
Phone: +1-858-774-1176
steve.ferrell@mikrotron.de
www.mikrotron.de

