

# Theia

TECHNOLOGIES



## SL183 Varifocal Ultra wide No Distortion 5 Megapixel Lens



### LINEAR OPTICAL TECHNOLOGY

- ✓ Patented Linear Optical Technology® provides **ultra wide** field of view adjustable from 115° to 77° for greater coverage with fewer cameras
- ✓ **EasyZoom™** allows the user to optimize the field of view with minimal need for refocusing
- ✓ IR corrected for true **Day/Night** cameras
- ✓ Supports **multi megapixel resolution** cameras for demanding applications

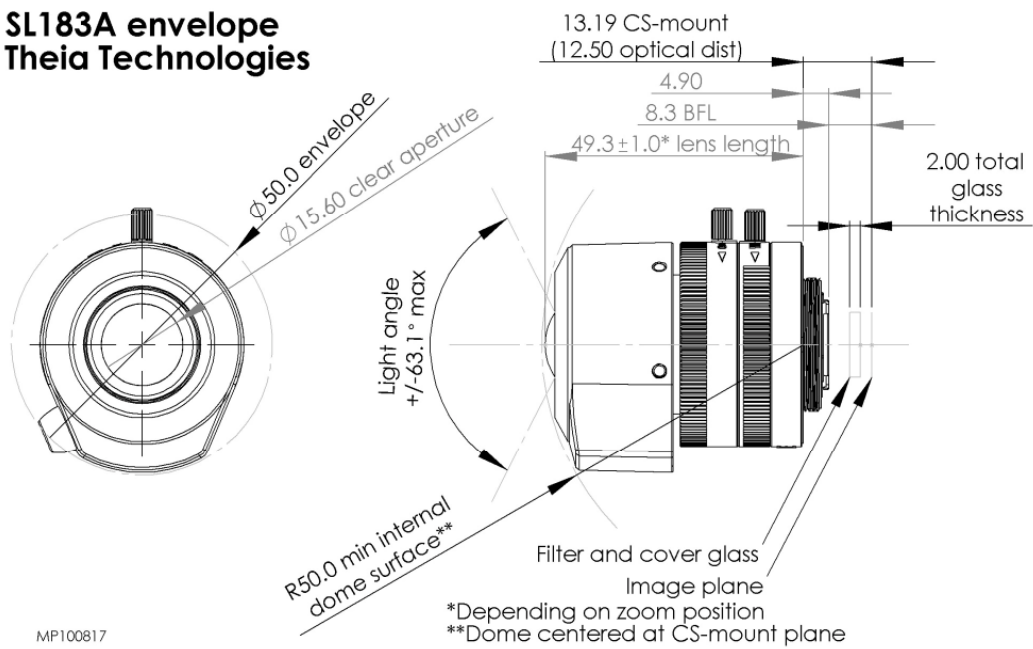


Typical wide angle lens

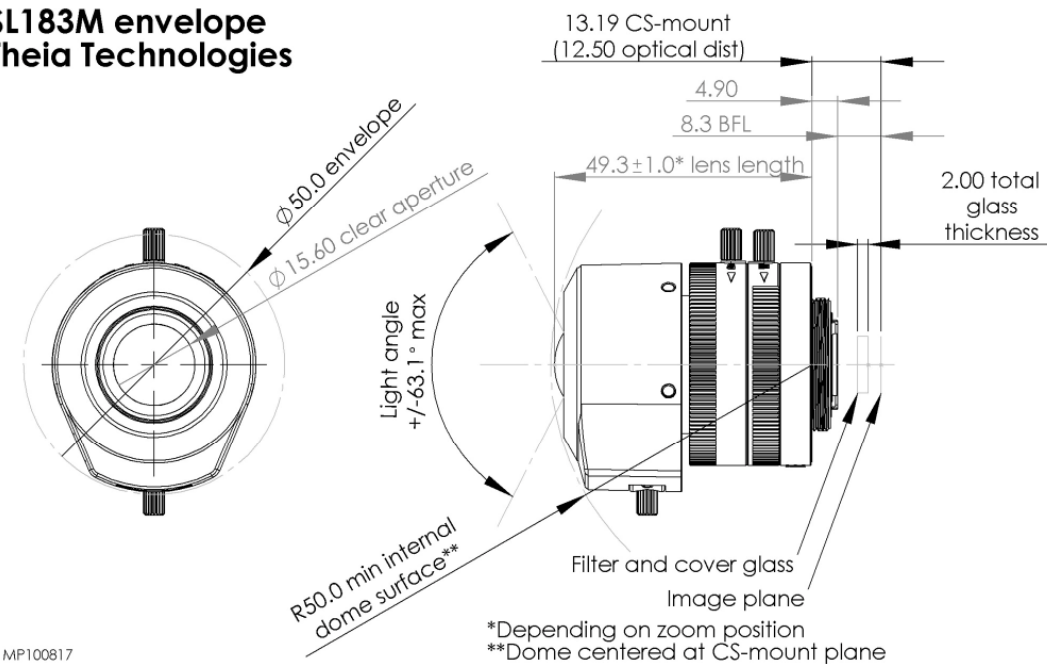
Lenses	SL183A DC-autoiris	SL183M Manual iris
Focal length	1.8-3.0mm	
Linear Optical Technology®	Yes	
Distortion	<1%	
Resolution	Up to 5MPix resolution	
F/#	F/1.8 to close	
IR Correction	Day/Night	
EasyZoom™	Yes	
Mount	CS	
Iris cable length	30cm	N/A

Sensor size	1/3"	1/2.7" HD	1/2.5"
Field of view (H)	105° - 77°	111° - 84°	115° - 88°
Field of view (V)	90° - 62°	95° - 68°	99° - 71°
Field of view (D)	117° - 90°	123° - 96°	126° - 100°

## SL183A envelope Theia Technologies



## SL183M envelope Theia Technologies



Theia Technologies in cooperation with Nittoh Kogaku K.K., Suwa, Japan

For more information, contact

**Theia Technologies**  
info@TheiaTech.com  
[www.TheiaTech.com](http://www.TheiaTech.com)  
Phone: +1-503-570-3296



[www.NittohKogaku.co.jp](http://www.NittohKogaku.co.jp)

**Theia**  
TECHNOLOGIES