



SCORPION 3D STINGER™ CAMERA

SCOPE

Scorpion Stinger™ is a family of machine vision components and products. They provide building blocks for OEM and system integrators.

Scorpion 3D Stinger™ products have focus on:

- industrial strength
- flexibility
- functionality

SPECIFICATION

The Scorpion 3D Stinger™ Camera consists of:

- an enclosure
- two cameras with lenses
- cables
- GigE switch
- DC-DC converter, input 24V, output 5V and 12V

The Scorpion 3D Stinger Camera is designed to be used in cutting-edge 3D Stereo vision applications. It is compatible with the latest 3D version of Scorpion Vision Software and locates moving objects in 3D in real-time.

The system contains two cameras with lenses, power and easy mounting. The standard unit is ready for GigE vision with an internal switch, a connection panel and an internal DC-DC conversion. The unit is fed with 24 volts. Internally 5V and 12V are available to power cameras, laser and other components.

The following standard units are available:

Article	Name	Description
STG-3D-VGA-N mm	3D Stinger VGA	3D Stinger Box with 2 Sony XCG-V60E cameras, 6,9 or 12 mm lenses, cables
STG-3D-SXGA-N mm	3D Stinger 1.3MP	3D Stinger Box with 2 Sony XCG-V97E cameras, 6,9 or 12 mm lenses, cables
STG-3D-5MP-N mm	3D Stinger 5MP	3D Stinger Box with 2 Sony XCG-5500 cameras, 6,9 or 12 mm lenses, cables

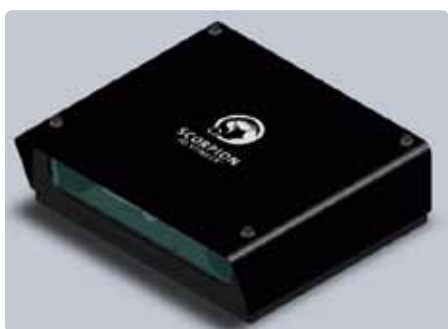
Other configurations with laser sources, different field of view and firewire cameras are available upon request. See the pricelist for a complete overview of the Scorpion 3D Stinger™ Camera components.

APPLICATION AREAS

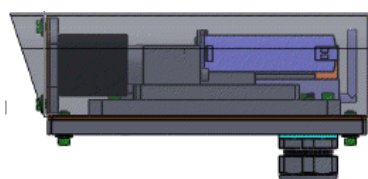
The unit is designed to be used in 3D Robot Vision, 3D Laser Triangulation and other advanced Machine Vision Solutions. The unit is designed with the highest quality and the design will save man-hours when creating 3D Machine Vision Solutions.

SOFTWARE SUPPORT

The unit is the perfect companion for Scorpion Vision 3D. Scorpion Vision Software can control multiple units from a single PC. The state-of-the-art multi-core support in Scorpion Vision Software ensures the fastest and most robust 3D Stereo Vision solutions. The unique one-push 3D calibration technology provided by Scorpion secures optimal performance and easy maintenance.



Scorpion 3D Stinger™ Camera



Side view illustration of the Scorpion 3D Stinger™ Camera..



Flexible Camera and Laser Mounting

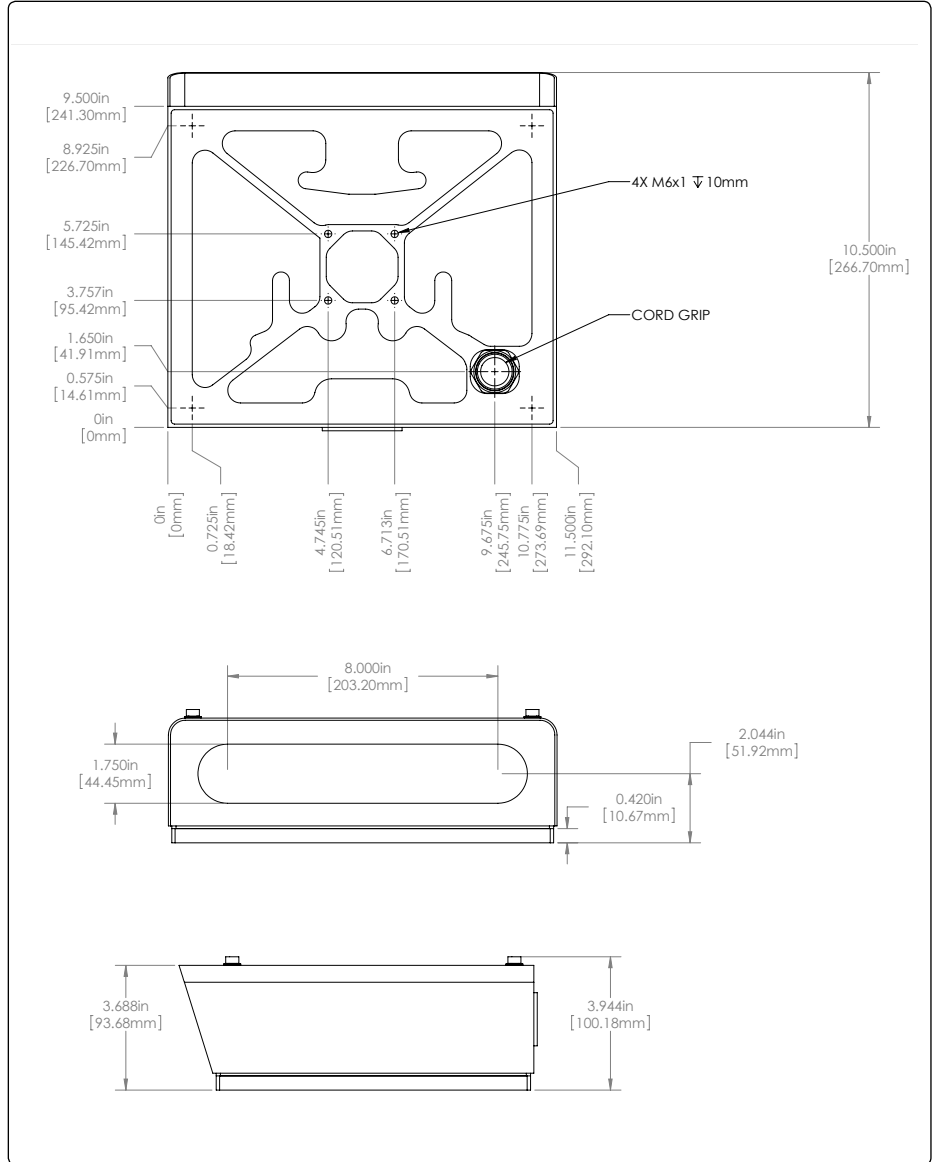


SCORPION
3D STINGER™

Tordivel as
Storgata 20, N-0184 Oslo, Norway
www.scorpionvision.com



DIMENSIONS



Housing dimensions

For more information:



TORDIVEL

Tordivel AS
Phone +47 2315 8700
Fax +47 2315 8701
office@tordivel.com
www.scorpionvision.com

Scorpion 3D Stinger™ is a trademark of Tordivel AS. © 2011 Tordivel AS