

ULISSE COMPACT IP

INTEGRATED PTZ CAMERA POSITIONING SYSTEM IP BASED

REVISION 1115



MAIN FEATURES

Compact unit with integrated Day/Night camera, P&T head and telemetry receiver

IP based, total control from network

Dual MPEG-4 stream

25fps, Full D1

Video SW Management in bundle

Integrated WEB server

Supported by Milestone Xprotect® Suite

DESCRIPTION

The ULISSE COMPACT IP is the IP-based PTZ positioning system specifically designed for outdoor installations. This high-performance positioning unit integrates a video streaming module to allow the IP control of all the PTZ functions. All video and telemetry data are converted and sent over the network for an easy management from PC via the on board software (NVR).

It is also controllable/configurable by WEB browser.

The system offers the highest video compression rate via MPEG-4 technology for live video. The max frame rate is 25fsp with max picture resolution Full D1. The recording is made directly on the PC hard disk.

It is possible to connect a joy-stick to the PC peripheral port for PTZ control.

This integrated unit has the advantage of an IP controlled system with the high performance and the perfect positioning needed for a surveillance application: fast and smooth in motion at 200° per second, the ULISSE COMPACT IP offers 360° continuous rotation, positioning accuracy and simplified system configuration.

The positioning unit can be used in several kinds of installations, such as: coast and border patrol, harbour control, urban settings, highway and traffic monitoring, stadiums, industries, prisons or military applications, and perimeter surveillance.



ULISSE COMPACT IP



ULISSE COMPACT IP + IR LED

→ FOR ALL AVAILABLE VERSIONS: CHART 166

ULISSE COMPACT IP

TECHNICAL DATA

GENERAL

Compression MPEG-4

Connection Ethernet port LAN 10/100T

Picture resolution:

- Full D1 (720x576)
- VGA (640x480)
- CIF (352x288)
- QCIF (176x144)

Image frame rate max 25fps at Full D1

Web Server

Constructed from aluminium and tecnopolymer

Epoxy polyester powder painting, RAL9002 colour

Easy installation thanks to the self-centring connector

Zero backlash

Quick configuration and setup

Dynamic positioning control system

CERTIFICATIONS

CE EN60950-1, EN61000-6-3 and EN50130-4

FCC part 15, Class B

IP66 EN60529

NEMA 4X

ACCESSORIES

UPT5WAS01C	Tank 5l (1,3gal) 230Vac washer pump
UPT5WAS02C	Tank 5l (1,3gal) 24Vac washer pump
UPTWAS01C	Tank 23l (6gal), IN 230Vac washer pump
UPTWAS02C	Tank 23l (6gal), IN 24Vac washer pump
UPTWAS03C	Tank 23l (6gal), IN 120Vac washer pump
UPTWASM	Tank 23l, washer pump 230Vac-24Vac or 120Vac, delivery up 11m (36ft)
UPTWASA01C	Tank 23l (6gal), IN 230Vac washer pump, high delivery up 30m (98ft)
UPTWASA03C	Tank 23l (6gal), IN 120Vac washer pump, high delivery up 30m (98ft)

BRACKETS AND ADAPTORS

UPTWBA	Wall bracket with internal cable channel
UPTWBTA	Parapet bracket with internal cable channel
PTCC1	Pole mount adapter for UPTWBA
WCWGC	Corner adapter for UPTWBA
UCCMA	Ceiling bracket mount for upside down working of ULISSE COMPACT IP

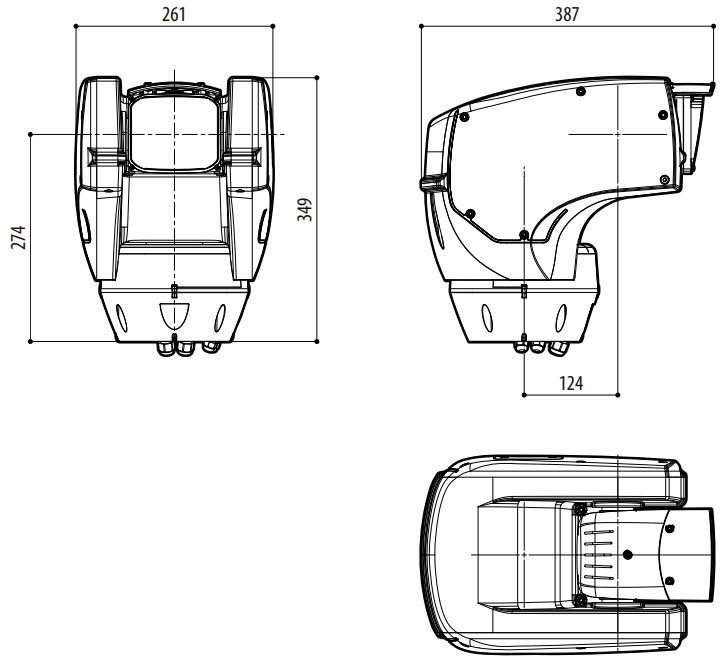
RELATED PRODUCTS

DCZ USB keyboard for management of CCTV applications from PC

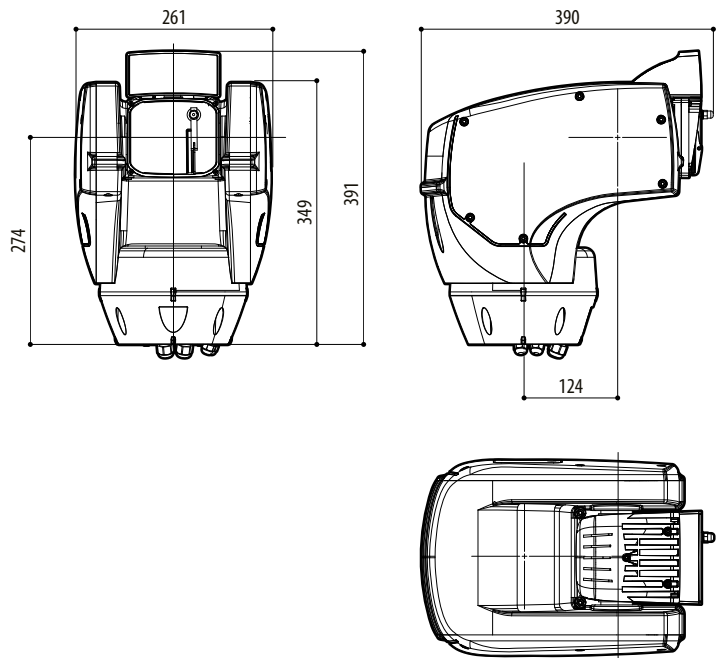
For the specifications "Available Cameras", "Mechanical", "Electrical", "Environment", "Certifications" please refer to the ULISSE COMPACT data sheet relating to this version.

PACKAGE

Code	Unit weight		Package weight		Package dimensions (WxHxL)		Master carton
	kg	lb	kg	lb	cm	in	unit
ULISSE COMPACT IP	12.5	27.6	16	35.3	66x33x57	26x13x22.5	-
ULISSE COMPACT IP+ IR	13.0	28.7	16.5	36.4	66x33x57	26x13x22.5	-



ULISSE COMPACT IP

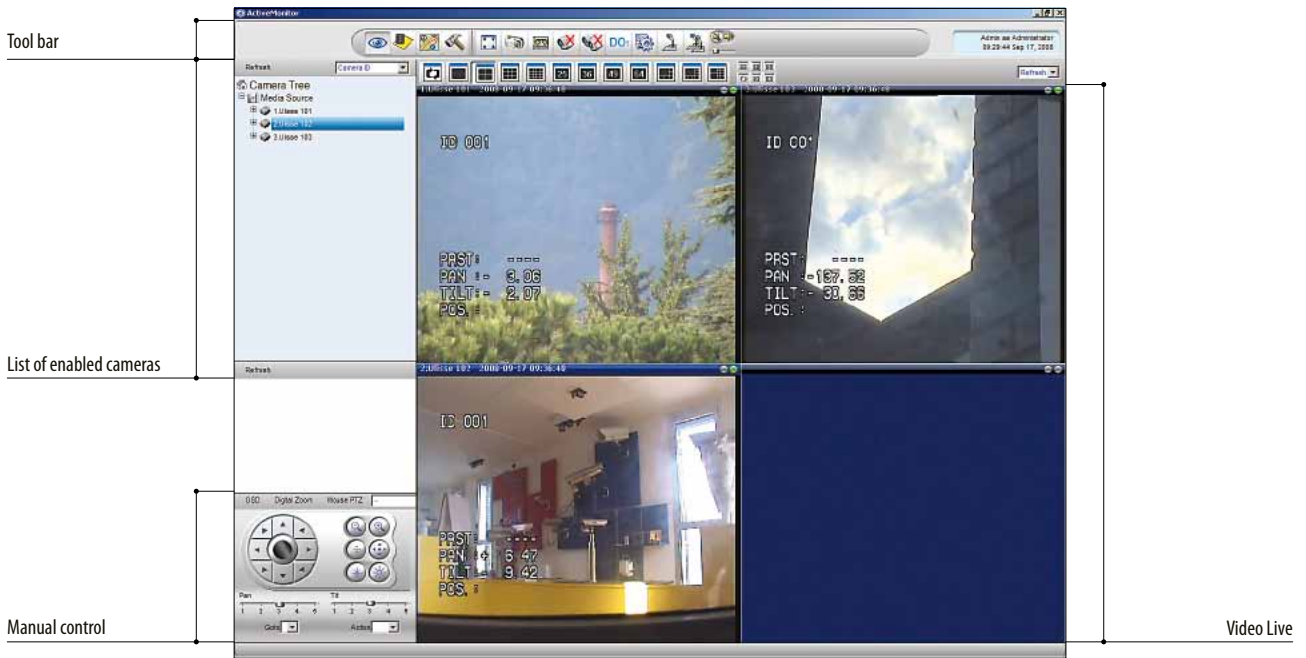


ULISSE COMPACT IP + IR

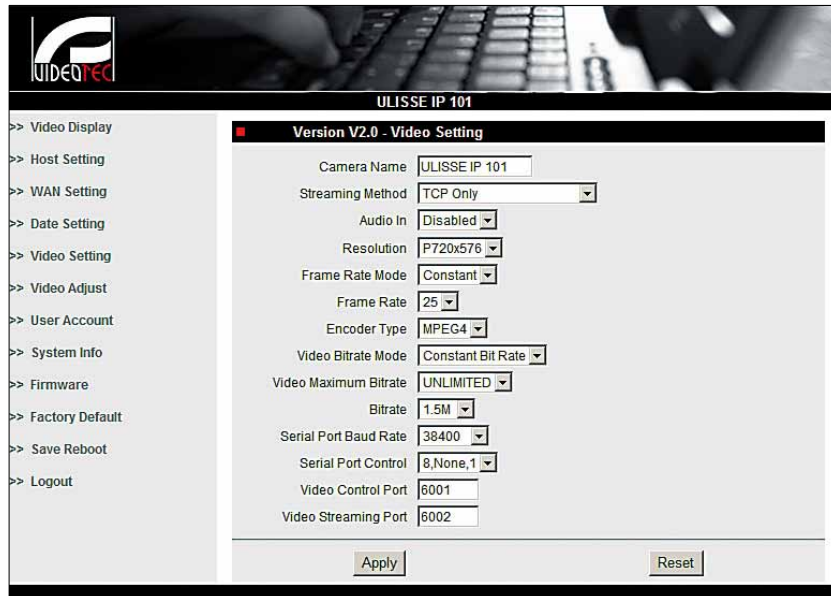
mm 1:10

ULISSE COMPACT IP

SOFTWARE AND SETUP



SCREEN EXAMPLE OF CONTROL SOFTWARE



SCREEN EXAMPLE OF BROWSER CONFIGURATION