

# ULISSE NETWORK CAM

## POSITIONING UNIT FOR NETWORK CAMERAS

REVISION 1105



### MAIN FEATURES

Positioning unit for network cameras

Horizontal continuous rotation

Variable speed: 0.1°-100°/s Pan and 0.1°-40°/s Tilt

IP66

Versions with integrated wiper and with bracket for two VIDEOTECH infrared LED illuminators for the night surveillance without rotating cables (illuminators not included)

### DESCRIPTION

ULISSE NETWORK CAM has been specifically created for applications of video surveillance in combination with network cameras, in external environments.

The best performance is achieved with network cameras having an integrated RS485 telemetry output.

The positioning system can be controlled through network, if the camera is provided with a RS485 telemetry output or through a dedicated RS485 serial line.

ULISSE NETWORK CAM supports either network cameras with integrated zoom lenses or stand alone motorized zoom lenses.

The rotation on the horizontal axis is continuous with a variable speed up to 100°/s while the amplitude on the vertical axis varies from +90° to -40° with a max speed of 40°/s.

ULISSE NETWORK CAM controls the functions of autopan and patrol with a tracking accuracy of 0.02° on preset positions upon recall. Patrol sequences can also be varied with different speed settings in order to customize a perfect patrol pattern.

ULISSE NETWORK CAM is equipped with a thermostatically controlled heater and sunshield assuring an optimal operating temperature; reinforced heater for temperature down to -30°C (-22°F) also available.

The positioning unit can be used in several kinds of installations, such as: coast and border patrol, harbour control, urban settings, highway and traffic monitoring, stadiums, industries, prisons or military applications, and perimeter surveillance.



ULISSE NETWORK CAM + WIPER



ULISSE NETWORK CAM + WIPER + IRBD

### AVAILABLE MODELS

Code	Power supply 230Vac	Power supply 24Vac	Wiper	IR bracket
UPT1SVSAY00E	•			
UPT2SVSAY00E		•		
UPT1SVWAY00E	•		•	
UPT2SVWAY00E		•	•	
UPT2SVQAY00E*		•		•
UPT2SVUAY00E*		•	•	•

\*Use UPTIRPS230 or UPTIRPS120 power supply for 230Vac or 120Vac

## ULISSE NETWORK CAM

### TECHNICAL DATA

#### GENERAL

Constructed from aluminium and ABS  
 Epoxypolyester powder painting, RAL9002 colour  
 Top mount (OTT)  
 Transmission through toothed belt  
 Slip-ring  
 Electronic limit switches  
 Plug installation thanks to connector and easy replacement on-site  
 Zero backlash  
 Wiper control over telemetry  
 Configuration of telemetry protocol parameters through dip-switch  
 Supplied with instruction manual

#### MECHANICAL

3 cable glands M16  
 Horizontal continuous rotation  
 Vertical rotation +90° to -40°  
 Variable pan speed from 0.1° up to 100°/s  
 Variable tilt speed from 0.1° up to 40°/s  
 Internal usable area: see drawings  
 Enclosure glass window (WxH): 118x75mm (4.6x2.9in)  
 Preset accuracy: 0.02°

#### ELECTRICAL

Suitable for use with network cameras with integrated telemetry output  
 Input voltage:
 

- 230Vac, 50/60Hz, 100W
- 24Vac, 50/60Hz, 100W
- 120Vac, 50/60Hz, 100W

 Built-in IR LED illuminator (option):  
 Input voltage: 24Vac, 50/60Hz, 150-190W max\*  
 \* Power consumption will vary over the time due to the intelligent IR's optical output control which compensate for LED degradation and ambient temperature fluctuations.  
 Camera power supply 12Vdc (800mA)  
 4 self-powered alarm inputs  
 2 configurable dry contacts outputs

#### COMMUNICATIONS

Ethernet IEEE 802.3 100Base-Tx connection  
 Telemetry control via RS485 serial connection, also available inside the housing

#### PROTOCOLS

AMERICAN DYNAMICS, PELCO D, VIDEOTEC MACRO, VISTA  
 AMERICAN DYNAMICS, PELCO, VISTA are registered trademarks.

The product may be interfaced with devices not manufactured by VIDEOTEC. It is possible that the interface protocols have changed or are in a different configuration from earlier tested units by VIDEOTEC. VIDEOTEC recommends a test prior to installation. VIDEOTEC will not be liable for any installation costs or lost revenues in the event a compatibility problem will occur.

#### PACKAGE

Code	Unit weight		Package weight		Package dimensions (WxHxL)		Master carton unit
	kg	lb	kg	lb	cm	in	
UPT1SVSAY00E	16.3	36.0	19.5	43	66.0x33.0x57.0	26.0x13.0x22.5	-
UPT1SVWAY00E	16.8	37.0	20.0	44	66.0x33.0x57.0	26.0x13.0x22.5	-
UPT2SVUAY00E	17.3	38.0	20.5	45	66.0x33.0x57.0	26.0x13.0x22.5	-

#### ENVIRONMENT

Indoor / Outdoor  
 Operating temperature with heater: -20°C / +60°C (-4°F / +140°F)  
 Operating temperature with reinforced heater: -30°C / +60°C (-22°F / +140°F)  
 Wind resistance
 

- Operational up to 160km/h (100mph)
- Withstands up to 210km/h (130mph)

 Resistant to salty fog (EN50130-5 and EN60068-2-52)  
 Surge immunity: up to 2KV line to line, up to 4KV line to earth (Class 4)

#### CERTIFICATIONS

EN55022:1998 + A1:2000 + A2:2003 - EN61000-3-2:2000 EN61000-3-3:1995 + A1:2001  
 Immunity: 50130-4  
 Compliance with FCC - Title 47 of the Code of Federal Regulation, Part 15  
 CE EN60950-1, EN61000-6-3 and EN50130-4  
 FCC part 15, Class B  
 IP66 EN60529

#### ACCESSORIES

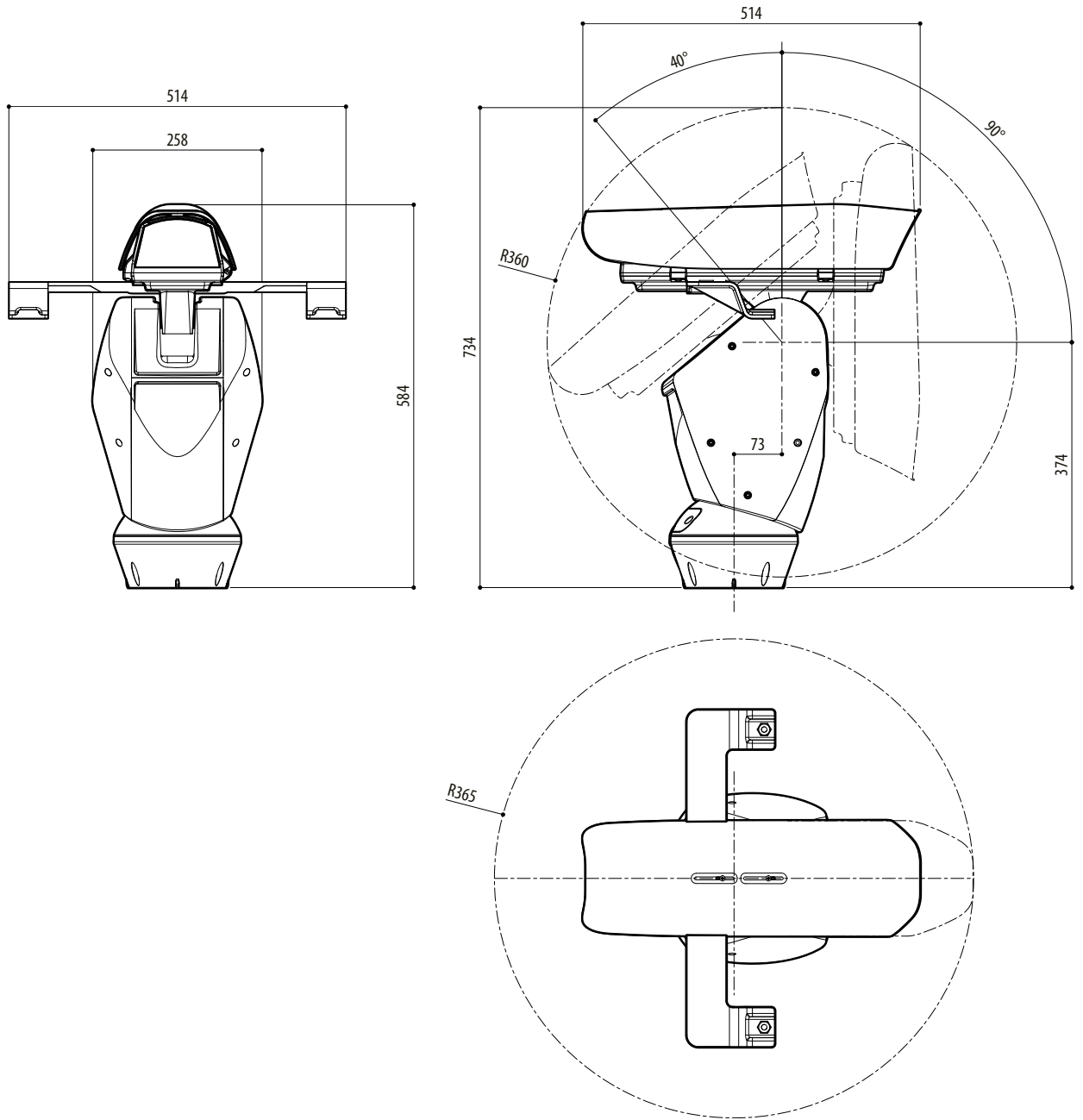
IR10BD	Infrared LED illuminator 10° 12-24Vac/dc
IR30BD	Infrared LED illuminator 30°, 12-24Vac/dc
IR60BD	Infrared LED illuminator 60°, 12-24Vac/dc
UPTIRPS230	Power supply and control IN 230VAC in weatherproof box for ULISSE NETWORK CAM with IR illuminators. Photocell included.
UPTIRPS120	Power supply and control IN 120VAC in weatherproof box for ULISSE NETWORK CAM with IR illuminators. Photocell included.
UPTJBUL	Junction weatherproof box for cables connexion (according UL norm)
UPTHT1	Reinforced heater for low temperatures, 30W
UPT5WAS01C	Tank 5l (1,3gal) 230Vac washer pump, delivery up to 5m (16ft)
UPT5WAS02C	Tank 5l (1,3gal) 24Vac washer pump, delivery up to 5m (16ft)
UPTWAS01C	Tank 23l (6gal), IN 230Vac washer pump, delivery up to 5m (16ft)
UPTWAS02C	Tank 23l (6gal), IN 24Vac washer pump, delivery up to 5m (16ft)
UPTWAS03C	Tank 23l (6gal), IN 120Vac washer pump, delivery up to 5m (16ft)
UPTWASM	Tank 23l, washer pump 230Vac-24Vac or 120Vac, delivery up to 11m (36ft)
UPTWASA01C	Tank 23l (6gal), IN 230Vac washer pump, high delivery up to 30m (98ft)
UPTWASA03C	Tank 23l (6gal), IN 120Vac washer pump, high delivery up to 30m (98ft)

#### BRACKETS AND ADAPTORS

UPTWBA	Wall bracket with internal cable channel
UPTWBTA	Parapet bracket with internal cable channel
PTCC1	Pole mount adapter for UPTWBA
WCWGC	Corner adapter for UPTWBA

#### RELATED PRODUCTS

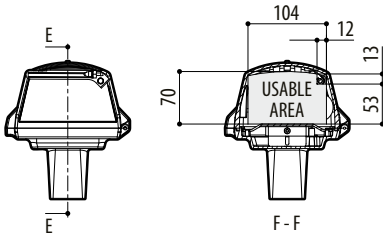
DCZ	USB keyboard for management of CCTV applications from PC
-----	--



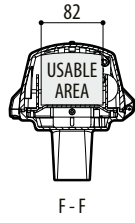
ULISSE NETWORK CAM

mm 1:10

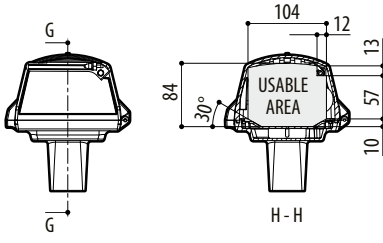
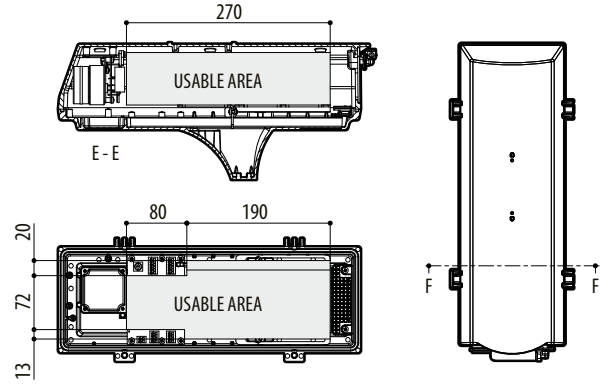
ULISSE NETWORK CAM



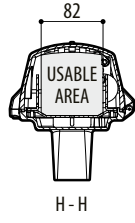
SLIDE IN STANDARD POSITION,  
INTEGRATED WIPER



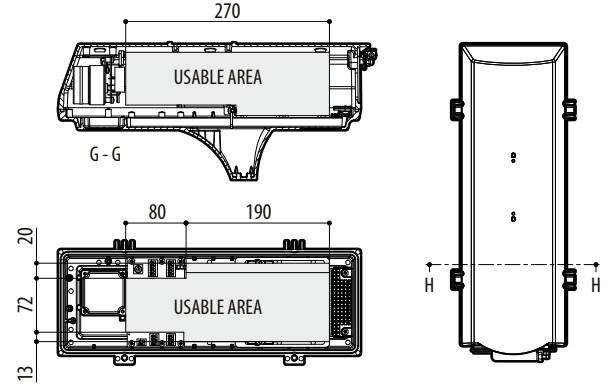
SLIDE IN STANDARD POSITION,  
INTEGRATED WIPER,  
REINFORCED HEATER



REVERSED SLIDE,  
INTEGRATED WIPER



REVERSED SLIDE,  
INTEGRATED WIPER,  
REINFORCED HEATER



HOUSING