

ULISSE PLUS

POSITIONING UNIT WITH LARGE-SIZED CAMERA HOUSING

REVISION 1107



MAIN FEATURES

P&T head integrating a large-sized housing, and telemetry receiver

Horizontal Continuous rotation

IP66

Variable speed: 0.02°-100°/s Pan and 0.02°-50°/s Tilt

Configuration through OSD (On Screen Display)

Versions with integrated wiper and with bracket for two VIDEOTECH infrared LED illuminators for the night surveillance without rotating cables (illuminators not included)

Encoder for absolute positioning

Multiprotocol

DESCRIPTION

The ULISSE PLUS integrates, in a particularly elegant design, a high performance P&T head with telemetry receiver and a bigger camera housing with integrated wiper. The housing wide dimensions allow to easily fit large zoom lenses.

The rotation on the horizontal axis is continuous with a variable speed up to 100°/s while the amplitude on the vertical axis varies from +90° to -40° with a max speed of 50°/s. ULISSE PLUS controls the functions of autopan and patrol with a tracking accuracy of 0.02° on preset positions upon recall. Patrol sequences can also be varied with different speed settings in order to customize a perfect patrol pattern.

This system is provided with incremental encoders for position feedback which guarantee an exact position control in any operating condition.

ULISSE PLUS is equipped with a thermostatically controlled heater and sunshield, assuring an optimal operating temperature.

In addition to the OSD set-up, the system is equipped with an RS232 interface allowing the possibility to update to the latest firmware version. The positioning system is controlled through RS485/RS422. The telemetry signal can be transmitted in an active way for chain configuration of several ULISSE PLUS units together.

The positioning unit can be used in several kinds of installations, such as: coast and border patrol, harbour control, urban settings, highway and traffic monitoring, stadiums, industries, prisons or military applications, and perimeter surveillance.



ULISSE PLUS



ULISSE PLUS

AVAILABLE MODELS				
Code	Power supply 230Vac	Power supply 24Vac	Wiper	IR bracket
UPT1SMSA000E	•			
UPT2SMSA000E		•		
UPT1SMWA000E	•		•	
UPT2SMWA000E		•	•	
UPT2SMQA000E*		•		•
UPT2SMUA000E*		•	•	•

* Use UPTIRPS230 or UPTIRPS120 power supply for 230Vac or 120Vac

TECHNICAL DATA

GENERAL

Constructed from aluminium and ABS
 Epoxypolyester powder painting, RAL9002 colour
 Top mount (OTT)
 Transmission through toothed belt
 Slip-ring
 Electronic limit switches
 Plug installation thanks to connector and easy replacement on-site
 Zero backlash
 Supplied with instruction manual

MECHANICAL

3 cable glands M16
 Horizontal continuous rotation
 Vertical rotation +90° to -40°
 Variable pan speed from 0.02° up to 100°/s
 Variable tilt speed from 0.02° up to 50°/s
 Internal usable area: 90x115x325mm (3.5x4.5x12.8in)
 Enclosure glass window (WxH) 124x112mm (4.9x4.4in)
 Preset accuracy: 0.02°

ELECTRICAL/VIDEO

Input voltage:

- 230Vac, 50/60Hz, 100W
- 24Vac, 50/60Hz, 100W
- 120Vac, 50/60Hz, 100W

 Absorbed current:

- 230Vac, 0.4A
- 24Vac, 4A
- 120Vac, 0.8A

Built-in IR LED illuminator (option):

Input voltage: 24Vac, 50/60Hz, 150-190W max*

* Power consumption will vary over the time due to the intelligent IR's optical output control which compensate for LED degradation and ambient temperature fluctuations.

Dimensions of input cables: AWG 16 (24Vac) -18 (120/230Vac)

Dimensions of signal cables: AWG 20-26

Housing standard heater 24Vac, 20W max

Alarm input: 10-35Vdc

Dry contacts: max 50Vdc or 30Vac @ 1A

Video line: coaxial cable (1Vpp, 750hm)

Camera power supply: 12Vdc, 800mA

Lens power supply: 6-15Vdc, max 200mA

Only polarity inversion lenses

Autopan, Preset, Patrol

250 max preset selectable (VIDEOTECH MACRO Protocol)

15 characters string for Area and Preset titling

COMMUNICATIONS

Configuration through OSD

RS232 interface for PC control set-up and firmware upgrade

2 RS485 ports for daisy chain configuration

Addressable through dip-switch up 254 units

PROTOCOLS

AMERICAN DYNAMICS, PELCO D, VIDEOTECH MACRO, VISTA, TYCO

AMERICAN DYNAMICS, PELCO, VISTA, TYCO are registered trademarks.

The product may be interfaced with devices not manufactured by VIDEOTECH. It is possible that the interface protocols have changed or are in a different configuration from earlier tested units by VIDEOTECH. VIDEOTECH recommends a test prior to installation. VIDEOTECH will not be liable for any installation costs or lost revenues in the event a compatibility problem will occur.

ENVIRONMENT

Indoor / Outdoor

Operating temperature with heater. -20°C / +60°C (-4°F / +140°F)

Wind resistance:

- Operational: up to 100km/h (62.1mph)
- Stationary: up to 210km/h (130.5mph)

Resistant to salty fog (EN50130-5 and EN60068-2-52)

Surge immunity: up to 2KV line to line, up to 4KV line to earth (Class 4)

CERTIFICATIONS

CE EN60950-1, EN61000-6-3 and EN50130-4

FCC part 15, Class B

IP66 EN60529

UL listed (pending)

UL Canadian Safety Standards listed (pending)

NEMA 4X (pending)

PACKAGE							
Code	Unit weight		Package weight		Package dimensions (WxHxL)		Master carton unit
	kg	lb	kg	lb	cm	in	
UPT1SMSA000E	16.8	37.0	20.0	43	66.0x33.0x57.0	26.0x13.0x22.5	-
UPT1SMVA000E	17.3	38.0	20.5	44	66.0x33.0x57.0	26.0x13.0x22.5	-
UPT2SMUA000E	17.8	39.0	21.0	45	66.0x33.0x57.0	26.0x13.0x22.5	-

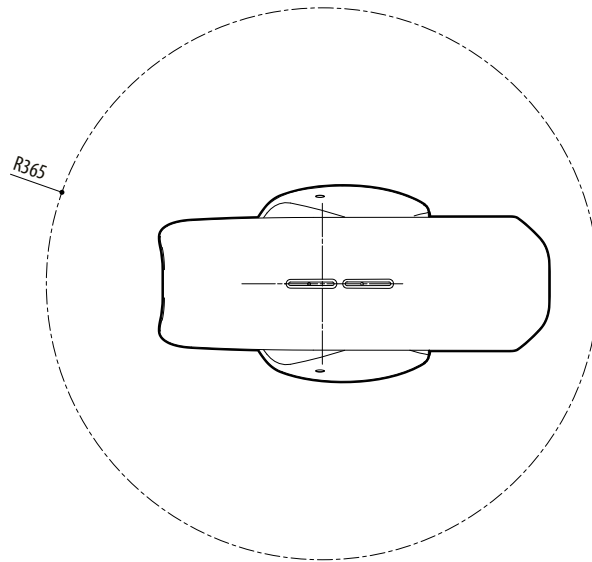
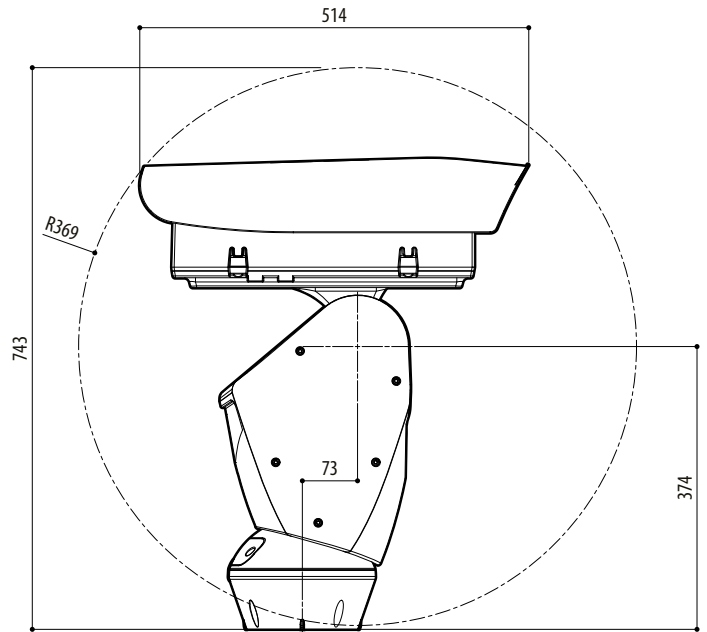
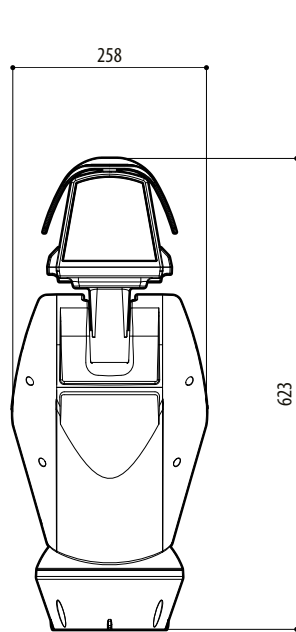
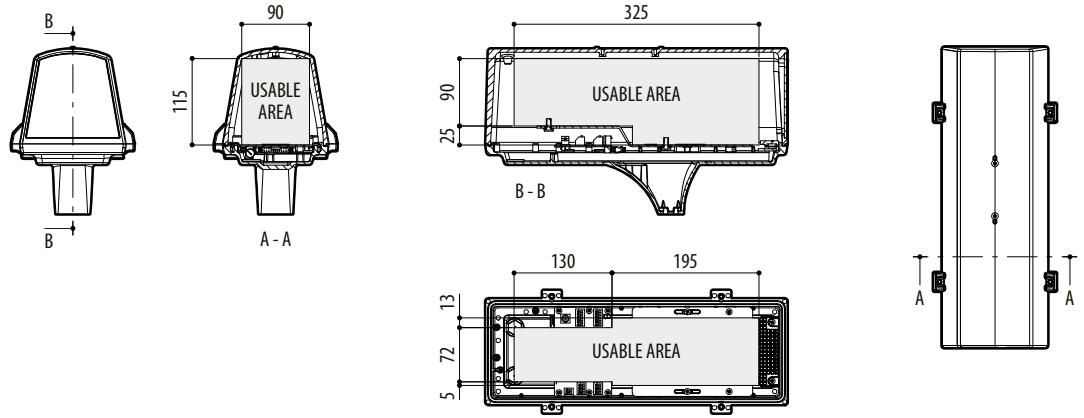
ULISSE PLUS

ACCESSORIES	
IR10BD	Infrared LED illuminator 10°, 12-24Vac/dc
IR30BD	Infrared LED illuminator 30°, 12-24Vac/dc
IR60BD	Infrared LED illuminator 60°, 12-24Vac/dc
UPTIRPS230	ULISSE PLUS external power supply and control to synchronize IR illuminators with camera Day/Night switching, IN 230Vac, in weatherproof box. Night switch included.
UPTIRPS120	ULISSE PLUS external power supply and control to synchronize IR illuminators with camera Day/Night switching, IN 120Vac, in weatherproof box. Night switch included.
UPTJBUL	Junction weatherproof box for cables connexion (according UL norm)
UPT5WAS01C	Tank 5l (1,3gal) 230Vac washer pump, delivery up to 5m (16.4ft)
UPT5WAS02C	Tank 5l (1,3gal) 24Vac washer pump, delivery up to 5m (16.4ft)
UPTWAS01C	Tank 23l (6gal), IN 230Vac washer pump, delivery up to 5m (16.4ft)
UPTWAS02C	Tank 23l (6gal), IN 24Vac washer pump, delivery up to 5m (16.4ft)
UPTWAS03C	Tank 23l (6gal), IN 120Vac washer pump, delivery up to 5m (16.4ft)
UPTWASM	Tank 23l, washer pump 230Vac-24Vac or 120Vac, delivery up to 11m (36ft)
UPTWASA01C	Tank 23l (6gal), IN 230Vac washer pump, high delivery up to 30m (98ft)
UPTWASA03C	Tank 23l (6gal), IN 120Vac washer pump, high delivery up to 30m (98ft)

BRACKETS AND ADAPTORS	
UPTWBA	Wall bracket with internal cable channel
UPTWBTA	Parapet bracket with internal cable channel
PTCC1	Pole mount adapter for UPTWBA
WCWGC	Corner adapter for UPTWBA

RELATED PRODUCTS	
ALBERT	Unit for the intelligent digital video content analysis
SM42A-SM82A	Matrix 4/8 inputs and 2 outputs
SM84B-SM164B	Matrix 8/16 inputs and 4 outputs
SM328B	Matrix 32 inputs and 8 outputs
DCJ	Keyboard to control matrix, multiplexers and telemetry equipped with three axis joystick
DCT	Touch screen keyboard to control matrix, multiplexers, DVRs and telemetry equipped with three axis joystick

ULISSE PLUS



ULISSE PLUS

mm 1:10