

Apo-Xenoplan 2.8/16

Compact C-Mount anti-shading lenses for up to 12 megapixel 1.3" sensor with micro-lens on the pixel. This 16 mm focal length lens covers an image circle of 24 mm, which enables to achieve a large field of view at a short working distance.

The lockable focus and iris setting, a robust housing and the 400 nm to 1000 nm broadband AR coating makes this lens ideal for measurement applications in factory automation.

The series of anti-shading lenses for 1.3" sensor is completed with lenses of 20 mm, 24 mm, 35 mm and 50 mm focal length.



Apo-Xenoplan 2.8/16

Key features

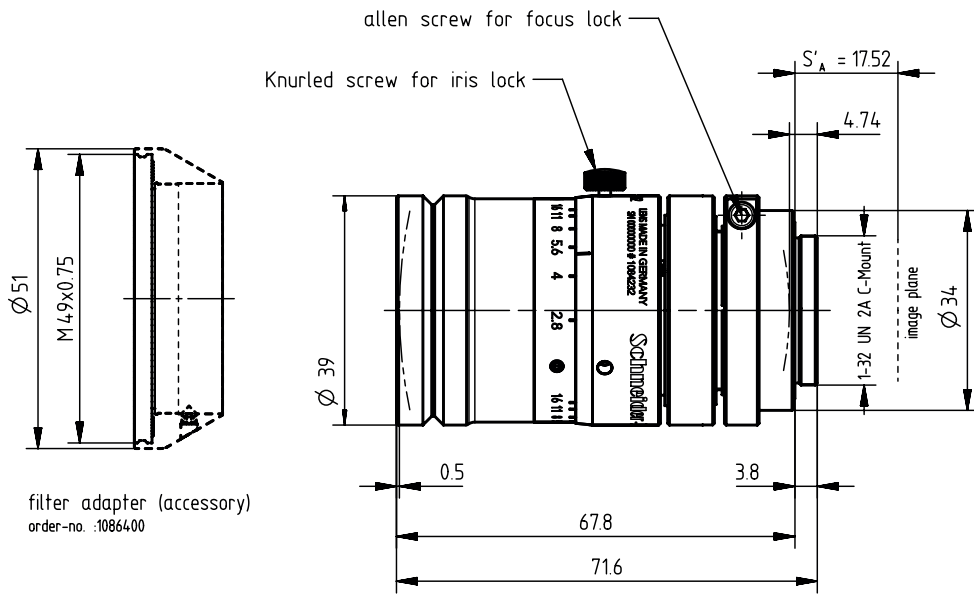
- Anti-shading lens for up to 1.3" 12 megapixel sensor with micro-lenses
- Covers 24 mm image circle
- 400 - 1000 nm broadband AR coating
- Focus and iris setting lockable

Applications

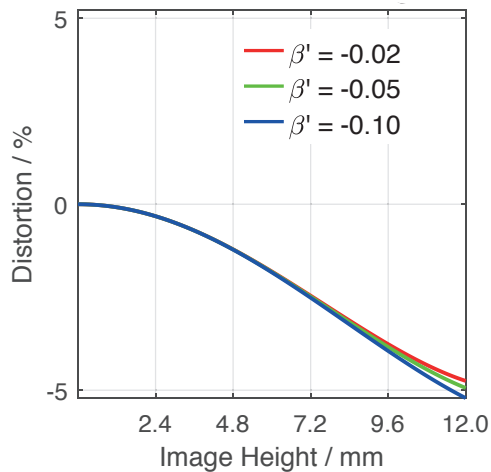
- 3D measurement
- 2D measurement
- Metrology

Name	Apo-Xenoplan 2.8/16
Type	-0002
Focal Length [mm]	16
Magnification	-0.1
Image circle [mm]	24
Resolution [μm]	3.65
F/# range	2.8 ... 16
NA	0.18
Interface	C-Mount
Working distance [mm]	152
AoV [°]	72
Focus control	manual
Transmission [nm]	400 - 1000
Filter thread [mm]	M49 x 0.75 with adapter
Dimensions L x D [mm]	71.6 x 39.0

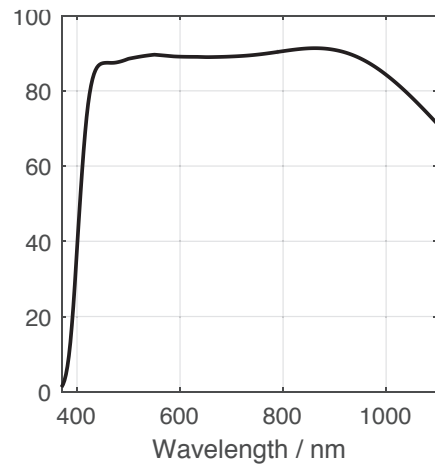
Name	Apo-Xenoplan 2.8/16
Weight [g]	204
Storage temperature [°C]	-25 ... +70
f'_{eff} [mm]	16.37
S_F [mm]	13.14
$S'_{F'}$ [mm]	17.93
HH' [mm]	38.42
β'_P	3.427
S_{EP} [mm]	17.92
S'_{AP} [mm]	-38.16
Σd [mm]	66.36
ID	1084232



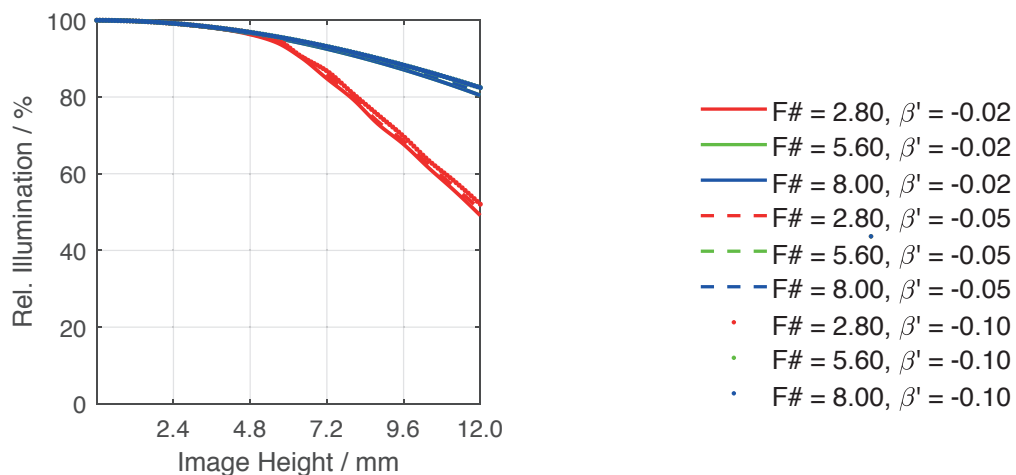
Distortion vs. Image Height



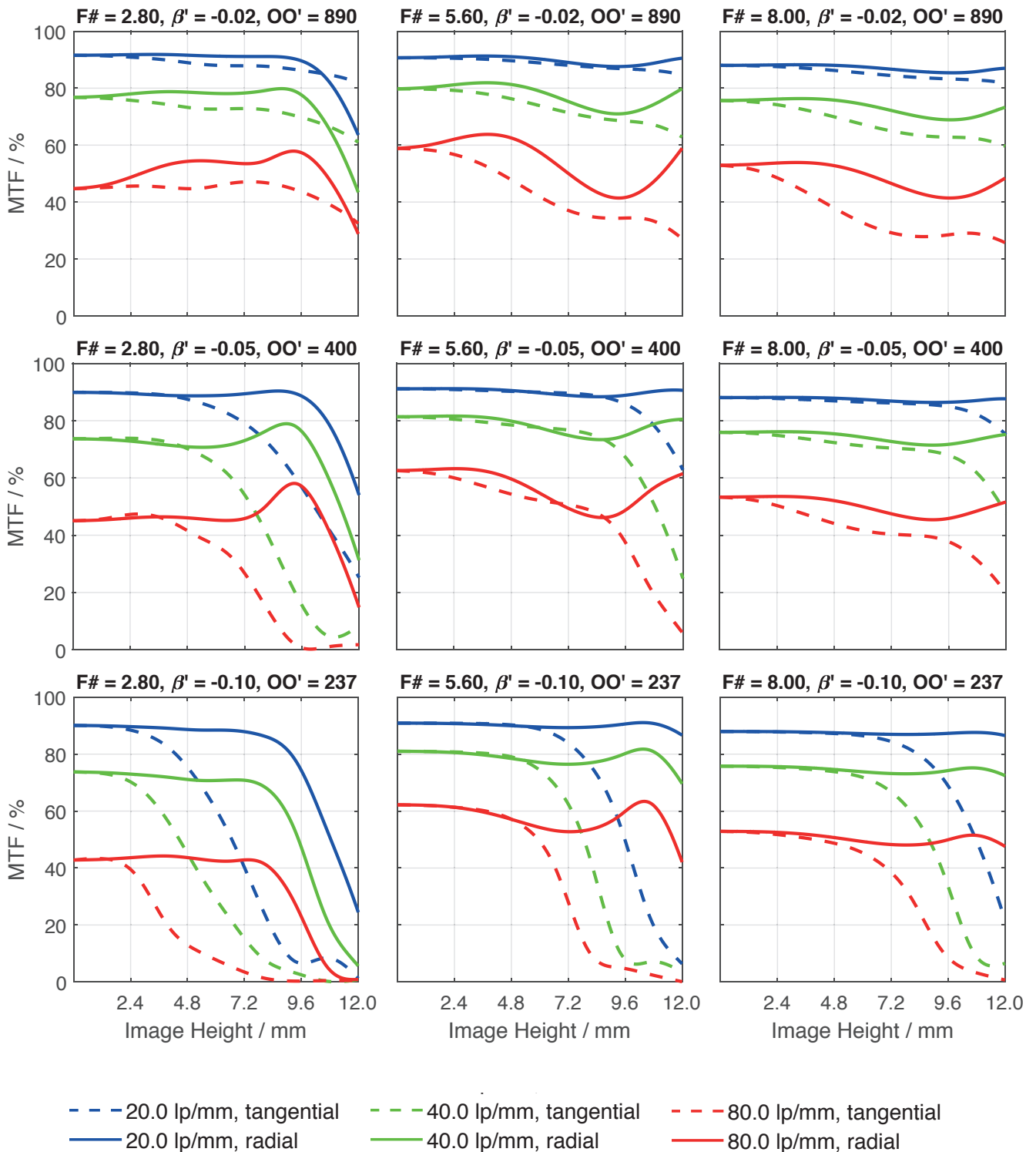
Transmittance vs. Wavelength



Relative Illumination vs. Image Height



Spectrum Name	VIS					
Wavelengths [nm]	425	475	525	575	625	675
Weights	8	16	23	22	19	13



Accessories	Mount	Length	ID
Adapter	CS-Mount Adapter	5 mm	25081
	C-Mount / M42 x 1 Adapter	-	1075817
Ext. Tube	C-Mount	5 mm	39316
	C-Mount	8 mm	39315
	C-Mount	10 mm	39312
Filter Holder	M49 x 0.75	-	1086400

Get more information

Contact our local offices



Headquarter Germany

Jos. Schneider Optische Werke GmbH

Ringstraße 132

55543 Bad Kreuznach

☎ +49 671 601 205

✉ cs@schneiderkreuznach.com

www.schneiderkreuznach.com

Offices Worldwide

China

☎ +86 755 8832 1170

✉ shawn.liu@schneider-asiapacific.com

North America

☎ +1 800 645 7239 (East Coast)

☎ +1 800 228 1254 (West Coast)

✉ info@schneideroptics.com

Singapore

☎ +65 9488 0062

✉ thongv@schneiderkreuznach.com

Compact C-Mount anti-shading lenses for up to 12 megapixel 1.3" sensor with lenslet on the pixel. This 24 mm focal length lens covers an image circle of 24 mm, which enables to achieve a large field of view at a short working distance.

The lockable focus and iris setting, a robust housing and the 400 nm to 1000 nm broadband AR coating makes this lens ideal for measurement applications in factory automation. Also available is a version with motorized p-iris.

The series of anti-shading lenses for 1.3" sensor is completed with lenses of 16 mm, 20 mm, 35 mm and 50 mm focal length.



Apo-Xenoplan 2.0/24

Key features

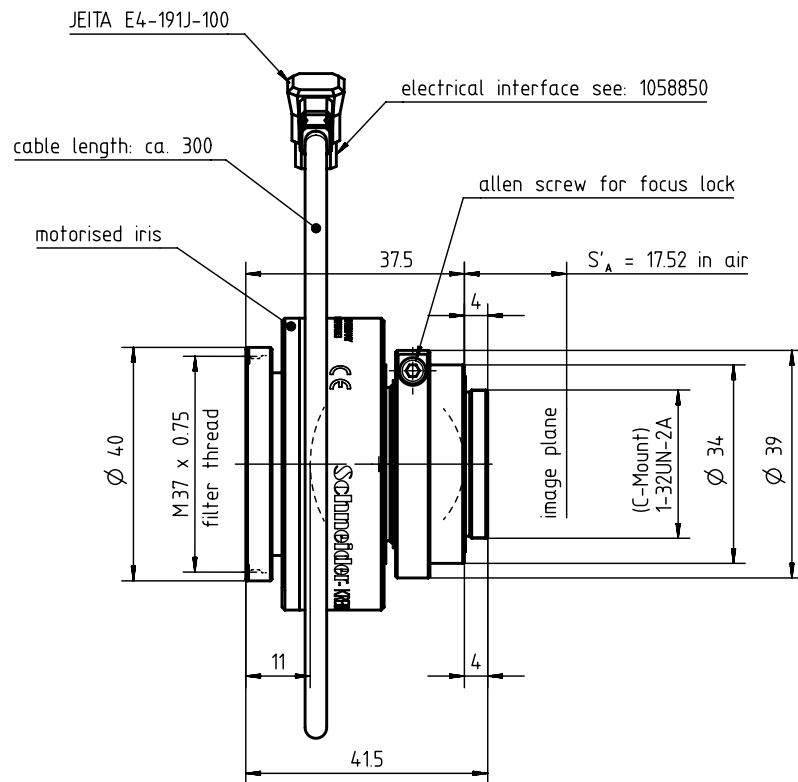
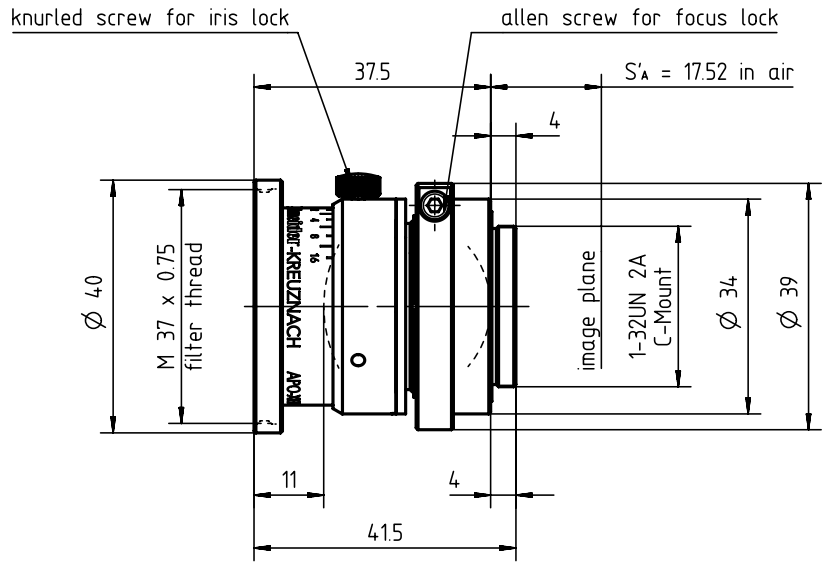
- Anti-shading lens for up to 1.3" 12 megapixel sensor with lenslet
- Covers 24 mm image circle
- Version with motorized p-iris available
- 400 - 1000 nm broadband AR coating
- Focus and iris setting lockable

Applications

- 3D measurement
- 2D measurement
- Traffic surveillance

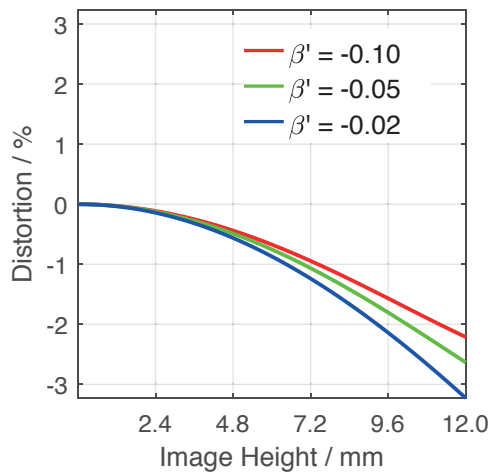
Name	Apo-Xenoplan 2.0/24
Type	-0005 -1901
Focal Length [mm]	24.51
Magnification	-0.2
Image circle [mm]	24
Resolution [μm]	3.65
F/# range	2.00 ... 16
NA	0.24
Interface	C-Mount
Working distance [mm]	113.68
AoV [$^\circ$]	52.17
Focus control	manual
Transmission [nm]	400 - 1000
Filter thread [mm]	M37 x 0.75
Dimensions L x D [mm]	41.7 x 40.0

Name	Apo-Xenoplan 2.0/24
Weight [g]	120
Storage temperature [$^\circ\text{C}$]	-25 ... +70
f'_{eff} [mm]	24.51
S_F [mm]	0.86
S'_F [mm]	18.41
HH' [mm]	-5.05
β'_p	1.938
S_{EP} [mm]	22.82
S'_{AP} [mm]	-29.77
Σd [mm]	26.42
ID	1071371
ID Motorized p-iris	1076613

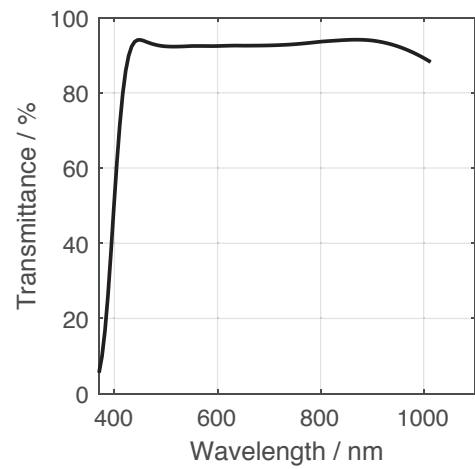


Motorized p-iris

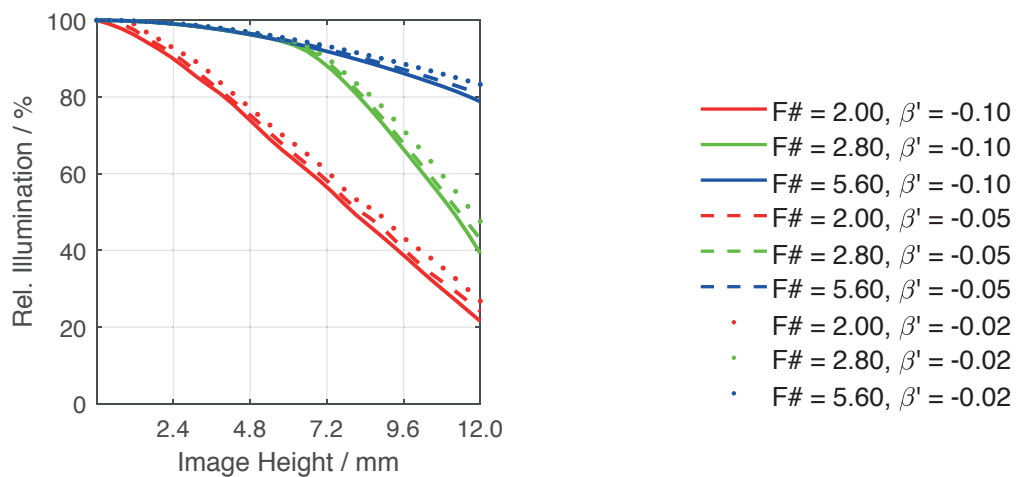
Distortion vs. Image Height



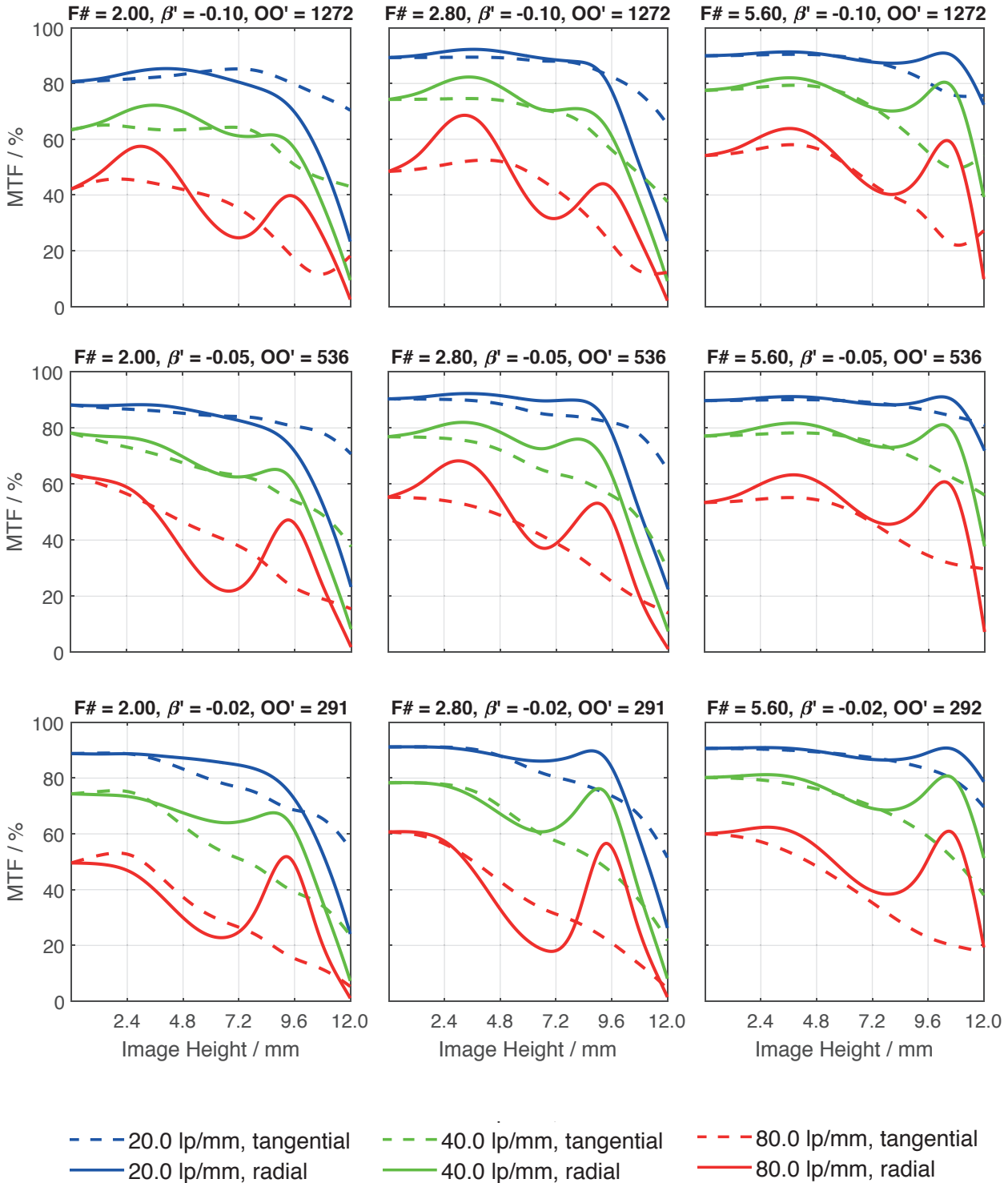
Transmittance vs. Wavelength



Relative Illumination vs. Image Height



Spectrum Name	VIS					
Wavelengths [nm]	425	475	525	575	625	675
Weights	8	16	23	22	19	13



Accessories	Mount	Length	ID
Adapter	CS-Mount Adapter	5 mm	25081
	C-Mount / M42 x 1 Adapter	-	1075817
Ext. Tube	C-Mount	5 mm	39316
	C-Mount	8 mm	39315
	C-Mount	10 mm	39312

Get more information

Contact our local offices



Headquarter Germany

Jos. Schneider Optische Werke GmbH
Ringstraße 132
55543 Bad Kreuznach
☎ +49 671 601 205
✉ cs@schneiderkreuznach.com
www.schneiderkreuznach.com

Offices Worldwide

China

☎ +86 755 8832 1170
✉ shawn.liu@schneider-asiapacific.com

North America

☎ +1 800 645 7239 (East Coast)
☎ +1 800 228 1254 (West Coast)
✉ info@schneideroptics.com

Singapore

☎ +65 9488 0062
✉ thongv@schneiderkreuznach.com

Compact C-Mount anti-shading lenses for up to 12 megapixel 1.3" sensor with lenslet on the pixel. This 20 mm focal length lens covers an image circle of 24 mm, which enables to achieve a large field of view at a short working distance.

The lockable focus and iris setting, a robust housing and the 400 nm to 1000 nm broadband AR coating makes this lens ideal for measurement applications in factory automation.

The series of anti-shading lenses for 1.3" sensor is completed with lenses of 16 mm, 24 mm, 35 mm and 50 mm focal length.



Apo-Xenoplan 2.0/20

Key features

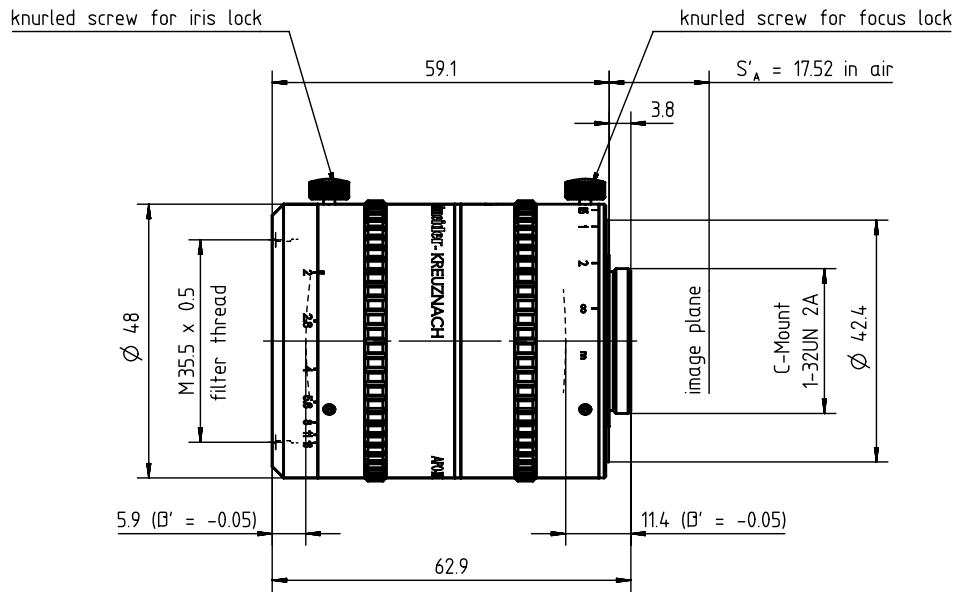
- Anti-shading lens for up to 1.3" 12 megapixel sensor with lenslet
- Covers 24 mm image circle
- 400 - 1000 nm broadband AR coating
- Focus and iris setting lockable

Applications

- 3D measurement
- 2D measurement
- Metrology

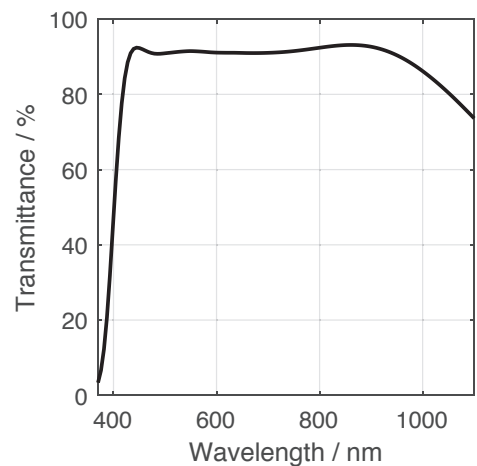
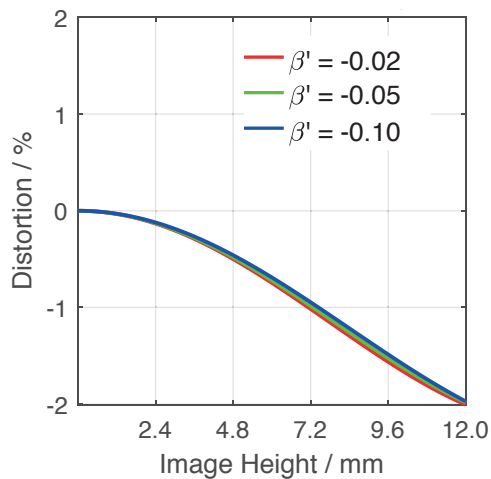
Name	Apo-Xenoplan 2.0/20
Type	-0003
Focal Length [mm]	20.52
Magnification	-0.1
Image circle [mm]	24
Resolution [μm]	3.65
F/# range	2.00 ... 16
NA	0.25
Interface	C-Mount
Working distance [mm]	1015.80
AoV [$^\circ$]	60.67
Focus control	manual
Transmission [nm]	400 - 1000
Filter thread [mm]	M35.5 x 0.5
Dimensions L x D [mm]	59.1 x 48.0

Name	Apo-Xenoplan 2.0/20
Weight [g]	450
Storage temperature [$^\circ\text{C}$]	-25 ... +70
f'_{eff} [mm]	20.52
S_F [mm]	5.62
$S'_{F'}$ [mm]	24.36
HH' [mm]	23.37
β'_P	2.969
S_{EP} [mm]	12.53
S'_{AP} [mm]	-36.75
Σd [mm]	45.68
ID	1056472

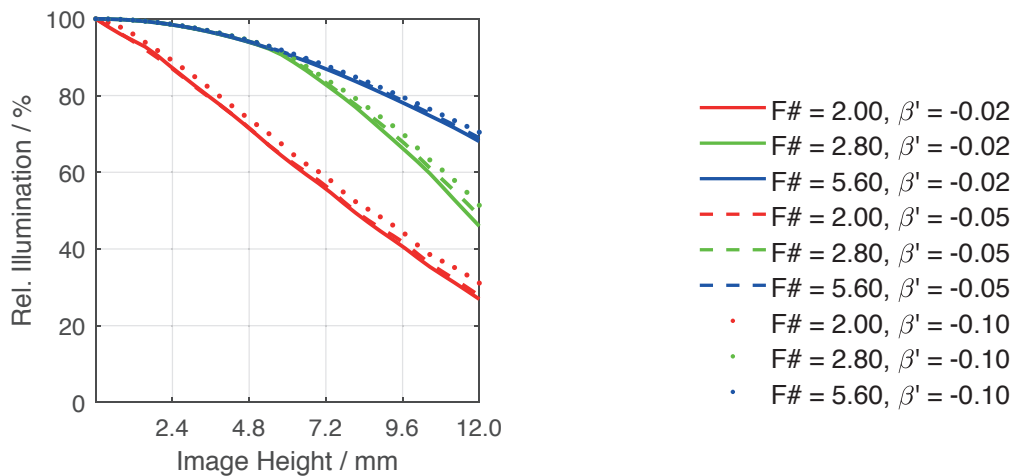


Distortion vs. Image Height

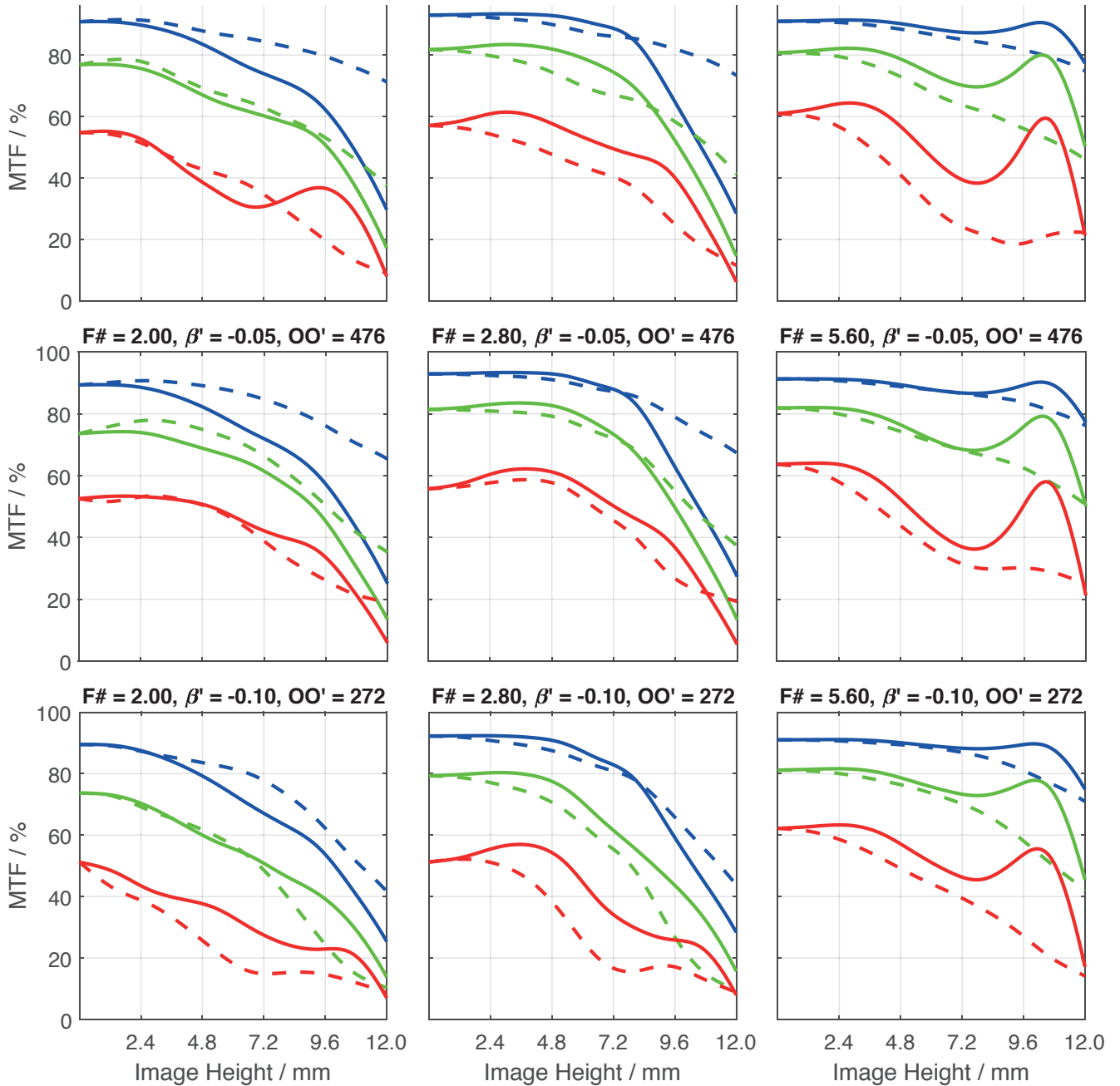
Transmittance vs. Wavelength



Relative Illumination vs. Image Height



Spectrum Name	VIS					
Wavelengths [nm]	425	475	525	575	625	675
Weights	8	16	23	22	19	13



Accessories	Mount	Length	ID
Adapter	CS-Mount Adapter	5 mm	25081
	C-Mount / M42 x 1 Adapter	-	1075817
Ext. Tube	C-Mount	5 mm	39316
	C-Mount	8 mm	39315
	C-Mount	10 mm	39312

Get more information

Contact our local offices



Headquarter Germany

Jos. Schneider Optische Werke GmbH
Ringstraße 132
55543 Bad Kreuznach
☎ +49 671 601 205
✉ cs@schneiderkreuznach.com
www.schneiderkreuznach.com

Offices Worldwide

China

☎ +86 755 8832 1170
✉ shawn.liu@schneider-asiapacific.com

North America

☎ +1 800 645 7239 (East Coast)
☎ +1 800 228 1254 (West Coast)
✉ info@schneideroptics.com

Singapore

☎ +65 9488 0062
✉ thongv@schneiderkreuznach.com

Compact C-Mount anti-shading lenses for up to 12 megapixel 1.3" sensor with lenslet on the pixel. This 35 mm focal length lens covers an image circle of 24 mm, which enables to achieve a large field of view at a short working distance.

The lockable focus and iris setting, a robust housing and the 400 nm to 1000 nm broadband AR coating makes this lens ideal for measurement applications in factory automation.

A version with motorized p-iris is available on request. The series of anti-shading lenses for 1.3" sensor is completed with lenses of 16 mm, 20 mm, 24 mm and 50 mm focal length.



Apo-Xenoplan 2.0/35

Key features

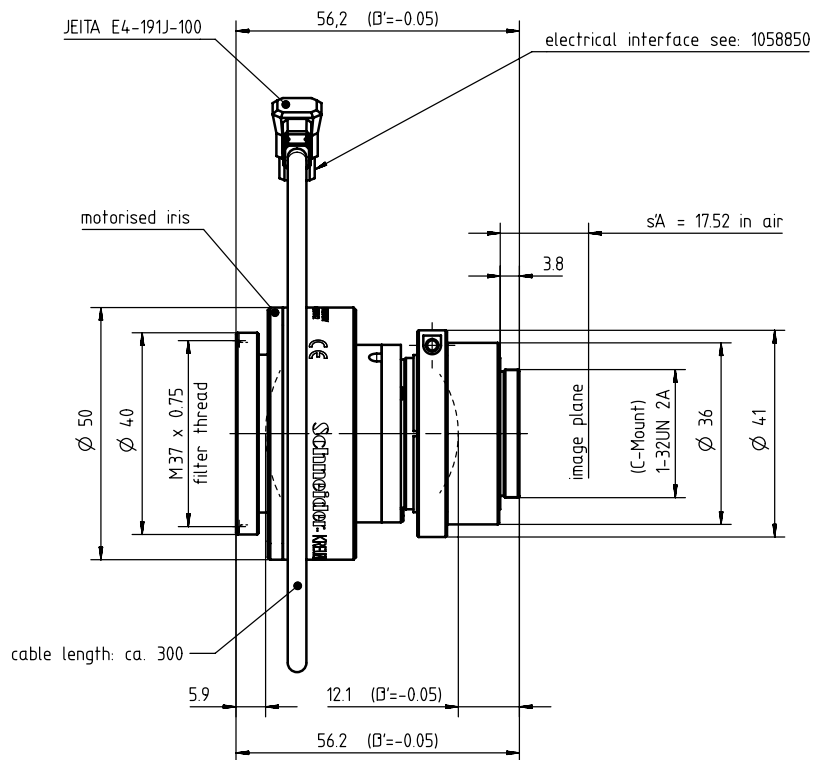
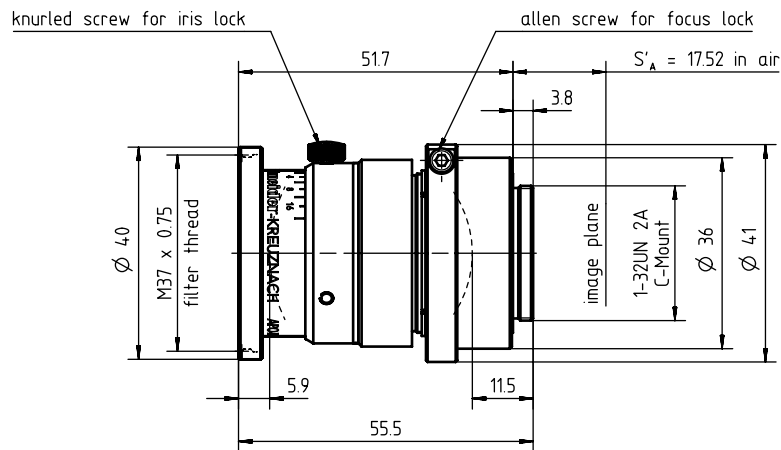
- Anti-shading lens for up to 1.3" 12 megapixel sensor with lenslet
- Covers 24 mm image circle
- Version with motorized p-iris on request
- 400 - 1000 nm broadband AR coating
- Focus and iris setting lockable

Applications

- 3D measurement
- 2D measurement
- Traffic surveillance

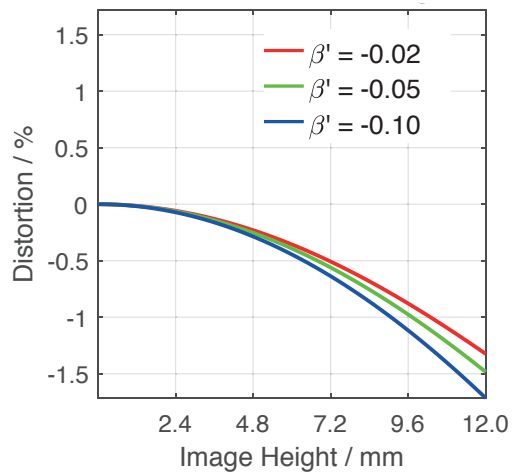
Name	Apo-Xenoplan 2.0/35
Type	-2001 -1901
Focal Length [mm]	35
Magnification	-0.2
Image circle [mm]	24
Resolution [μm]	3.65
F/# range	2 ... 11
NA	0.25
Interface	C-Mount
Working distance [mm]	∞ - 173
AoV [°]	37
Focus control	manual
Transmission	400 - 1000 nm
Filter thread [mm]	M37 x 0.75
Dimensions L x D [mm]	57.3 x 50.0

Name	Apo-Xenoplan 2.0/35
Weight [g]	204
Storage temperature [°C]	-25°C ... +70°C
f'_{eff} [mm]	35.08
S_F [mm]	1.63
$S'_{F'}$ [mm]	25.18
HH' [mm]	-8.38
β'_P	1.981
S_{EP} [mm]	19.34
S'_{AP} [mm]	-44.29
Σd [mm]	38.22
ID	1006219
ID Motorized p-iris	1076612

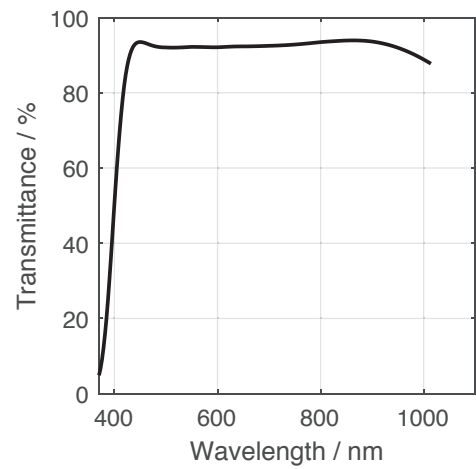


Motorized p-iris

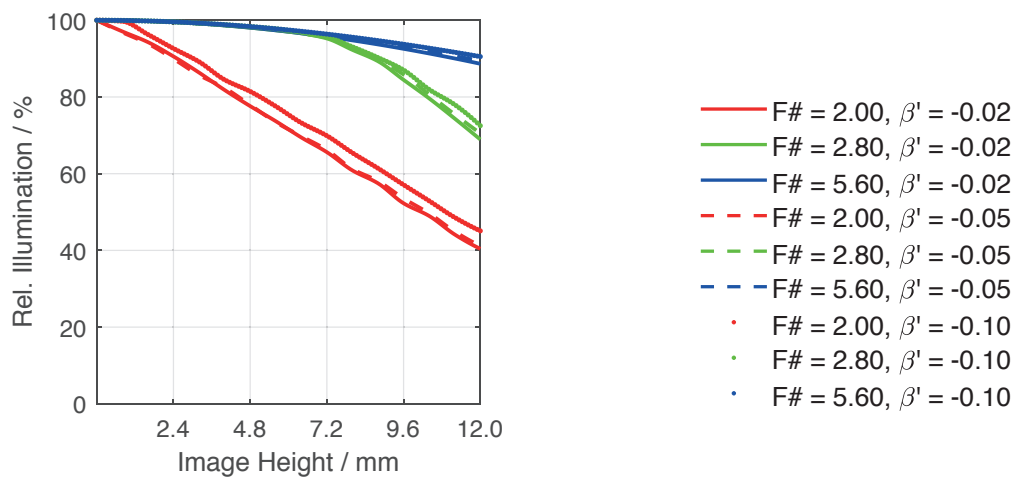
Distortion vs. Image Height



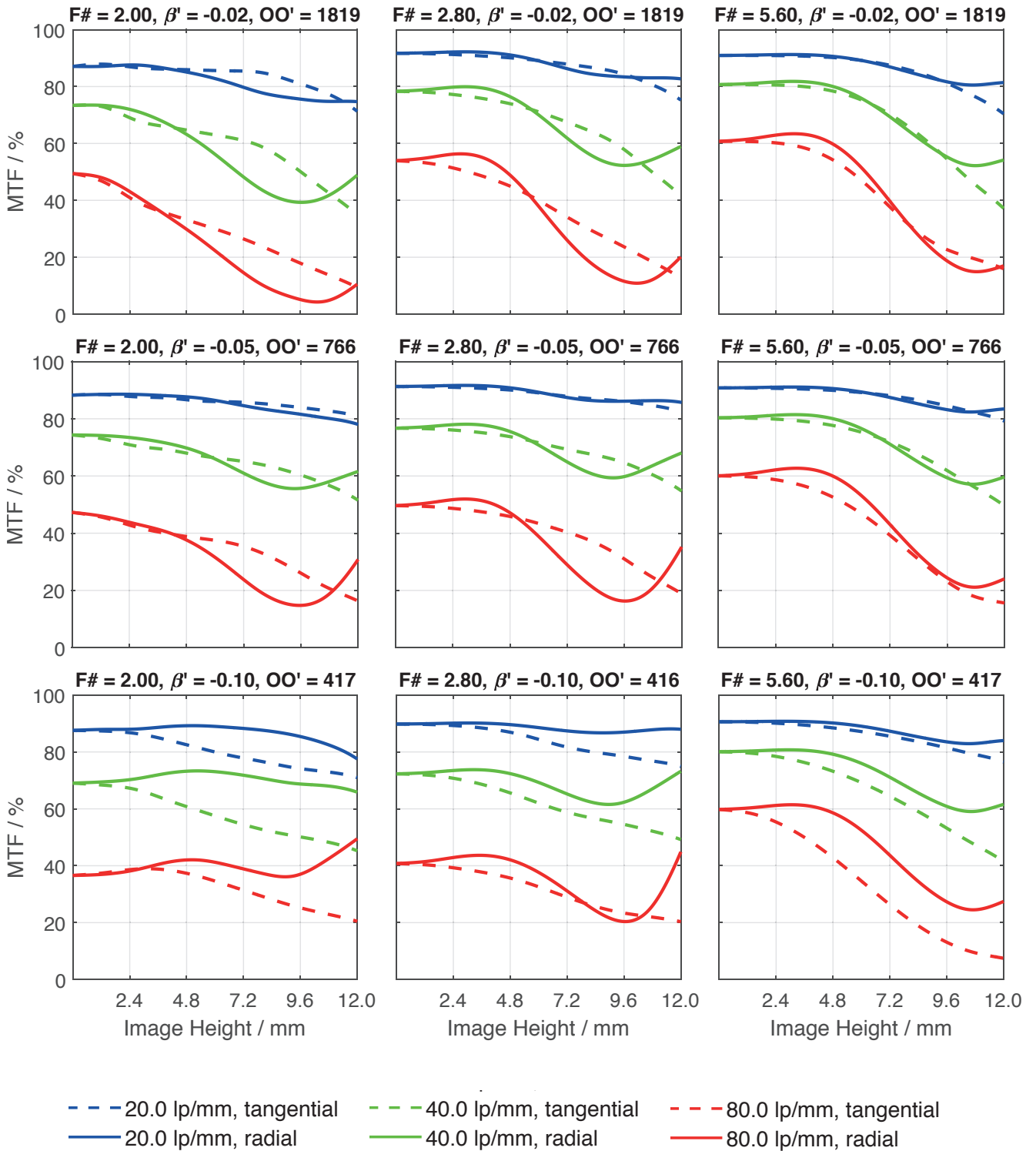
Transmittance vs. Wavelength



Relative Illumination vs. Image Height



Spectrum Name	VIS					
Wavelengths [nm]	425	475	525	575	625	675
Weights	8	16	23	22	19	13



Accessories	Mount	Length	ID
Adapter	CS-Mount Adapter	5 mm	25081
	C-Mount / M42 x 1 Adapter	-	1075817
Ext. Tube	C-Mount	5 mm	39316
	C-Mount	8 mm	39315
	C-Mount	10 mm	39312

Get more information

Contact our local offices



Headquarter Germany

Jos. Schneider Optische Werke GmbH
Ringstraße 132
55543 Bad Kreuznach
☎ +49 671 601 205
✉ cs@schneiderkreuznach.com
www.schneiderkreuznach.com

Offices Worldwide

China

☎ +86 755 8832 1170
✉ shawn.liu@schneider-asiapacific.com

North America

☎ +1 800 645 7239 (East Coast)
☎ +1 800 228 1254 (West Coast)
✉ info@schneideroptics.com

Singapore

☎ +65 9488 0062
✉ thongv@schneiderkreuznach.com