

WAT-30HD (G3.7) 1/3" Ultra Compact HD-SDI Color Camera

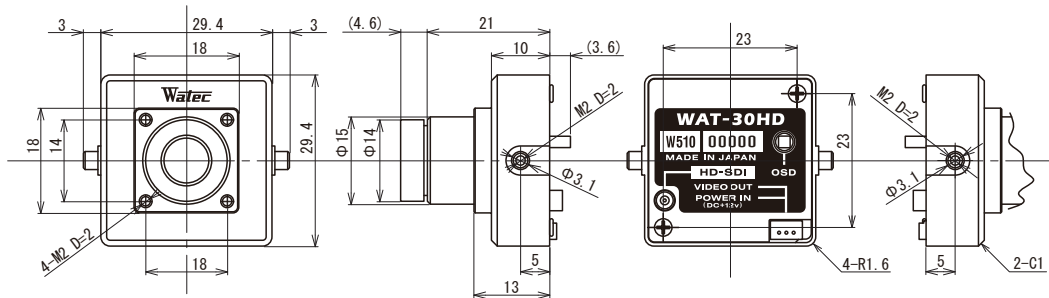
Ultra small design with Full HD 1920×1080p CMOS sensor



Key features

- Only 30mm square with 35g achieves 2.1 Megapixel HD-SDI
- "Double shutter" & "Digital" wide dynamic range selectable
- Advanced setting available by OSD (On screen display) through on-camera joystick
- SD/analogue output for checking image at set up
- Various optional M12 lenses available

Dimensions



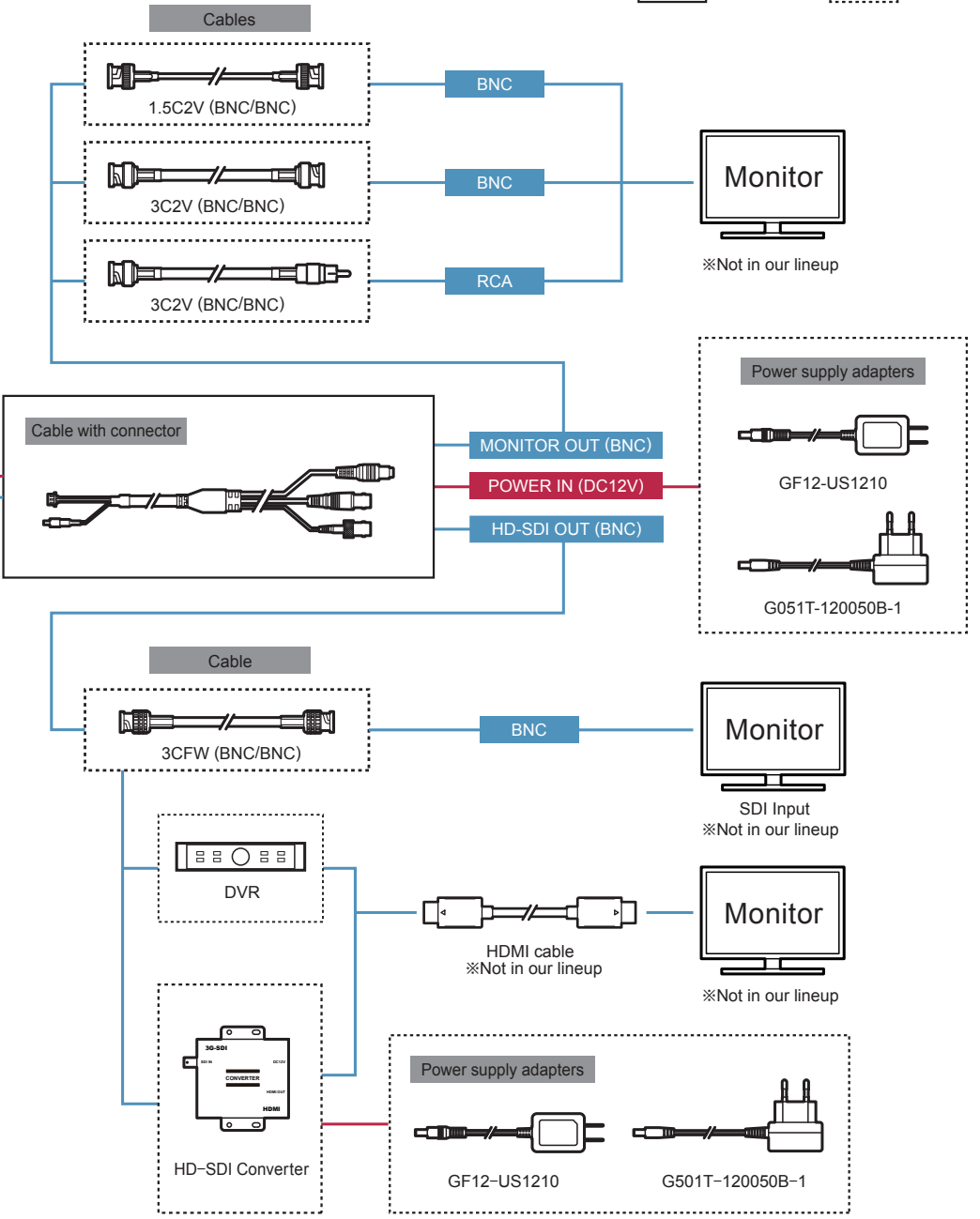
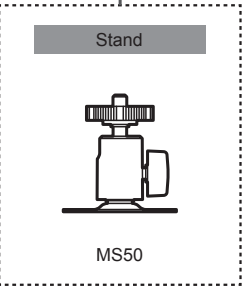
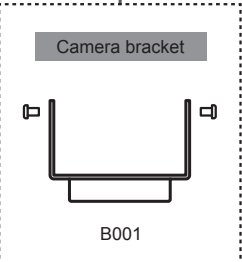
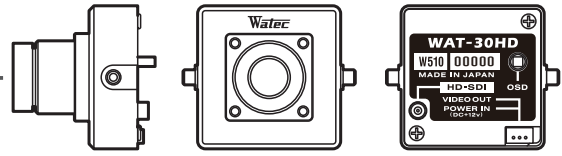
Specifications

Pick-up element	1/3 inch CMOS image sensor	
Number of effective pixels	1944(H) × 1092(V)	
Unit cell size	2.75 μm × 2.75 μm	
Imaging system	RGB primary color bayer arrangement mosaic filters on chip	
Synchronizing system	Internal	
Scanning system	Progressive	
Video outputs	HD-SDI / Composite video	
Output format	1080/30p, 1080/25p, 720/60p, 720/50p, NTSC, PAL	
Resolution (H)	900TVL	
Minimum Illumination	0.1lx F1.8 (DSS=OFF), 0.01lx F1.8 (DSS=MAX)	
S/N	More than 52dB	
Function settings	OSD (On Screen Display) operated by joystick	
AE mode	AUTO, MANUAL, FLICKER	
Shutter speed	1/30, 1/60, 1/120, 1/250, 1/500, 1/1000, 1/2000, 1/4000, 1/8000, 1/16000, 1/30000, 1/60000 sec.	
Slow shutter	OFF, x2, x4, x8, x16, x32	
White balance	AUTO, AUTO EXT, PUSH LOCK, MANUAL	
AGC	12 - 60dB	
Day/Night	AUTO, COLOR, B&W	
3D Noise reduction	OFF, LOW, MIDDLE, HIGH	
Wide dynamic range	Double shutter	ON / OFF
	Digital	ON / OFF
Back light compensation	ON (Area selectable) / OFF	
White blemish correction	Yes	
Defog	ON (LOW, MIDDLE, HIGH) / OFF	
Digital zoom	1.0x - 20.0x	
Privacy mask	16 masks	
Mirror image	OFF, H-FLIP, V-FLIP, HV-FLIP	
Motion detection	ON / OFF	
HLMASK	ON / OFF	
Power supply	DC+12V±10%	
Power consumption	1.44W (120mA)	
Operating temperature	-10 - +50°C	
Storage temperature	-20 - +60°C	
Operating / Storage humidity	80% RH or less / 95% RH or less (Without condensation)	
Lens mount	M12	
Weight	Approx. 35.5g	
Accessory	Cable	

Accessories Options

WAT-30HD (G3.7)

- Miniature lenses
- M2520BC-12
 - M2920BC-12
 - M3718BC-12 (Standard)
 - M4318BC-12
 - M0620BC-12
 - M0820BC-12



For more information please contact:



BOCK OPTONICS INC.
 14 Steinway Blvd., Unit 7
 Toronto, Ontario M9W 6M6
 Tel: (416) 674-2804
sales@bockoptronics.ca
www.bockoptronics.ca