

WAT-1200CS 1/3.2" High Sensitivity Miniature Camera with Day&Night

1/3.2" BSI CMOS sensor

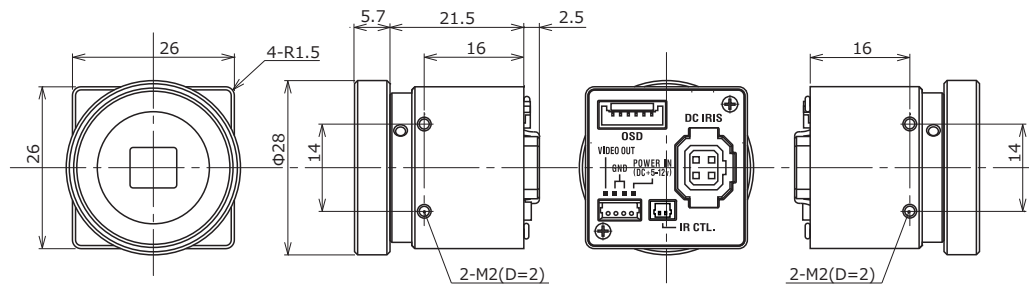
NEW



Key features

- High sensitivity min. illumination 0.002 lx F1.2 (AGC 54dB)
- Ultra-compact design only 26 x 26 x 30 mm
- Wide dynamic range, ICR Mechanical less Day/Night function
 ※Advanced setting available by OSD (On Screen Display) through an optional controller

Dimensions

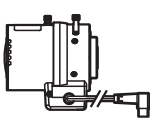


Specifications

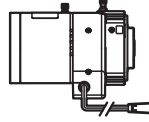
Video standard		NTSC	PAL
Pick-up element		1/3.2 inch BSI CMOS image sensor	
Number of effective pixels		1280(H)×960(V)	1280(H)×924(V)
Unit cell size		3.5μm(H)×3.5μm(V)	
Imaging system		RGB+W array mosaic filters on chip	
Synchronizing system		Internal	
Scanning system		Progressive	
Video output		Composite: 1.0 V(p-p) 75Ω (Unbalanced)	
Resolution (H)		More than 750TVL (Center)	
Minimum illumination		0.002 lx F1.2 (AGC=54dB)	
S/N		More than 55dB (AGC=OFF, γ=1.0)	
Function settings		OSD (On Screen Display) operated by remote controller	
AE mode	Fixed	1/60 sec.	1/50 sec.
		1/100, 1/120, 1/125, 1/250, 1/500, 1/1000, 1/2000, 1/4000, 1/8000, 1/10000, 1/20000, 1/50000, 1/100000 sec.	
	EI	1/60 - 1/100000 sec.	1/50 - 1/100000 sec.
White balance		ATW, PUSH, USER1, USER2, MANUAL, PUSH LOCK	
AGC		0 - 54dB	
MGC		MIN, 6, 12, 18, 24, 30, 36, 42, 48, MAX dB	
Day / Night		ICR mechaless Day/Night	
Gamma characteristics		γ≈0.45	
Noise reduction		2DNR ON (Level adjustable)	
Wide dynamic range		Multiple exposure WDR: ON (Level selectable) / OFF ATR : ON (Level selectable) / OFF	
Lens iris		DC	
Back light compensation		OFF / BLC / HLC	
Defog		OFF / AUTO (Correction level selectable)	
Privacy mask		16masks	
Mirror image		OFF / H-FLIP / V-FLIP / HV-FLIP	
Sharpness		0 - 255 (SHARPNESS)	
Power supply		DC+5V - 12V	
Power consumption		0.6W/120mA(DC+5V), 0.72W/60mA(DC+12V)	
Operating temperature		-10 - +50°C	
Storage temperature		-30 - +70°C	
Operating / Storage humidity		95% RH or less (Without condensation)	
Lens mount		CS mount	
Weight		Approx. 22g	
Accessories		AIC-G (Iris plug), 4P cable, 2P cable, Camera bracket, Hex. wrench	

Accessories
 Options

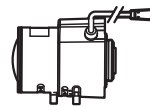
CS-mount lenses



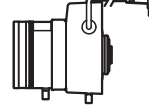
M13VG288IR



M13VG850IR

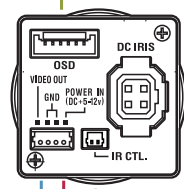
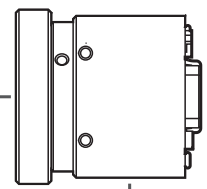


AG3Z2812FCS-MPWIR

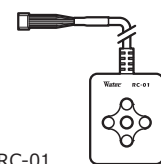


AG4Z1214FCS-MPIR

WAT-1200CS




Remote control




RC-01

2P cable (300mm)



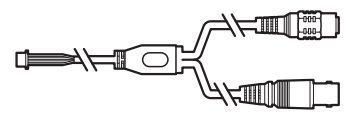
4P cable (300mm)



VIDEO OUT

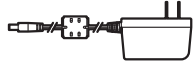
POWER IN (5-12V)

Cable with connectors




CB-01

Power supply adaptors




SWI12-12-N-P5



SWI12-12-E-P5

C-mount adaptor




30CMA-R

C-mount lenses

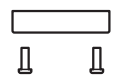
※Not in our lineup

Stand



MS50


Camera bracket




B005

Cable


1.5C2V (BNC/BNC)



3C2V (BNC/BNC)




3C2V (BNC/RCA)



VIDEO OUT (BNC)

VIDEO OUT (BNC)

VIDEO OUT (RCA)



※Not in our lineup

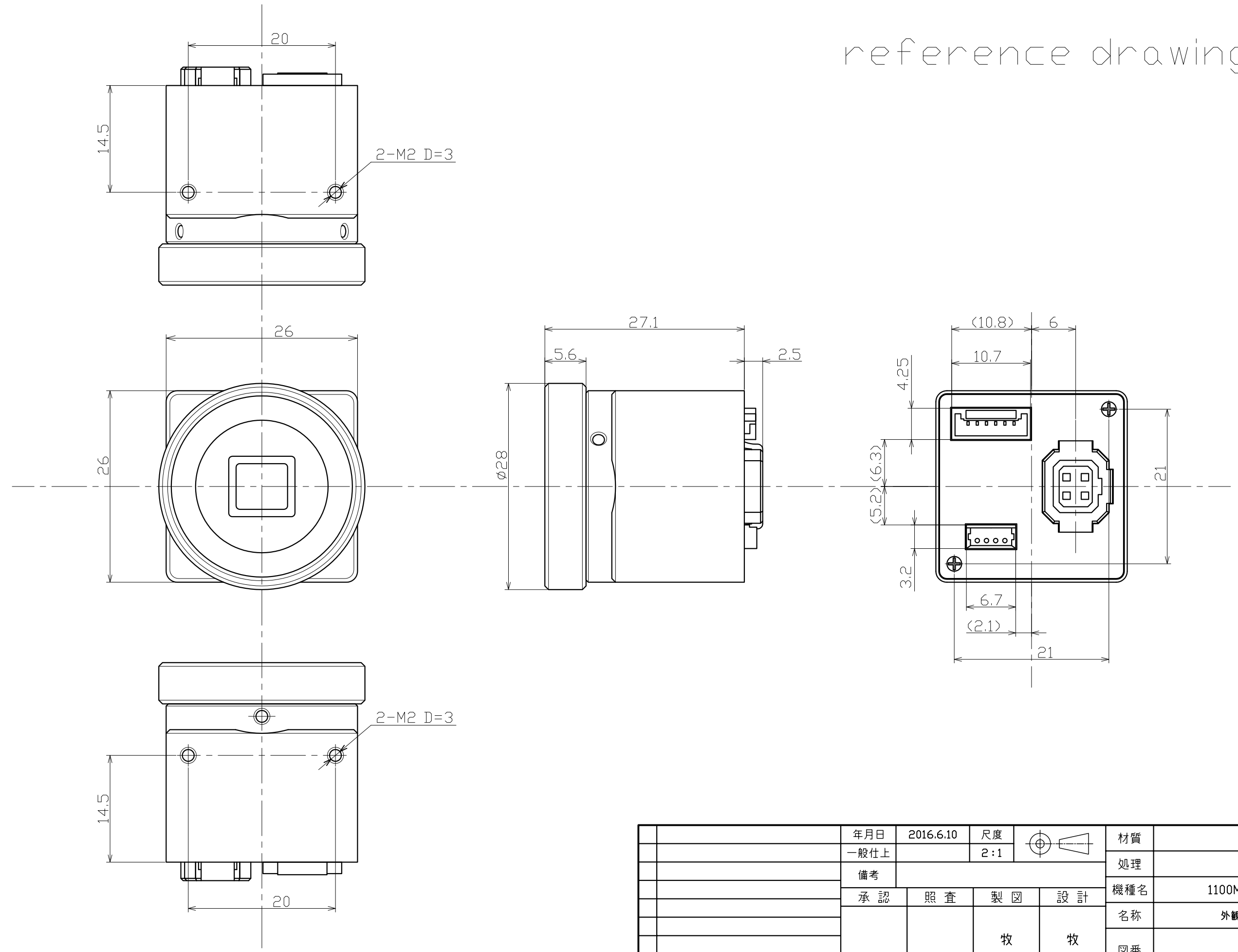
For more information please contact:

BOCK OPTRONICS INC.
 14 Steinway Blvd., Unit 7
 Toronto, Ontario M9W 6M6

Tel: (416) 674-2804
sales@bockoptronics.ca
www.bockoptronics.ca



reference drawing



	年月日	2016.6.10	尺度		材質	-
	一般仕上		2:1		処理	-
	備考				機種名	1100MBD/CS
	承認	照査	製図	設計	名称	外觀寸法図
			牧	牧	図番	
1	改定事項					

一般公差 mm	16mm以下	±0.1	-	16mmをこえ63mm以下	±0.2	-	63mmをこえ250mm以下	±0.3	-	一般角度公差 mm	±30'	-
---------	--------	------	---	---------------	------	---	----------------	------	---	-----------	------	---