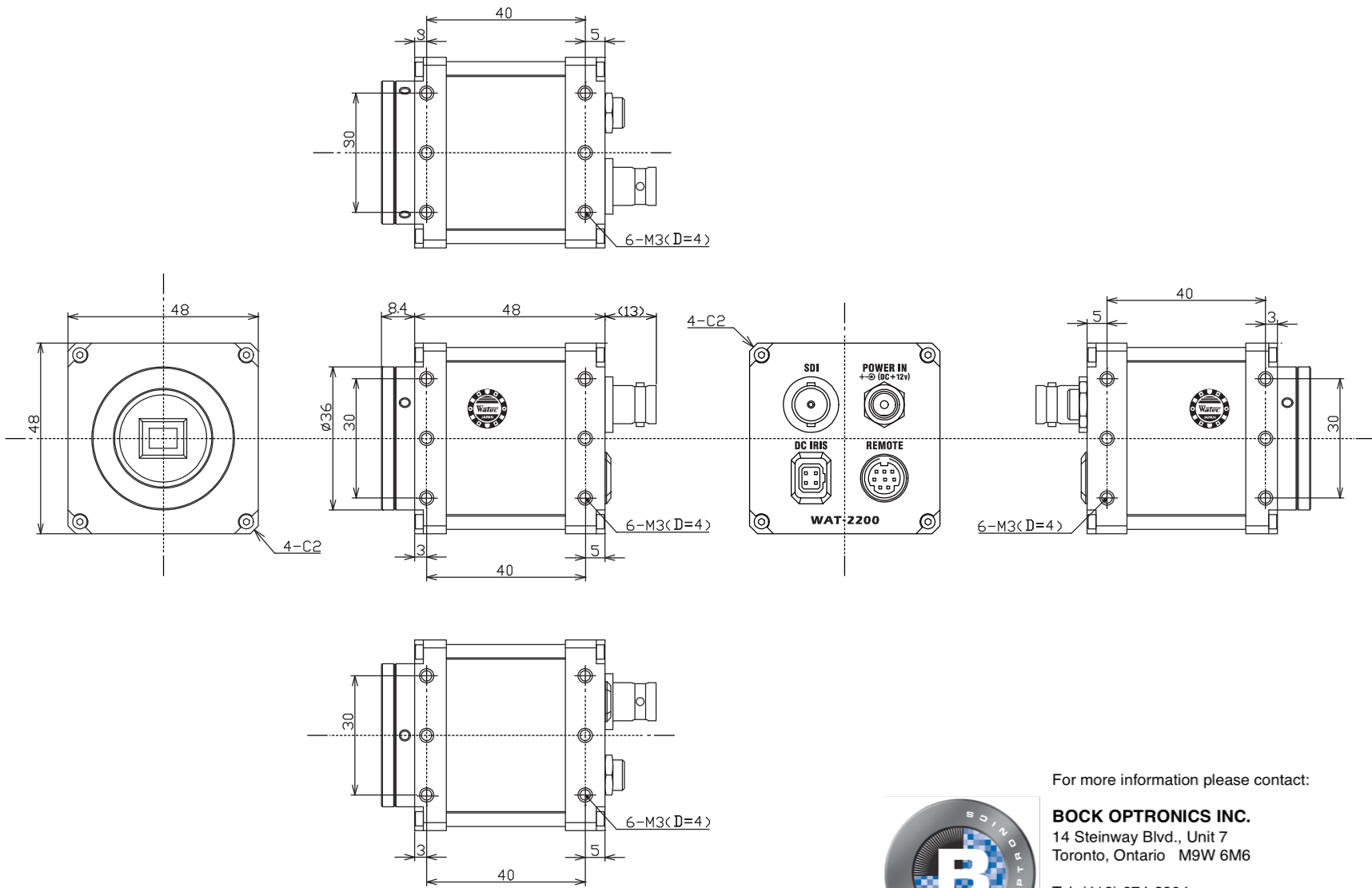


SPECIFICATIONS

Model		WAT-2200P
Pick-up element		1/2.8-inch CMOS image sensor
Number of total pixels		1952(H) x 1236(V)
Number of effective pixels		1080i/1080p: 1920(H) x 1080(V) / 720p: 1280(H) x 720(V)
Unit cell size		2.8μm × 2.8μm
Imaging system		RGB+W array mosaic filters on chip
Synchronizing system		Internal
Scanning system		Progressive
Video output		3G-SDI (Level A, SMPTE424M, Compatible) / HD-SDI (SMPTE292M, Compatible)
Output format	3G-SDI	1080p60, 1080p50, 1080p59.94
	HD-SDI	1080i60, 1080i50, 1080i59.94, 1080p30, 1080p25, 1080p29.97, 720p60, 720p50, 720p59.94
Minimum illumination		0.1 lx. F1.2
S/N		More than 50dB
Function settings		OSD(On Screen Display) operated by remote controller / RS-232(Compatible)
AE mode		AUTO / MANUAL
Shutter speed		OFF, 1/100, 1/120, 1/200, 1/500, 1/1000, 1/2000, 1/5000, 1/10000 sec.
Flickerless mode		ON / OFF
AGC		HIGH / MEDIUM / LOW
MGC		0 - 30dB
White balance		ATW, PWB, MANUAL, PRESET (4 types)
Noise reduction		2DNR ON / OFF
Privacy mask		16 areas (RS-232)
Mirror image		OFF / ON (H-FLIP, V-FLIP)
Back light compensation		ON / OFF
Defog		ON / OFF
White blemish correction		1023 pixels
Lens iris		DC
Power supply		DC+12V±10%
Power consumption		2.22W (185mA)
Operating temperature		-10 - +50□
Storage temperature		-30 - +70□
Operating/Storage humidity		95% RH or less (Without condensation)
Lens mount		CS mount (Back focus adjustable)
Weight		Approx. 130g

* Design and specifications are subject to change without notice.

DIMENSIONS (mm)



For more information please contact:



BOCK OPTRONICS INC.
 14 Steinway Blvd., Unit 7
 Toronto, Ontario M9W 6M6

Tel: (416) 674-2804
sales@bockoptronics.ca
www.bockoptronics.ca