

TOLERANCES UNLESS OTHERWISE SPECIFIED

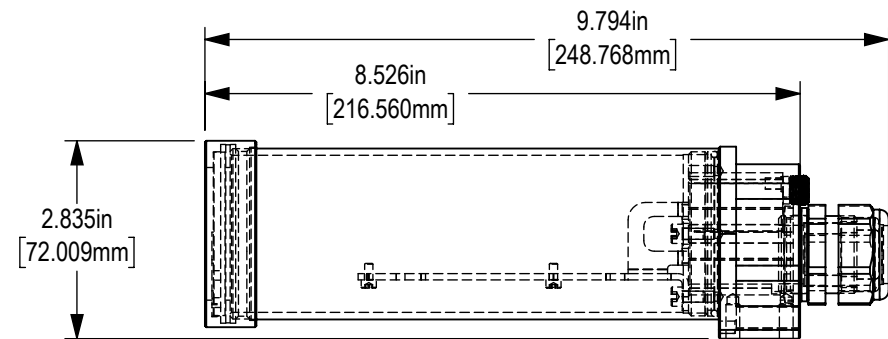
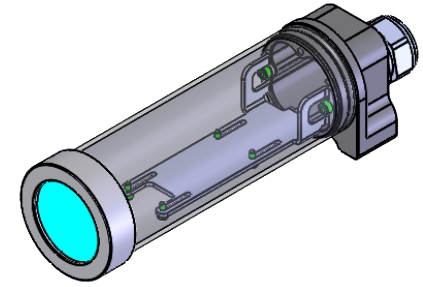
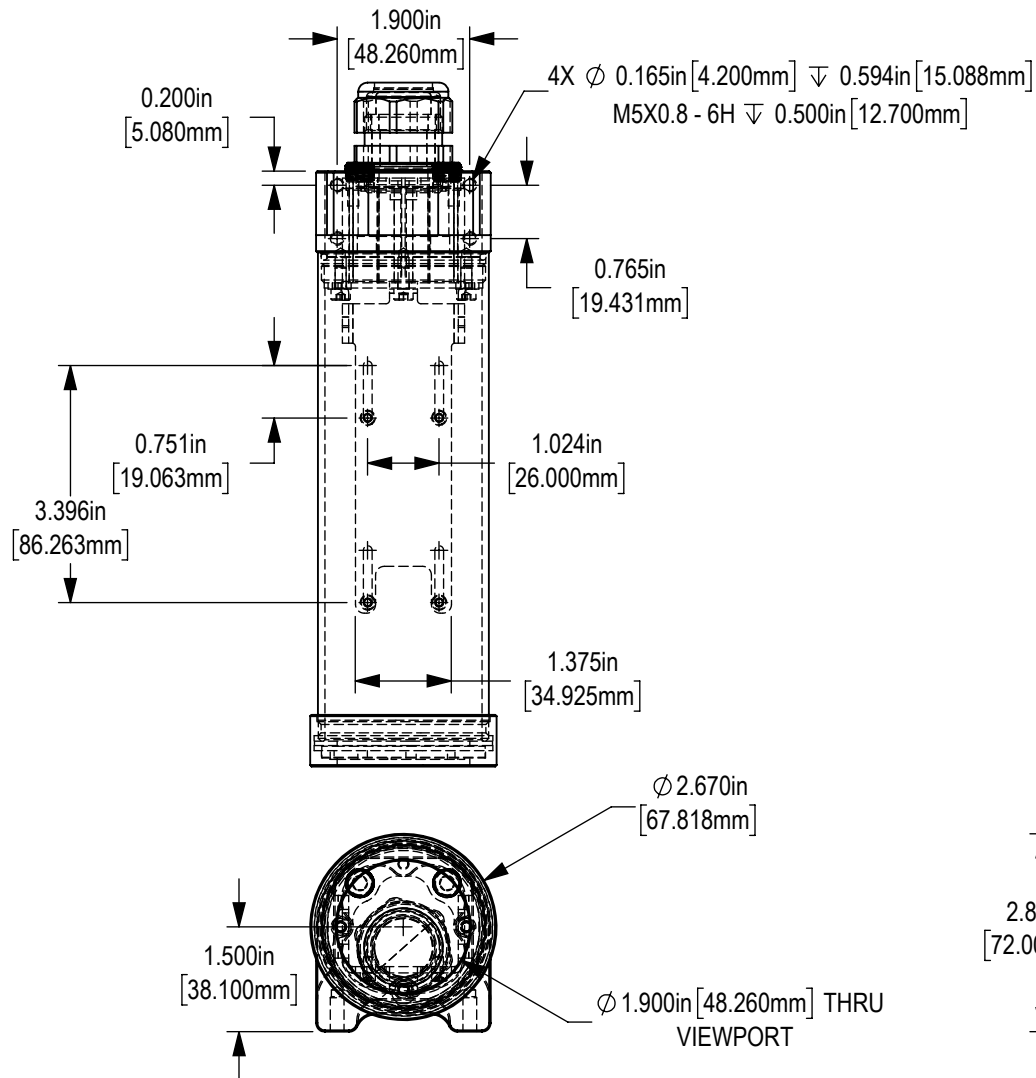
MACHINING		SHEETMETAL		
XX	0.0300	 ALL WEIGHTS ARE IN POUNDS ANGULAR 0.5° DEBURR ALL EDGES	XX	\pm 0.0
XXX	0.0100		XXX	\pm 0.020
XXXX	0.0050		XXXX	NOTED
XXXXX	0.0005		XXXXX	ANGULAR 0.5°
ANGULAR	0.5°		DEBURR	ALL EDGES



Allison Park Group, Inc (APG)
 4055 Alpha Drive
 Allison Park, PA 15101 USA
 Phone +1 (412) 487-8211
 Fax +1 (412) 486-3157

THIS PRINT IS THE PROPERTY OF ALLISON PARK GROUP. THE INFORMATION CONTAINED HEREIN IS CONFIDENTIAL. IT IS NOT TRANSFERABLE. IT IS FURNISHED WITH THE CLEAR UNDERSTANDING THAT IT IS NOT TO BE TRACED, REPRODUCED OR USED IN ANY PROCESS OF MANUFACTURING WITHOUT WRITTEN PERMISSION FROM THE OWNER AND IS RETURNABLE UPON DEMAND. ANY INFRINGEMENT UPON THE PATENT RIGHTS SHOWN HEREIN, WHETHER IN PART OR WHOLE, WILL BE PROSECUTED. AS PART OF OUR POLICY OF CONTINUING DEVELOPMENT, ALLISON PARK GROUP RESERVES THE RIGHT TO ALTER SPECIFICATIONS WITHOUT PRIOR NOTICE.

DESCRIPTION: 24C-AC (7in brl, PG21, gls VP, Basler) DIMS				
MATERIAL:		APPROX. WEIGHT		
FINISH:		1.398		
DRAWN BY: AW	DATE: 2/14/2018	SCALE: NTS	SHT-SIZE: A	REF. NUMBER:
CHECKED BY:	DATE:	PART NUMBER:		REVISION
APPROVED BY:	DATE:	24C-AC		A
Sheet 1 of 1				



TOLERANCES UNLESS OTHERWISE SPECIFIED

MACHINING		SHEETMETAL	
XX	0.0300	XX	± 0.0
XXX	0.0100	XXX	± 0.020
XXXX	0.0050	XXXX	NOTED
XXXXX	0.0005	XXXXX	ANGULAR 0.5°
ANGULAR	0.5°	DEBURR	ALL EDGES
DEBURR	ALL EDGES		

THIS PRINT IS THE PROPERTY OF ALLISON PARK GROUP. THE INFORMATION CONTAINED HEREIN IS CONFIDENTIAL. IT IS NOT TRANSFERABLE. IT IS FURNISHED WITH THE CLEAR UNDERSTANDING THAT IT IS NOT TO BE TRACED, REPRODUCED OR USED IN ANY PROCESS OF MANUFACTURING WITHOUT WRITTEN PERMISSION FROM THE OWNER AND IS RETURNABLE UPON DEMAND. ANY INFRINGEMENT UPON THE PATENT RIGHTS SHOWN HEREIN, WHETHER IN PART OR WHOLE, WILL BE PROSECUTED. AS PART OF OUR POLICY OF CONTINUING DEVELOPMENT, ALLISON PARK GROUP RESERVES THE RIGHT TO ALTER SPECIFICATIONS WITHOUT PRIOR NOTICE.



Allison Park Group, Inc (APG)
4055 Alpha Drive
Allison Park, PA 15101 USA
Phone +1 (412) 487-8211
Fax +1 (412) 486-3157

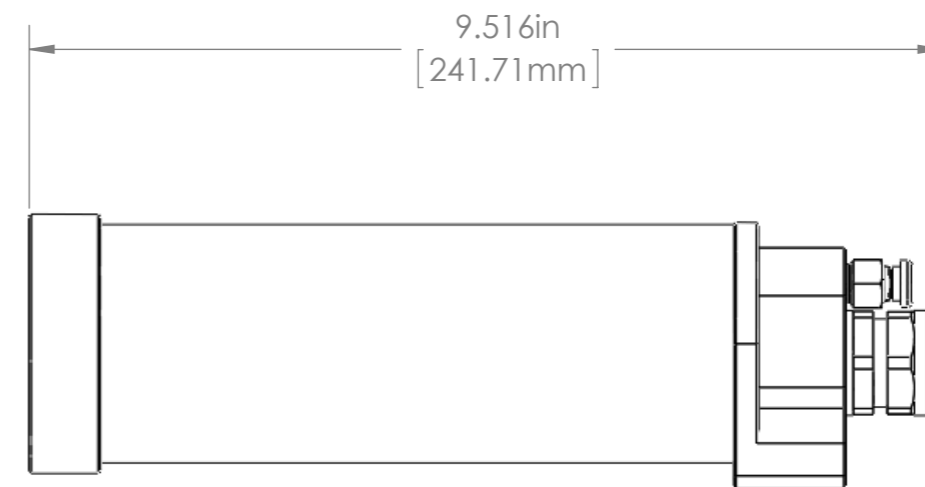
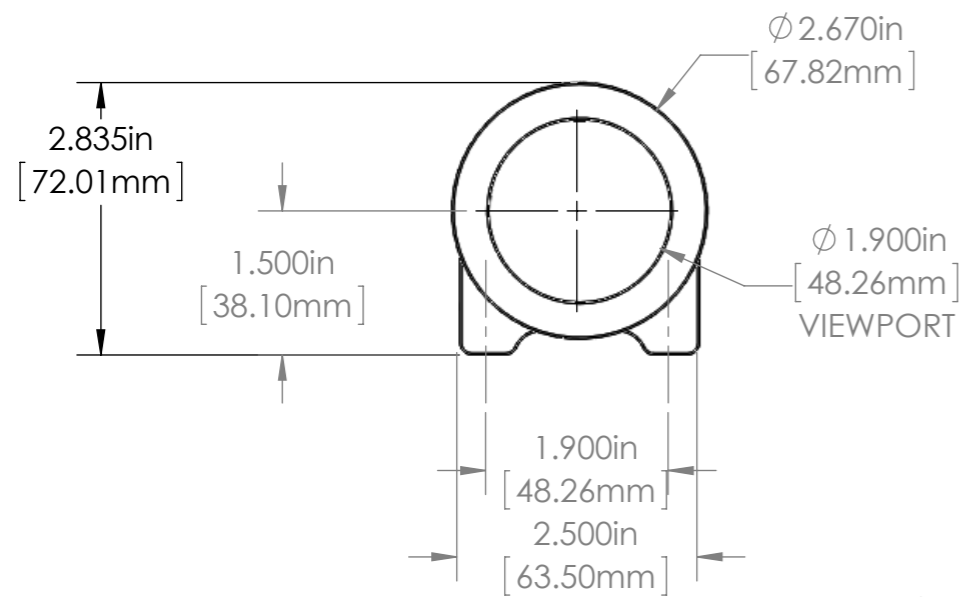
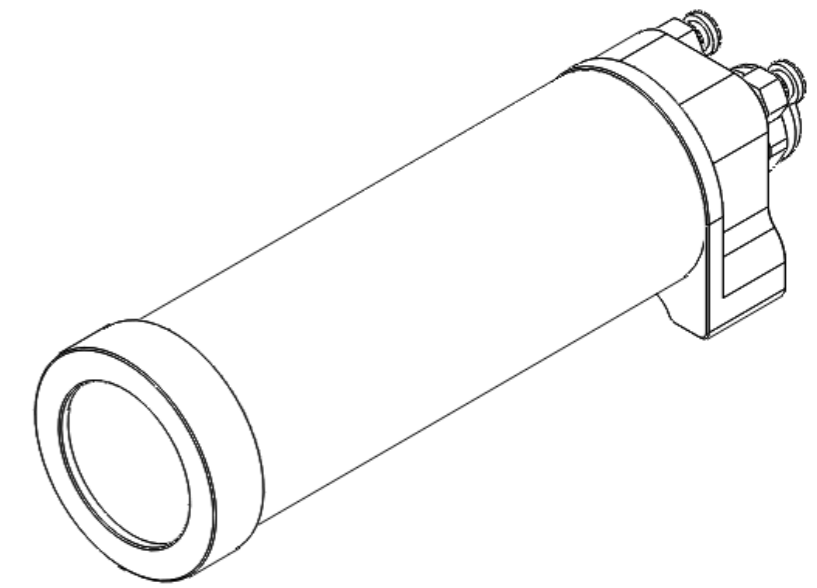
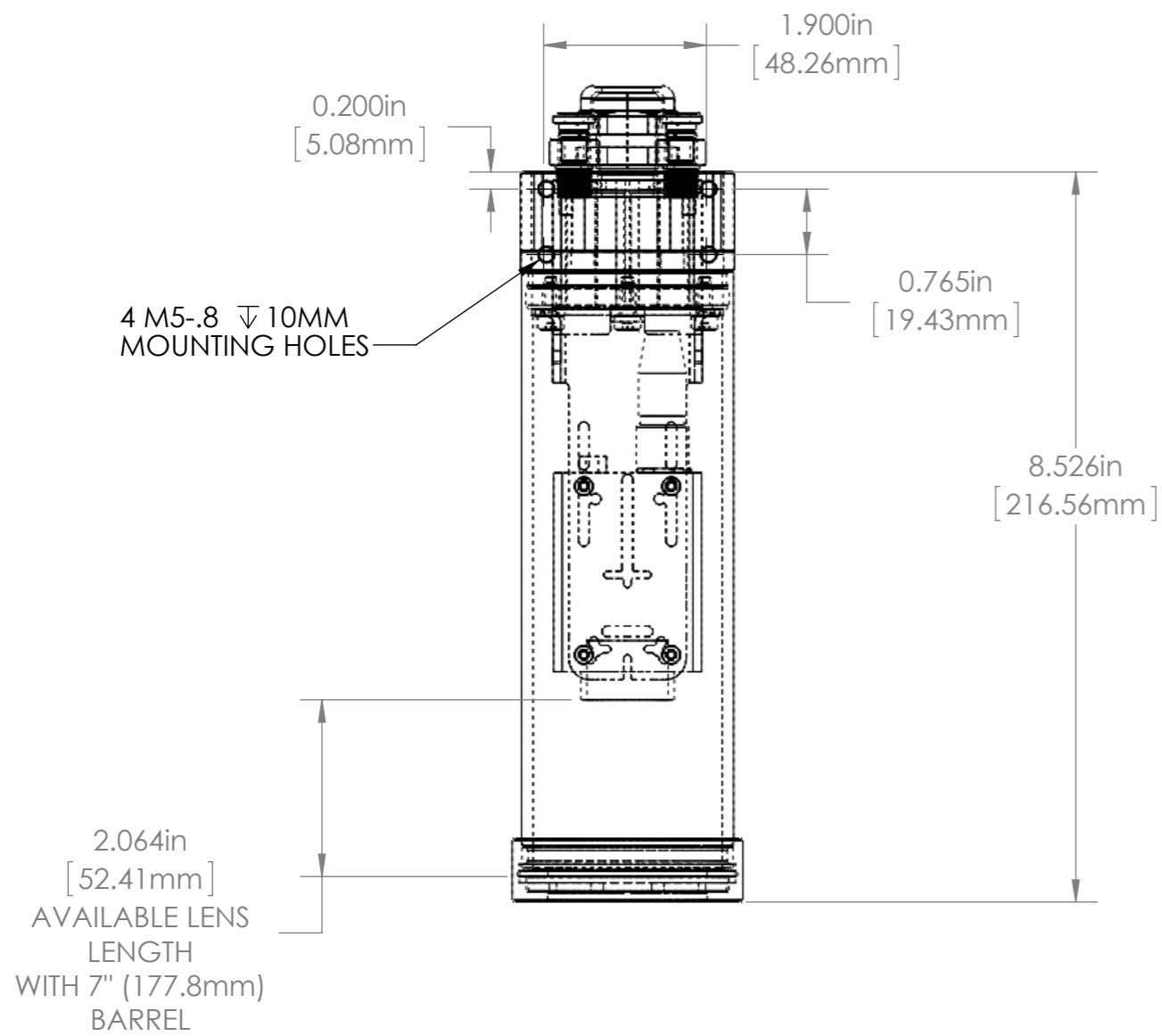
DESCRIPTION:
24C-AD (7in brl, PG21, Acylic VP, Basler) DIMS

MATERIAL: . APPROX. WEIGHT 1.398

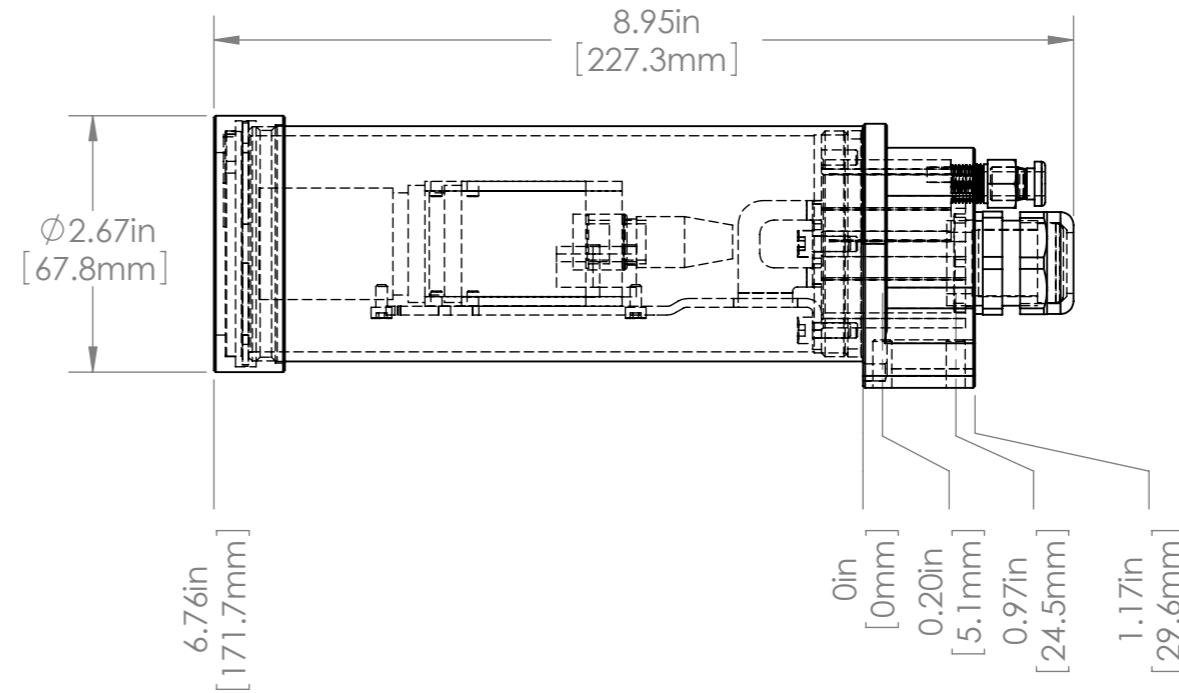
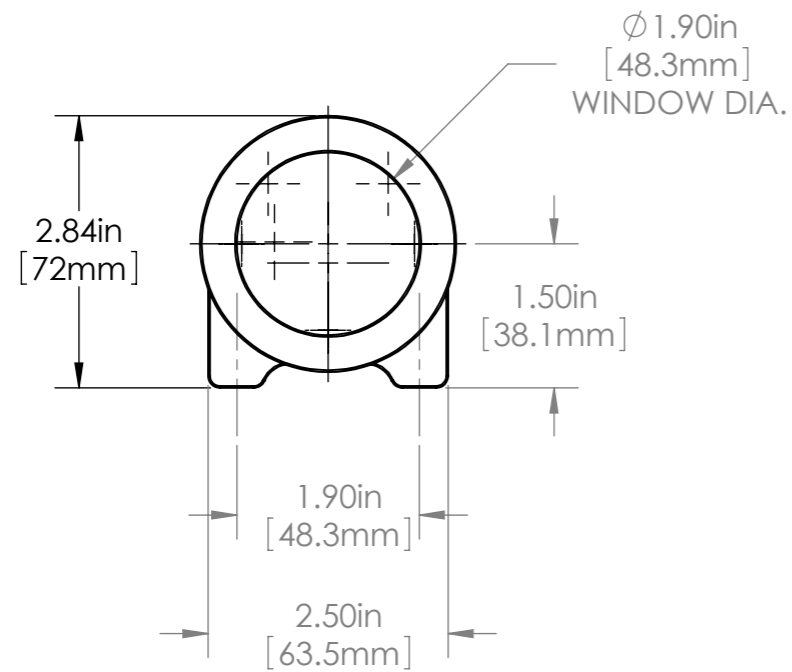
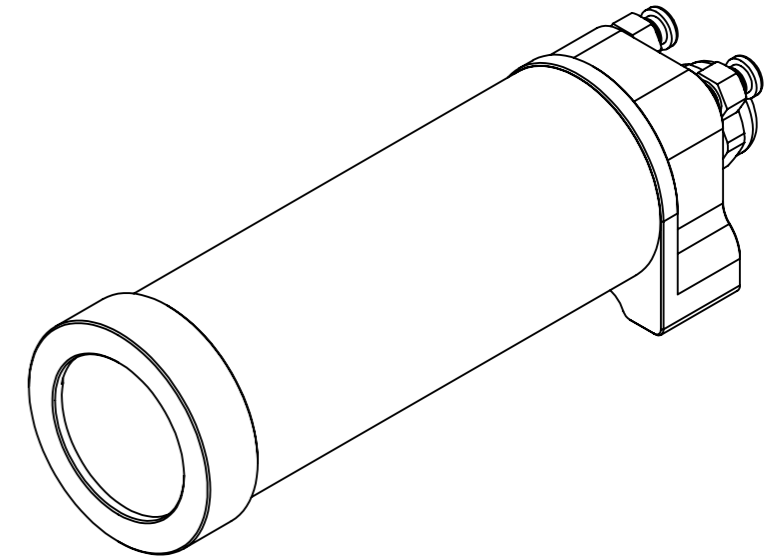
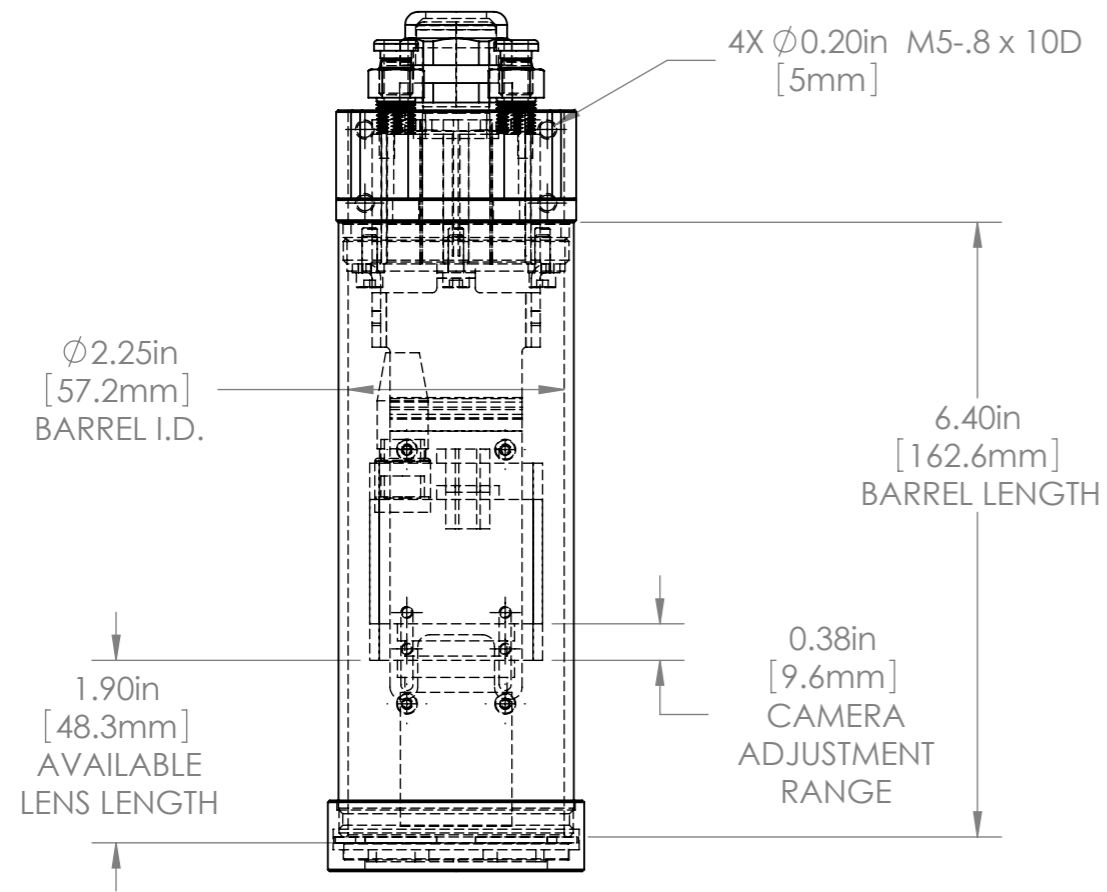
FINISH: .

DRAWN BY: AW	DATE: 2/14/2018	SCALE: NTS	SHT-SIZE: A	REF. NUMBER:
CHECKED BY: .	DATE: .	PART NUMBER:	REVISION	
APPROVED BY: .	DATE: .	24C-AD		A

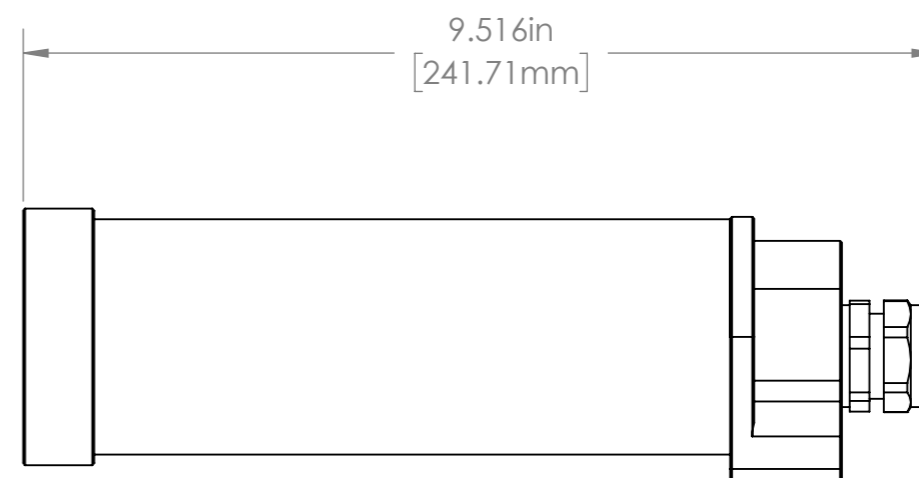
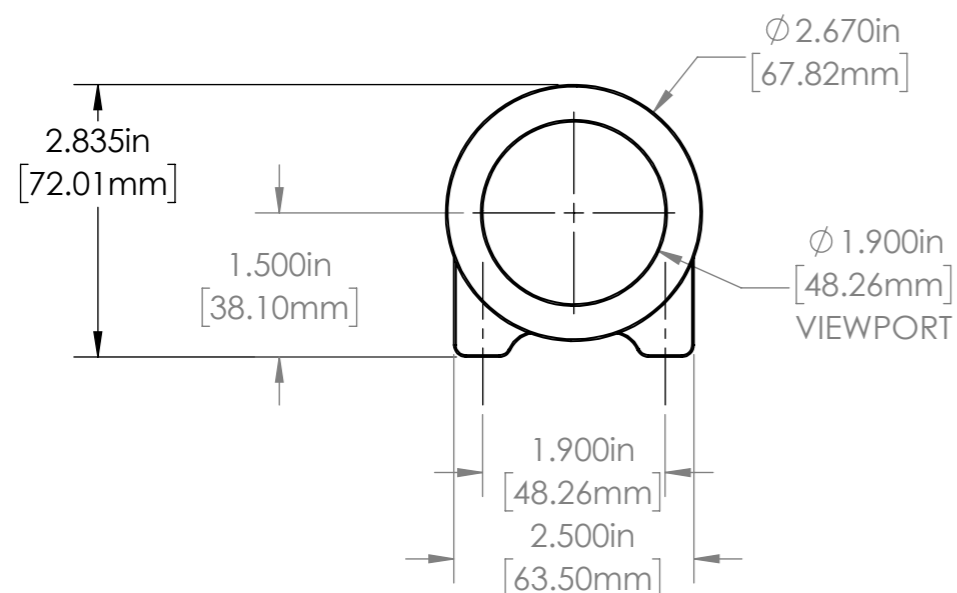
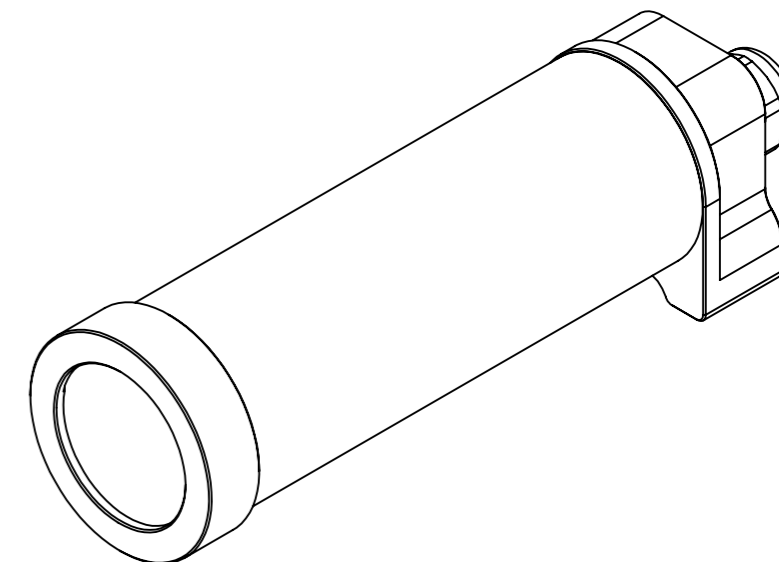
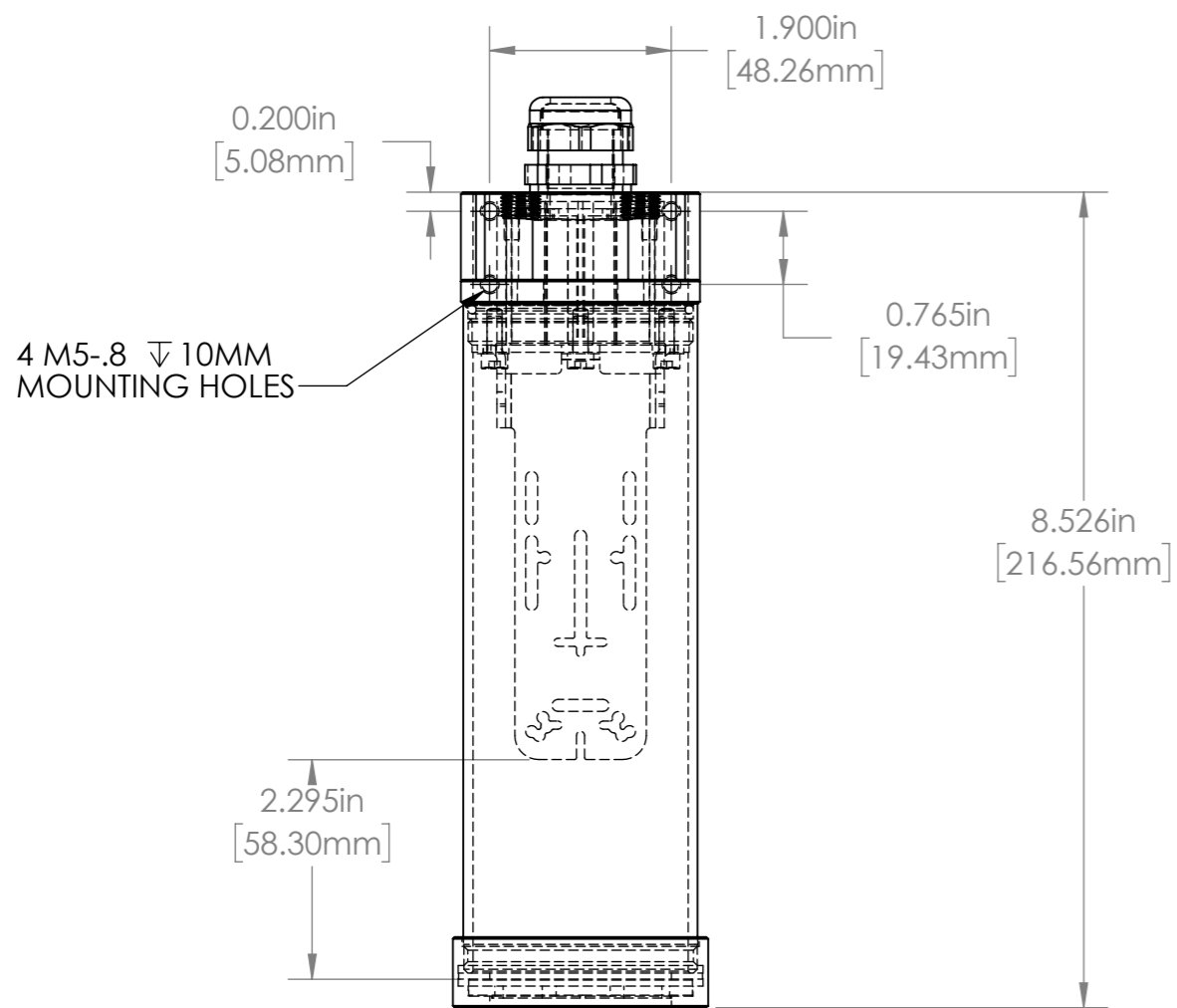
Sheet 1 of 1



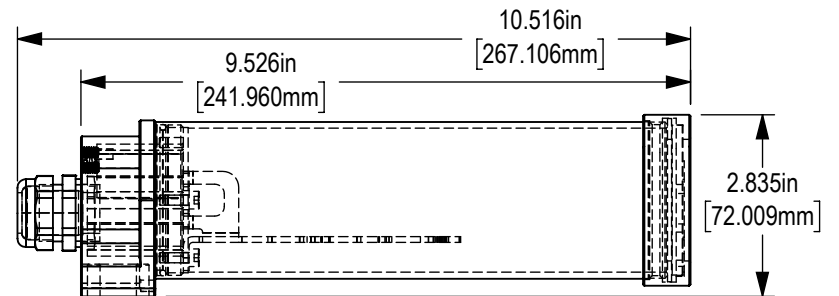
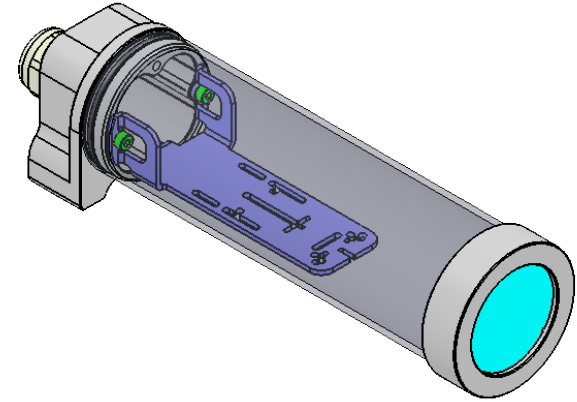
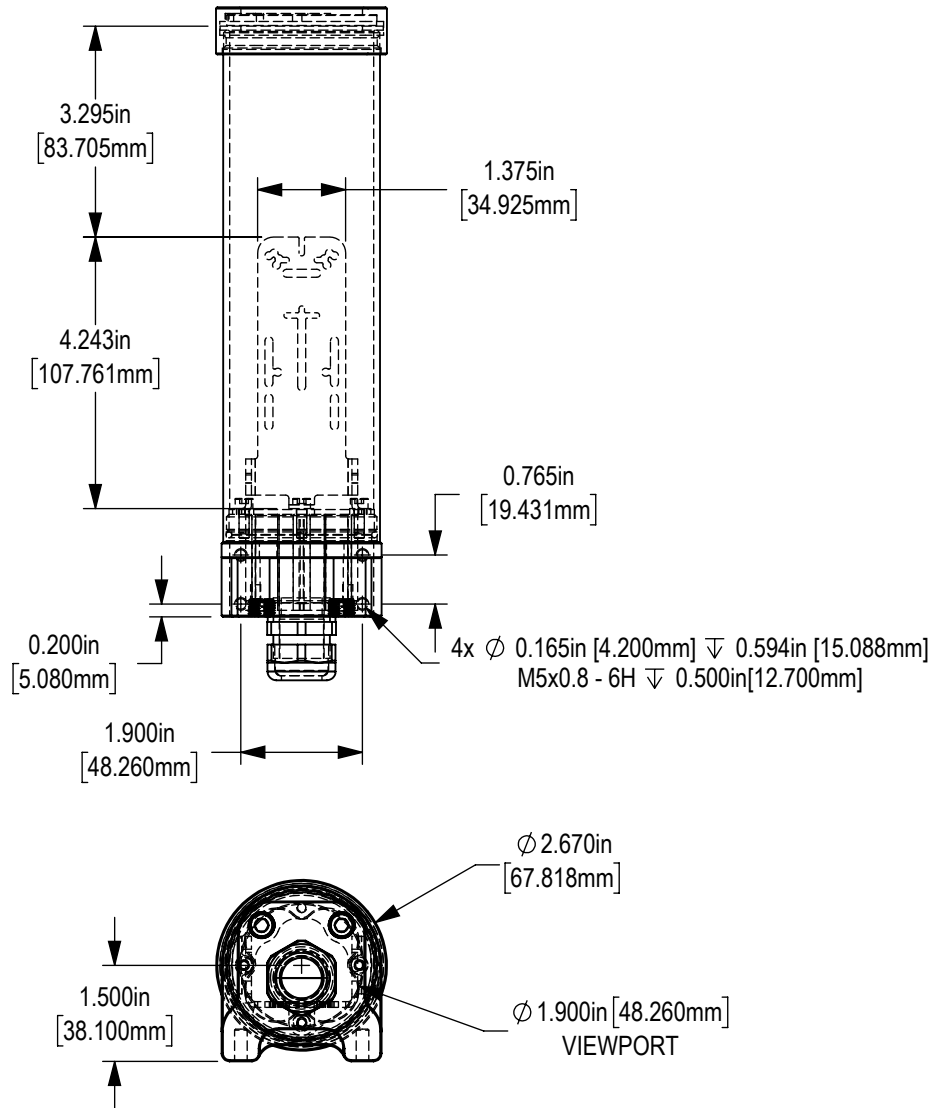
				UNLESS OTHERWISE SPECIFIED: DIMENSIONS ARE IN INCHES SURFACE FINISH: TOLERANCES: .000= +/- 0.005" .00= +/- 0.010"	FINISH: CLEAR HARDCOAT ANODIZE	Allison Park Group, Inc. (APG) 4055 Alpha Drive Allison Park, PA 15101 USA Phone +1 (412) 487-8211 Fax +1 (412) 486-3157 www.apgvision.com	DO NOT SCALE DRAWING	REVISION	
				LINEAR:	DEBUR AND BREAK SHARP EDGES		This document is the property of APG and is considered company confidential. The information in this document is the property of APG and may not be used, reproduced, or distributed in whole or in part without the prior written permission of APG.		
				NAME	SIGNATURE	DATE	TITLE:		
				DRAWN	SCHUBERT	3/16/2012	24C-AF (AH) ASSY DIMS		
				CHK'D					
				APPV'D					
				MFG					
				Q.A					
				NOTES:			MATERIAL:	DWG NO.	
							ALUMINUM 6061 T6	24C-AF (AH)	
							WEIGHT:	A3	
							SCALE: 1:2	SHEET 1 OF 1	
NO.	CHANGE	DATE	INIT.						



				UNLESS OTHERWISE SPECIFIED: DIMENSIONS ARE IN INCHES SURFACE FINISH: TOLERANCES: .000= +/- 0.005" .00= +/- 0.010"		FINISH: DEBUR AND BREAK SHARP EDGES		Allison Park Group, Inc. (APG) 4055 Alpha Drive Allison Park, PA 15101 USA		DO NOT SCALE DRAWING		REVISION	
				LINEAR:				Phone +1 (412) 487-8211 Fax +1 (412) 486-3157		This document is the property of APG and is considered company confidential. The information in this document is the property of APG and may not be used, reproduced, or distributed in whole or in part without the prior written permission of APG			
				DRAWN		SIGNATURE		www.apgvision.com		TITLE: 24C-AG ASSY DIMS			
				CHK'D		DATE		MATERIAL: 6061 T6 ALUMINUM CLEAR HARDCOAT ANODIZED		DWG NO.		A3	
				APPV'D				WEIGHT:		SCALE: 1:2		SHEET 1 OF 1	
				MFG									
				Q.A									
				NOTES:									
NO.	CHANGE	DATE	INIT.										



				UNLESS OTHERWISE SPECIFIED: DIMENSIONS ARE IN INCHES SURFACE FINISH: TOLERANCES: .000= +/- 0.005" .00= +/- 0.010"		FINISH: CLEAR HARDCOAT ANODIZE		Allison Park Group, Inc. (APG) 4055 Alpha Drive Allison Park, PA 15101 USA		DO NOT SCALE DRAWING		REVISION	
				LINEAR:		DEBUR AND BREAK SHARP EDGES		Phone +1 (412) 487-8211 Fax +1 (412) 486-3157		This document is the property of APG and is considered company confidential. The information in this document is the property of APG and may not be used, reproduced, or distributed in whole or in part without the prior written permission of APG			
				DRAWN		SIGNATURE		www.apgvision.com		TITLE: 24C-AF (AH) ASSY DIMS			
				SCHUBERT				MATERIAL: ALUMINUM 6061 T6		DWG NO.		A3	
				CHK'D				WEIGHT:		SCALE: 1:2		SHEET 1 OF 1	
				APPV'D									
				MFG									
				Q.A									
				NOTES:									
NO.	CHANGE	DATE	INIT.										



TOLERANCES UNLESS OTHERWISE SPECIFIED

MACHINING		SHEETMETAL		
XX	0.0300	 ALL WEIGHTS ARE IN POUNDS	XX	\pm 0.0
XXX	0.0100		XXX	\pm 0.020
XXXX	0.0050		XXXX	NOTED
XXXXX	0.0005		ANGULAR	0.5°
ANGULAR 0.5°		DEBURR ALL EDGES		



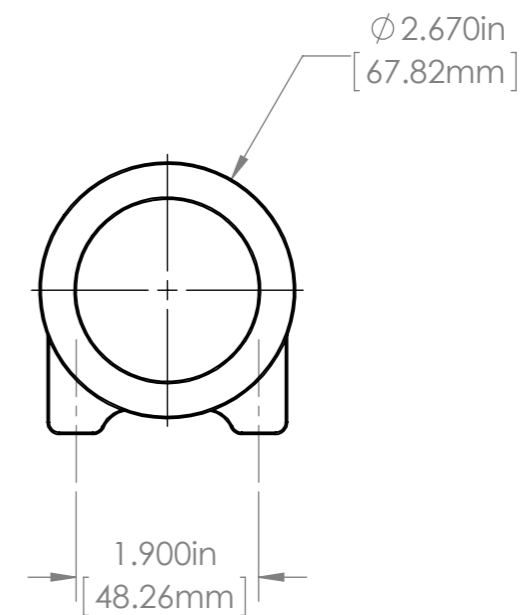
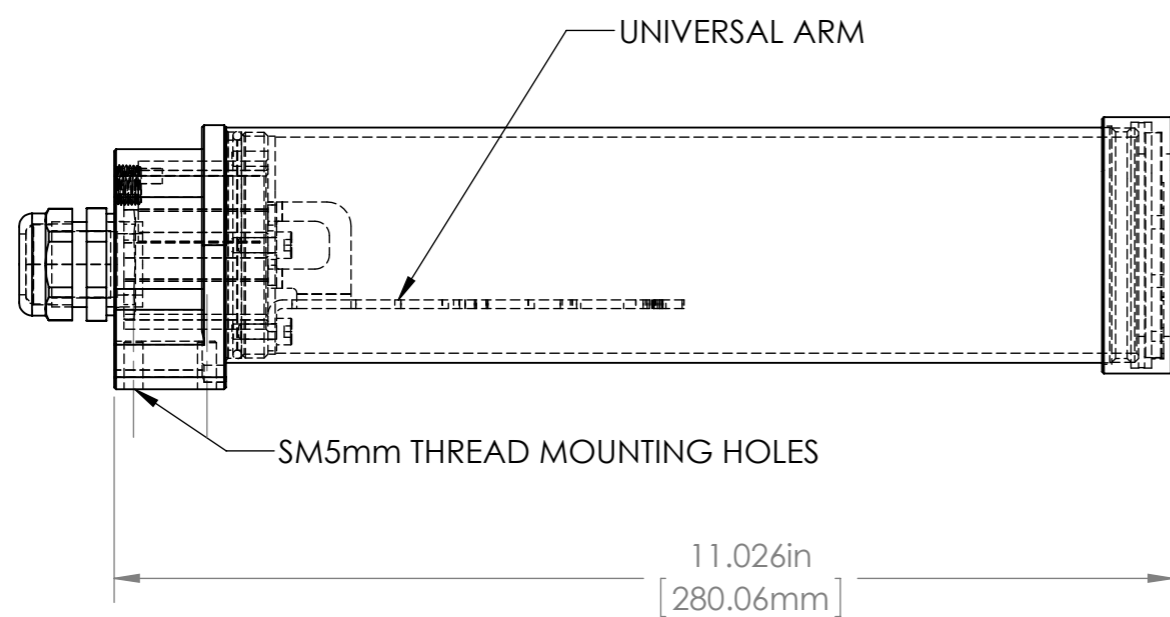
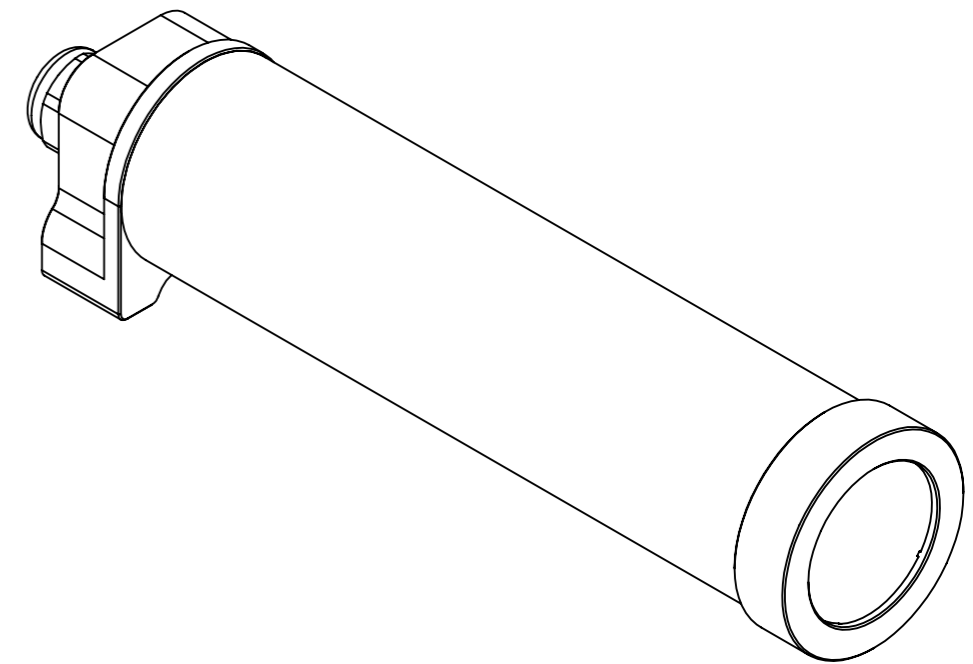
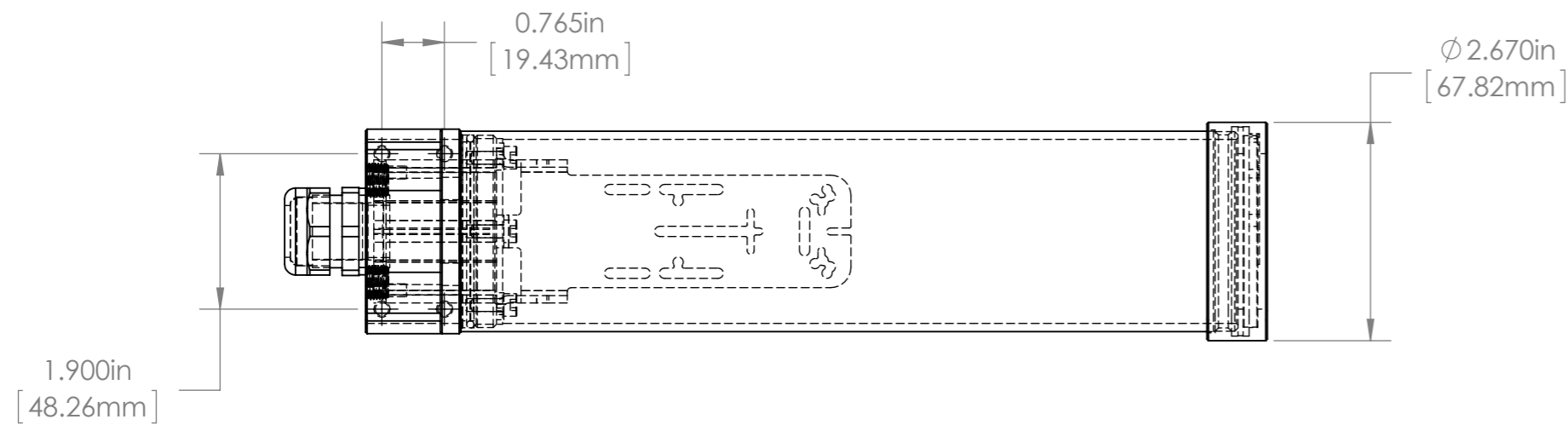
Allison Park Group, Inc (APG)
 4055 Alpha Drive
 Allison Park, PA 15101 USA
 Phone +1 (412) 487-8211
 Fax +1 (412) 486-3157

THIS PRINT IS THE PROPERTY OF ALLISON PARK GROUP. THE INFORMATION CONTAINED HEREIN IS CONFIDENTIAL. IT IS NOT TRANSFERABLE. IT IS FURNISHED WITH THE CLEAR UNDERSTANDING THAT IT IS NOT TO BE TRACED, REPRODUCED OR USED IN ANY PROCESS OF MANUFACTURING WITHOUT WRITTEN PERMISSION FROM THE OWNER AND IS RETURNABLE UPON DEMAND. ANY INFRINGEMENT UPON THE PATENT RIGHTS SHOWN HEREIN, WHETHER IN PART OR WHOLE, WILL BE PROSECUTED. AS PART OF OUR POLICY OF CONTINUING DEVELOPMENT, ALLISON PARK GROUP RESERVES THE RIGHT TO ALTER SPECIFICATIONS WITHOUT PRIOR NOTICE.

DESCRIPTION:
24C-AK (8in brl, PG21, gls VP, univ arm) DIMS

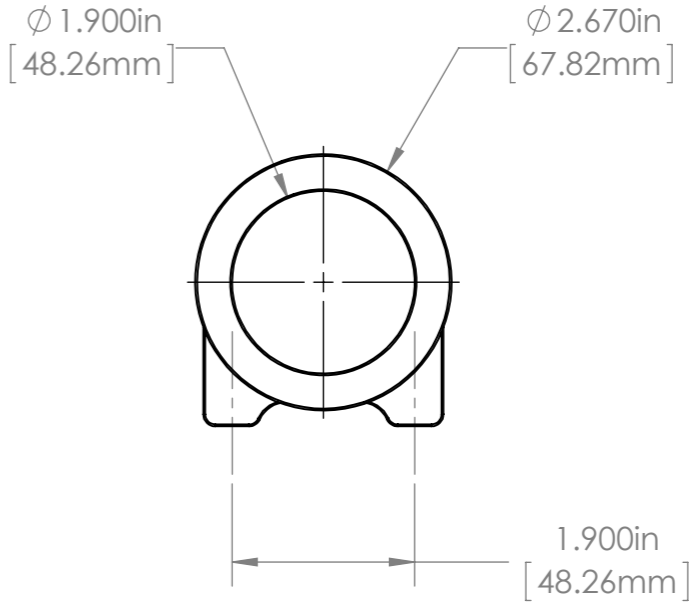
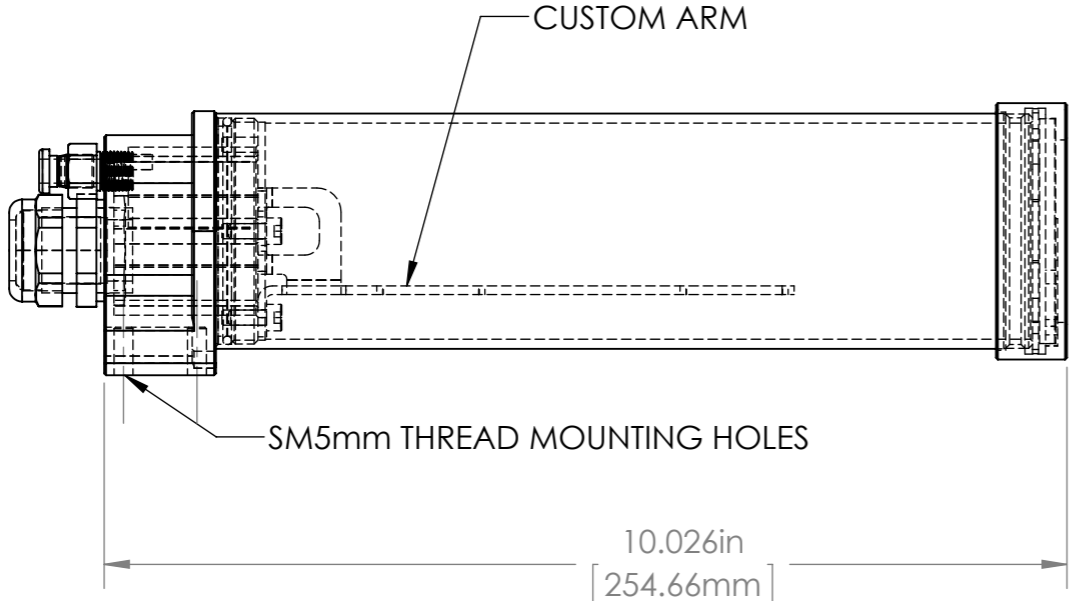
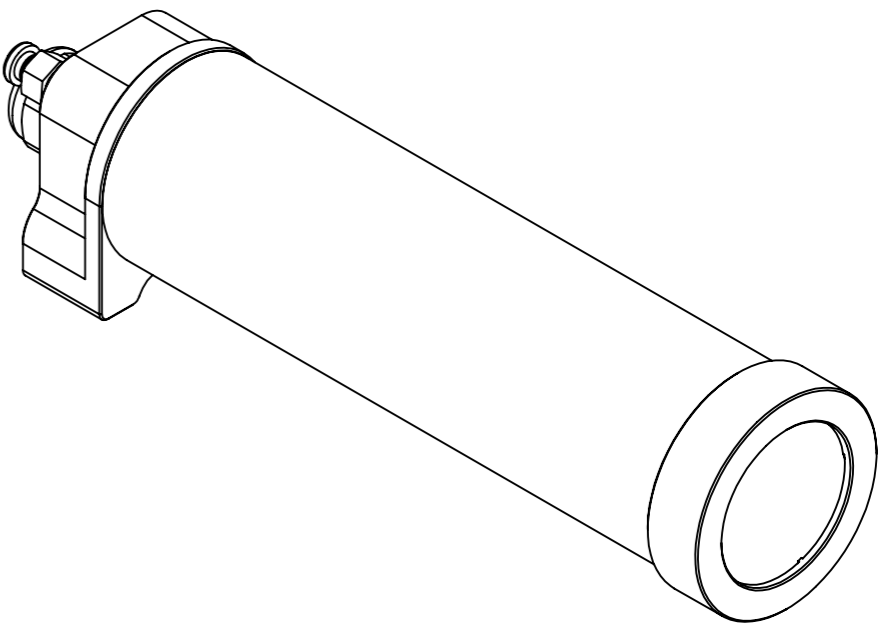
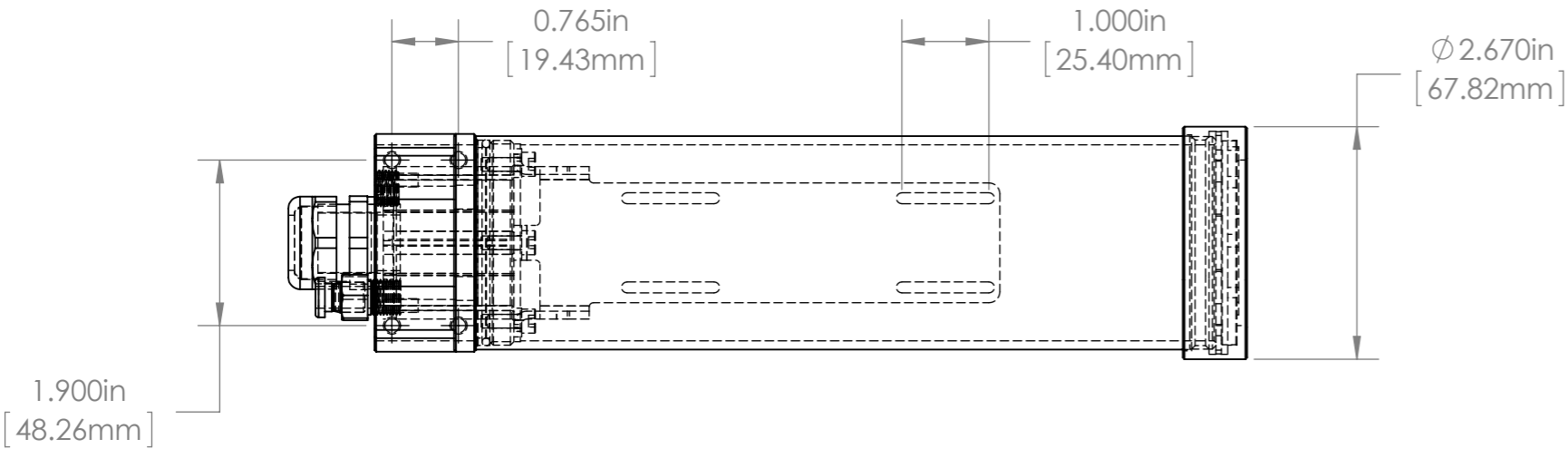
MATERIAL: SEE DETAIL DRAWINGS APPROX. WEIGHT 213.27

DRAWN BY: AW	DATE: 2/14/2018	SCALE: NTS	SHT-SIZE: A	REF. NUMBER:
CHECKED BY:	DATE:	PART NUMBER: 24C-AK		REVISION: A
APPROVED BY:	DATE:	Sheet 1 of 1		

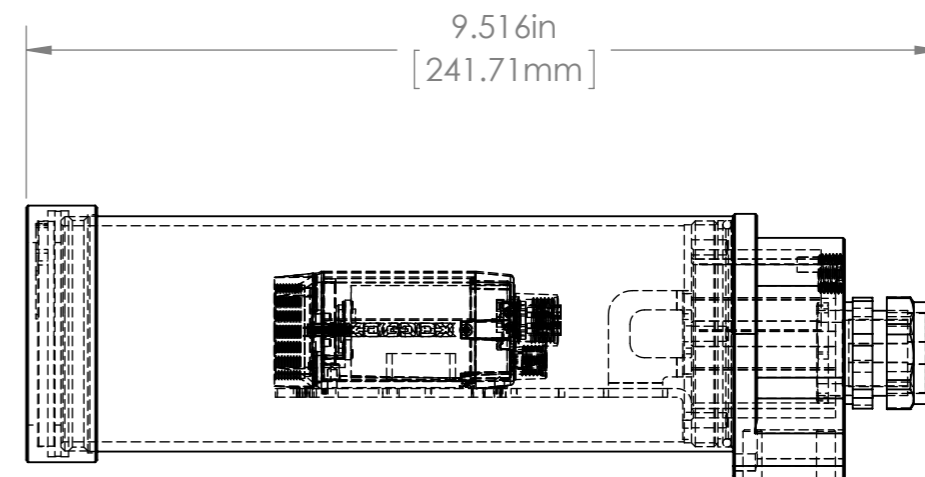
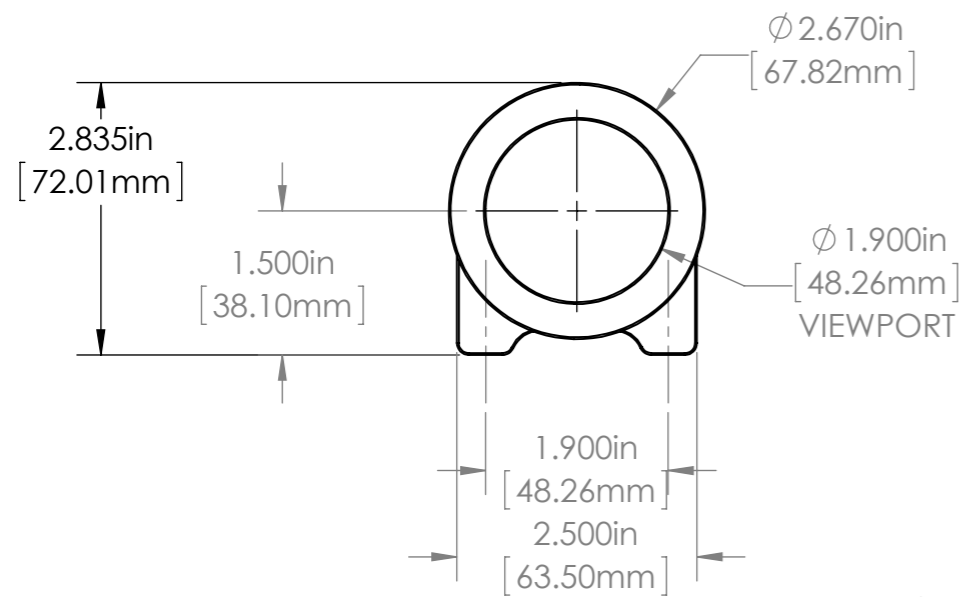
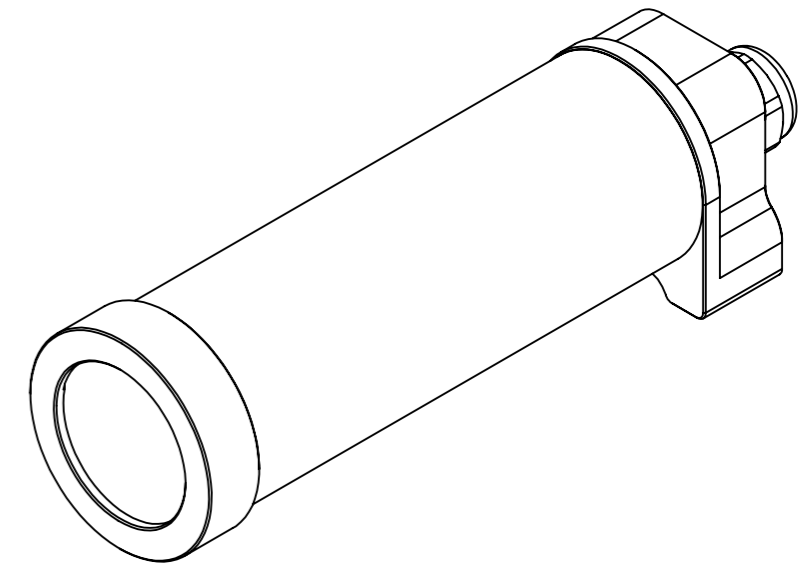
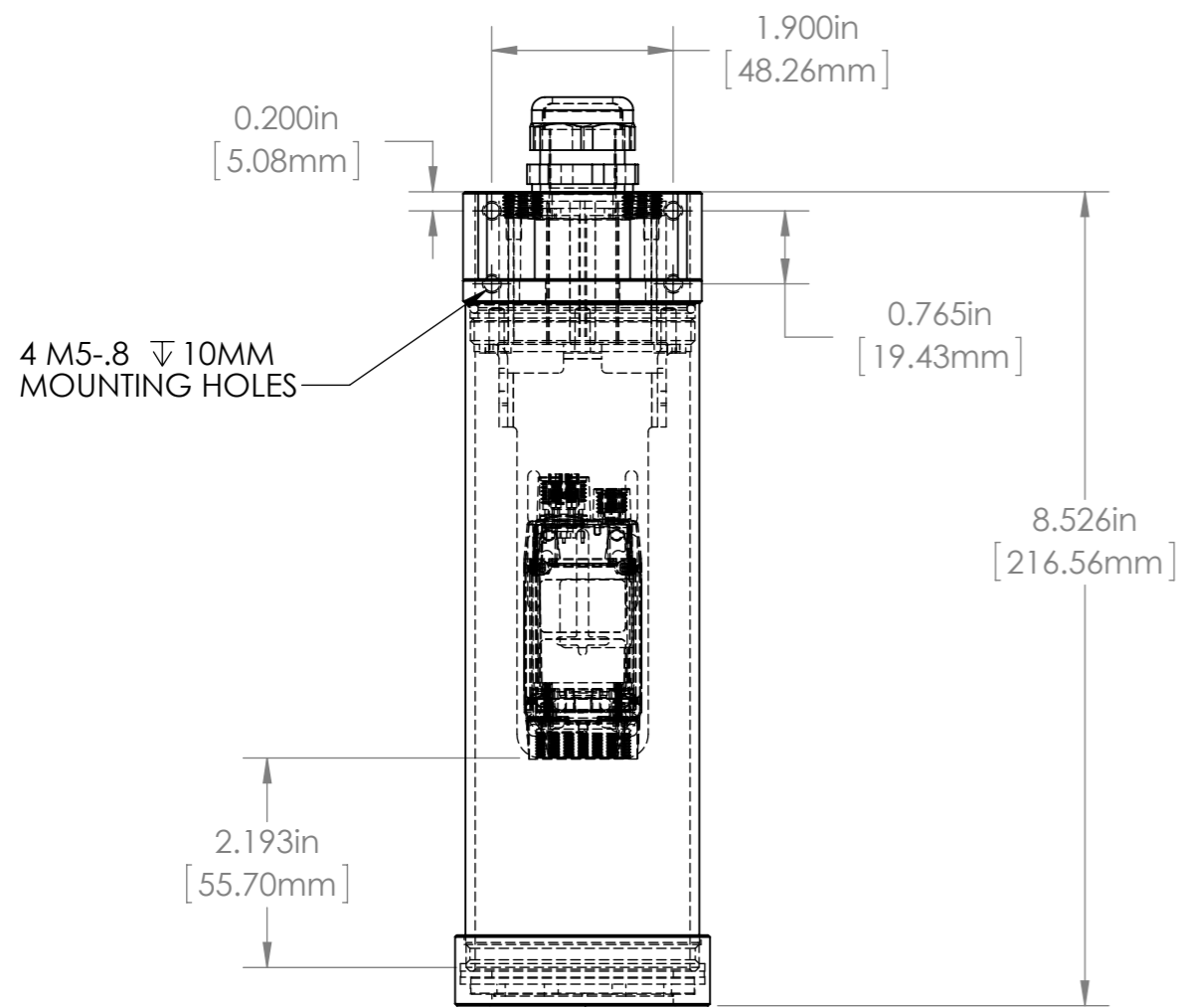


				UNLESS OTHERWISE SPECIFIED: DIMENSIONS ARE IN INCHES SURFACE FINISH: TOLERANCES: .000= +/- 0.005" .00= +/- 0.010"		FINISH: CLEAR HARDCOAT ANODIZE		Allison Park Group, Inc. (APG) 4055 Alpha Drive Allison Park, PA 15101 USA		DO NOT SCALE DRAWING		REVISION	
				LINEAR:		DEBUR AND BREAK SHARP EDGES		Phone +1 (412) 487-8211 Fax +1 (412) 486-3157		This document is the property of APG and is considered company confidential. The information in this document is the property of APG and may not be used, reproduced, or distributed in whole or in part without the prior written permission of APG			
				DRAWN SCHUBERT		SIGNATURE		DATE 1/4/2013		TITLE: 24C-BB (9.5in Brl, univ arm, PG21, GLS)			
				CHK'D						DWG NO.		A3	
				APPVD						SCALE: 1:2		SHEET 1 OF 1	
				MFG						MATERIAL:		24C-BB	
				Q.A						WEIGHT:			
				NOTES:									
NO.	CHANGE	DATE	INIT.										

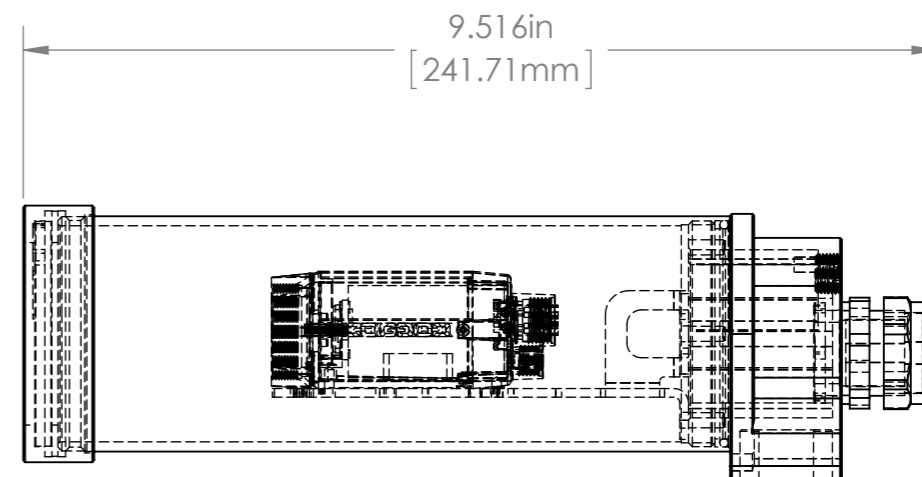
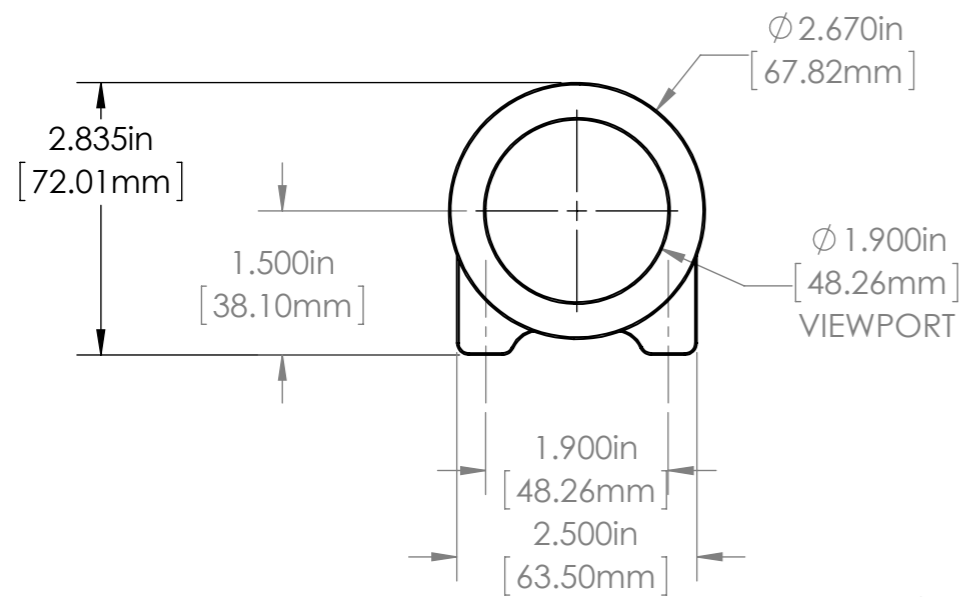
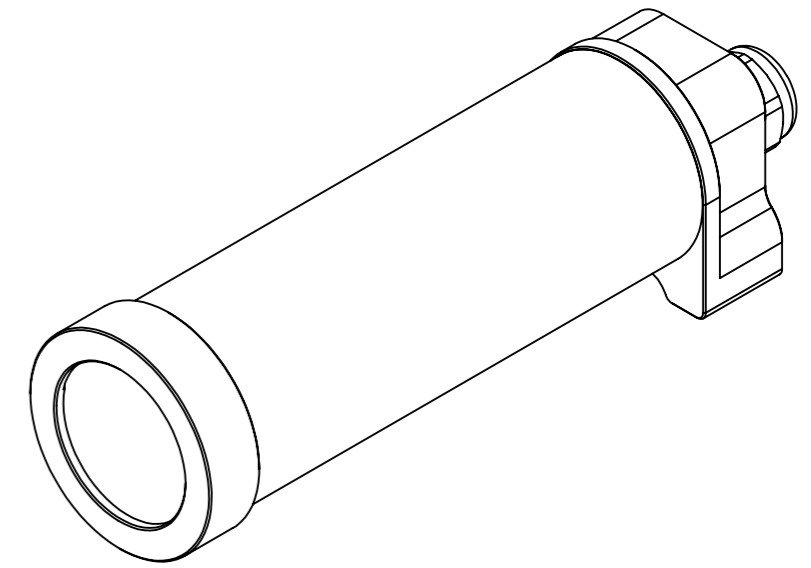
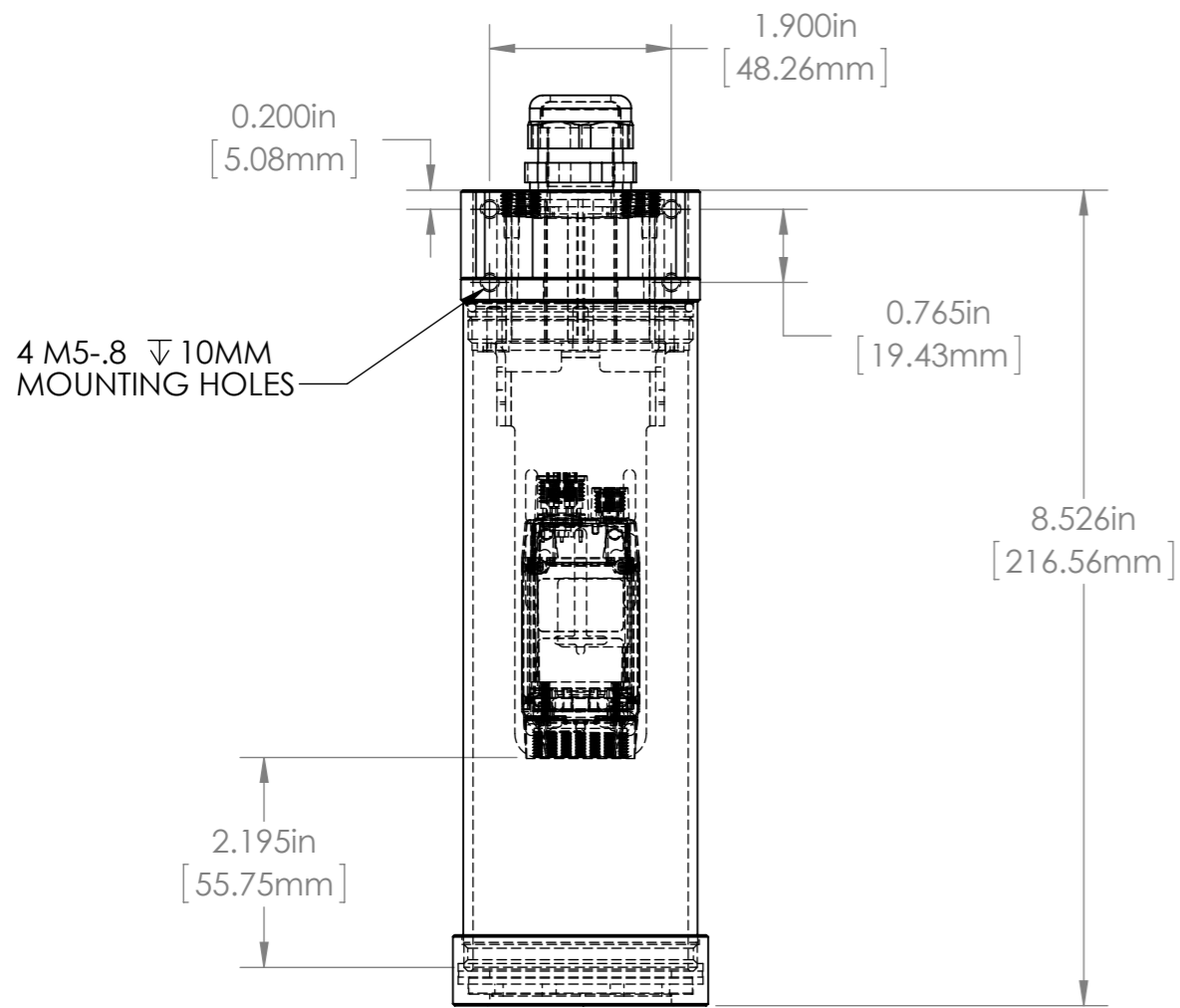
BASLER PILOT WITH 1.4" LENS



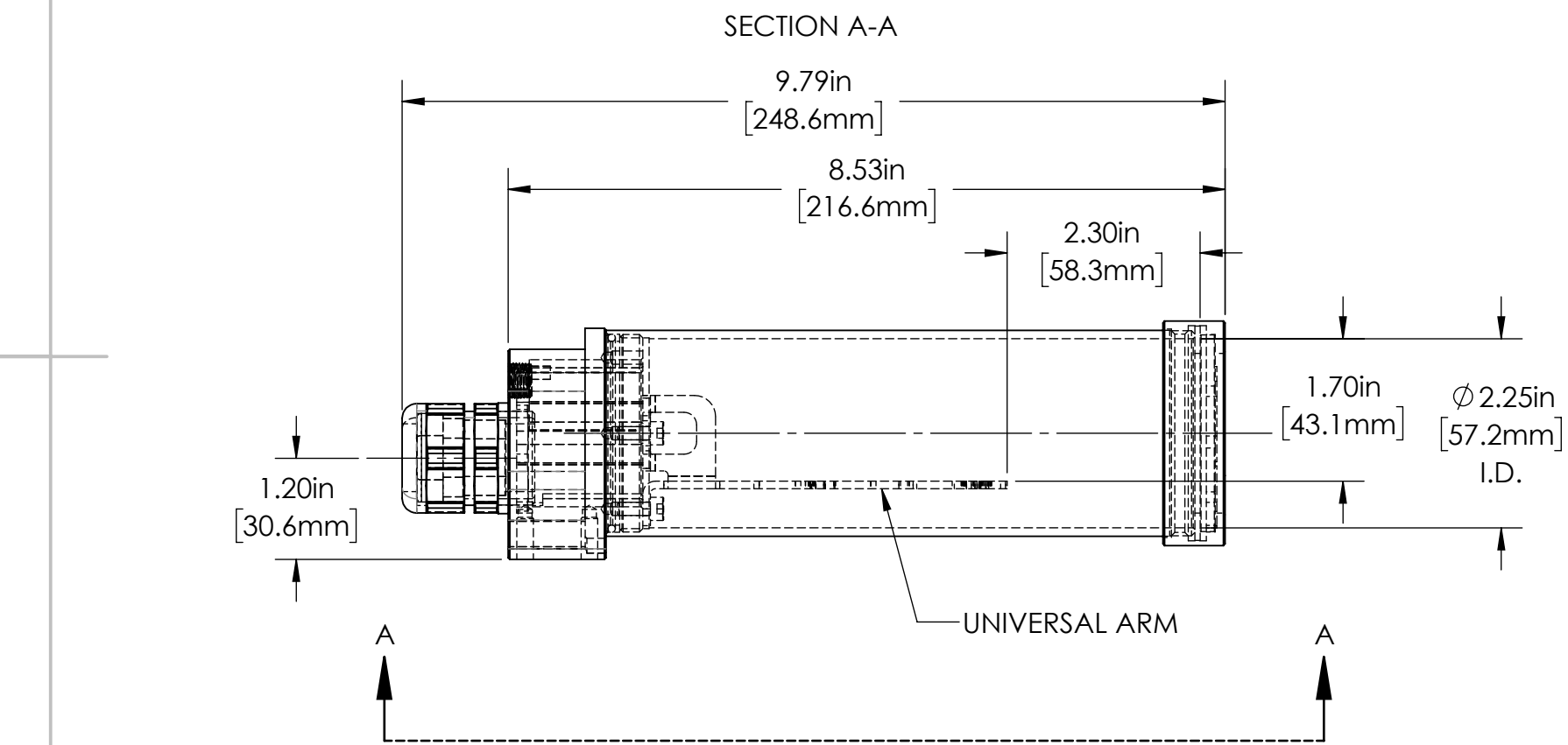
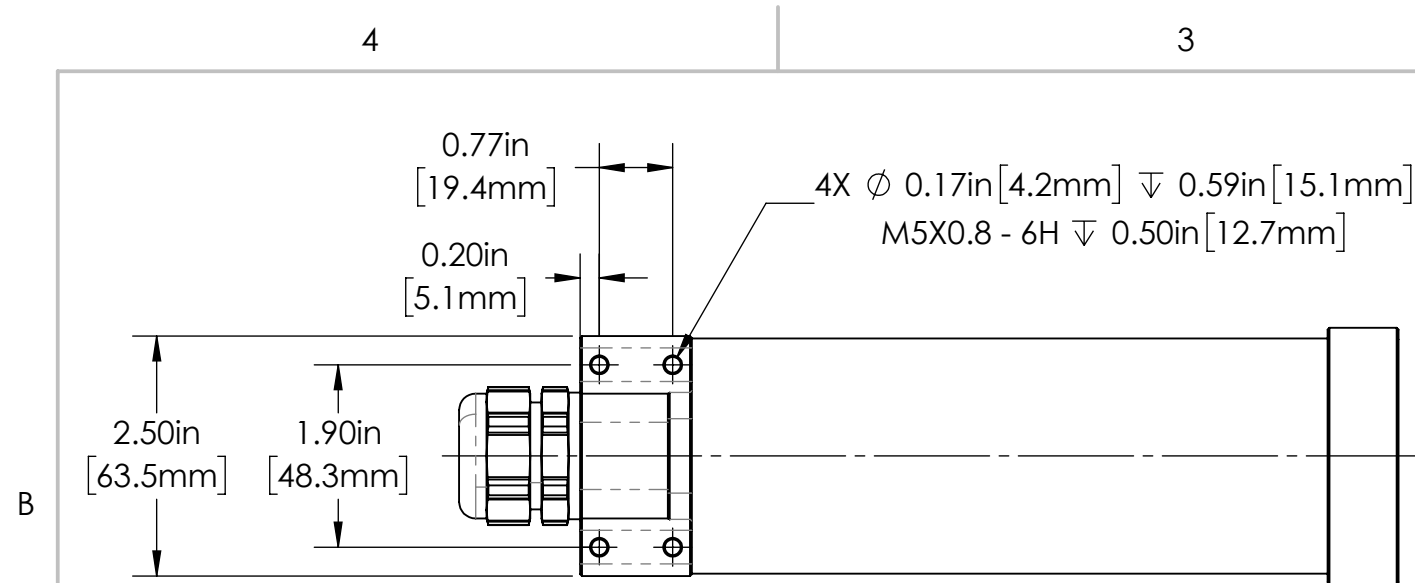
UNLESS OTHERWISE SPECIFIED: DIMENSIONS ARE IN INCHES SURFACE FINISH: TOLERANCES: .000= +/- 0.005" .00= +/- 0.010"				FINISH: CLEAR HARDCOAT ANODIZE		Allison Park Group, Inc. (APG) 4055 Alpha Drive Allison Park, PA 15101 USA Phone +1 (412) 487-8211 Fax +1 (412) 486-3157 www.apgvision.com	DO NOT SCALE DRAWING	REVISION
				DEBUR AND BREAK SHARP EDGES			This document is the property of APG and is considered company confidential. The information in this document is the property of APG and may not be used, reproduced, or distributed in whole or in part without the prior written permission of APG.	
				NAME	SIGNATURE	DATE	TITLE: 24C-BD (8.5in Brl, PG21)	
				DRAWN	SCHUBERT	3/16/2012		
				CHK'D				
				APPVD				
				MFG				
				Q.A				
				NOTES:				
				MATERIAL:		DWG NO. 24C-BD		A3
				WEIGHT:		SCALE: 1:2		SHEET 1 OF 1
NO.	CHANGE	DATE	INIT.					



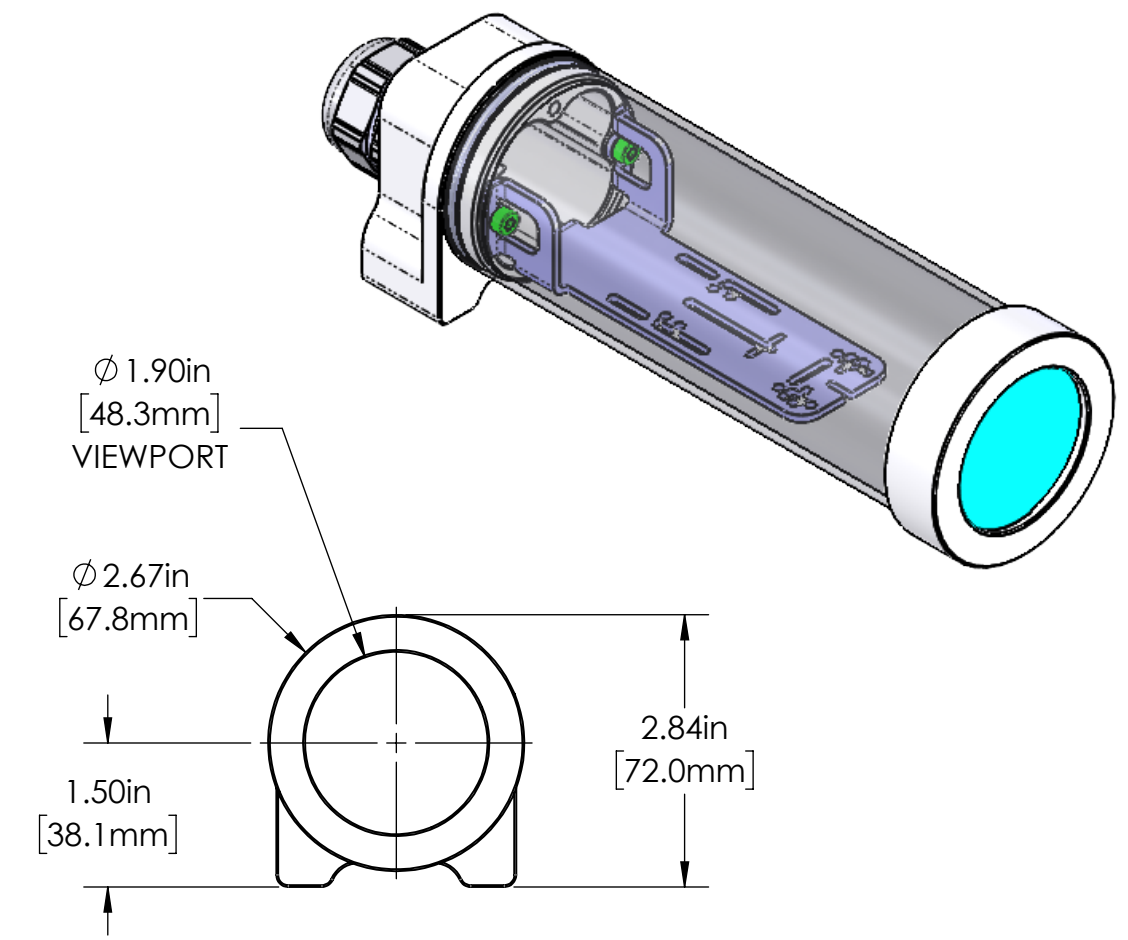
				UNLESS OTHERWISE SPECIFIED: DIMENSIONS ARE IN INCHES SURFACE FINISH: TOLERANCES: .000= +/- 0.005" .00= +/- 0.010"		FINISH: CLEAR HARDCOAT ANODIZE		Allison Park Group, Inc. (APG) 4055 Alpha Drive Allison Park, PA 15101 USA		DO NOT SCALE DRAWING		REVISION	
				LINEAR:		DEBUR AND BREAK SHARP EDGES		Phone +1 (412) 487-8211 Fax +1 (412) 486-3157		This document is the property of APG and is considered company confidential. The information in this document is the property of APG and may not be used, reproduced, or distributed in whole or in part without the prior written permission of APG			
				DRAWN		SIGNATURE		www.apgvision.com		TITLE: 24C-CK (IS8000 MOUNT 7 BRL ACRYLIC) ASSY			
				CHK'D				MATERIAL: ALUMINUM 6061 T6		DWG NO.		A3	
				APPVD				WEIGHT:		SCALE: 1:2		SHEET 1 OF 1	
				MFG									
				Q.A									
				NOTES:									
NO.	CHANGE	DATE	INIT.										



				UNLESS OTHERWISE SPECIFIED: DIMENSIONS ARE IN INCHES SURFACE FINISH: TOLERANCES: .000= +/- 0.005" .00= +/- 0.010"		FINISH: CLEAR HARDCOAT ANODIZE		Allison Park Group, Inc. (APG) 4055 Alpha Drive Allison Park, PA 15101 USA		DO NOT SCALE DRAWING		REVISION	
				LINEAR:		DEBUR AND BREAK SHARP EDGES		Phone +1 (412) 487-8211 Fax +1 (412) 486-3157		This document is the property of APG and is considered company confidential. The information in this document is the property of APG and may not be used, reproduced, or distributed in whole or in part without the prior written permission of APG			
				DRAWN		SIGNATURE		www.apgvision.com		TITLE: 24C-CL (IS8000 MOUNT 7 BRL GLASS) ASSY			
				CHK'D				MATERIAL: ALUMINUM 6061 T6		DWG NO.		A3	
				APPVD				WEIGHT:		SCALE: 1:2		SHEET 1 OF 1	
				MFG									
				Q.A									
				NOTES:									
NO.	CHANGE	DATE	INIT.										



REVISIONS				
ZONE	REV.	DESCRIPTION	DATE	APPROVED
	A	RELEASED FOR PRODUCTION	10/26/2020	DMM



24C SERIES PROPERTIES TABLE		
ENVIRONMENT RATING	IP65*	
	(*RATING MAY CHANGE IF INSTALLER MILLS CABLE GLAND OUTSIDE OF TOLERANCE)	
COMPONENT	MATERIAL	FINISH
BODY	6061 ALUMINUM	CLEAR HARDCOAT ANODIZED
VIEWPORT	GLASS	NONE
GASKET	40D SILICONE	NONE
ARM/ADAPTOR	304 SS	BURNISHED
HARDWARE	316 SS - EXTERNAL, 18-8 SS - INTERNAL	NONE

TOLERANCES UNLESS OTHERWISE SPECIFIED

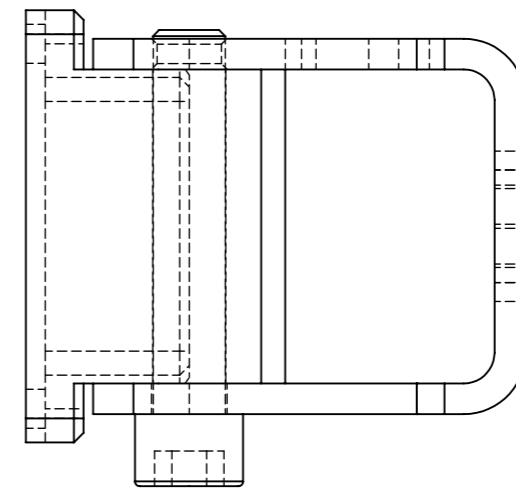
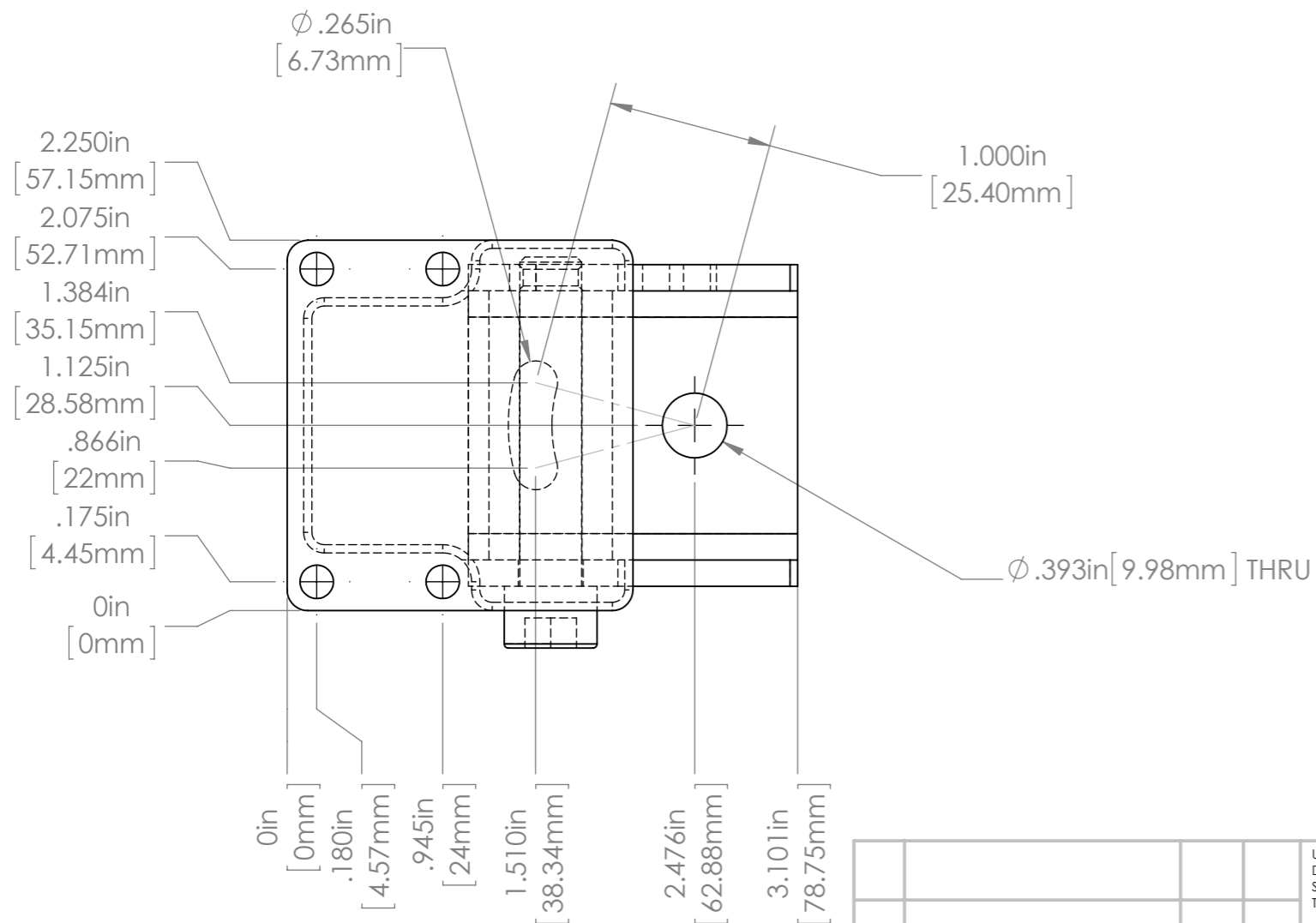
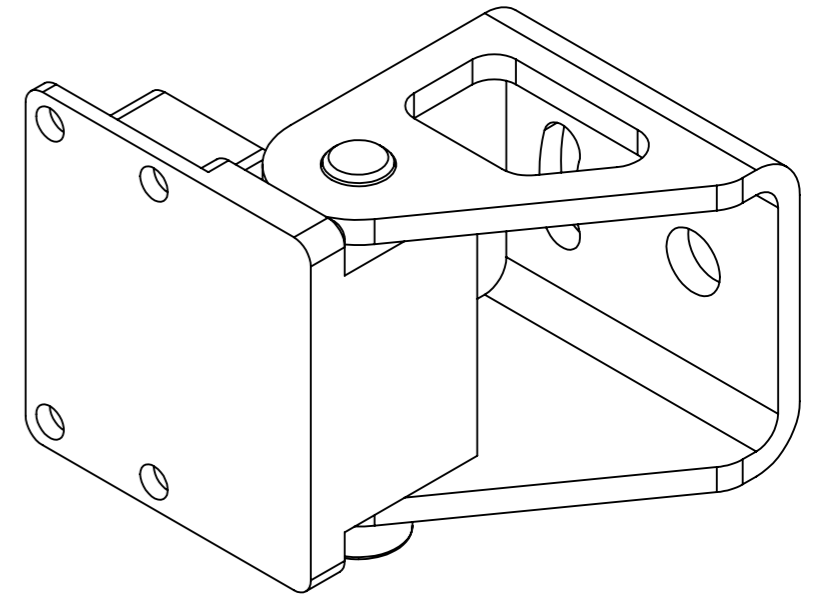
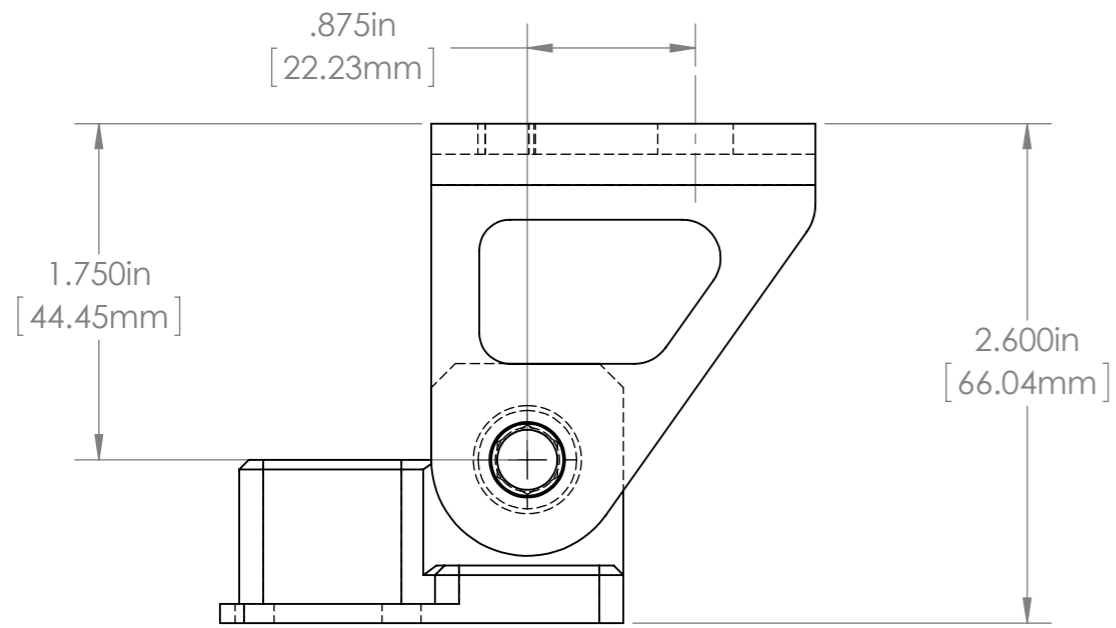
MACHINING		SHEET METAL	
X.X	0.0250"	HOLE TO HOLE (SAME SURFACE)	
X.XX	0.0100"	X.X	0.030"
X.XXX	0.0050"	X.XX	0.010"
X.XXXX	0.0005"	X.XXX	0.005"
ANGULAR	0.5°	X.XXX	0.015"
DEBURR ALL		HOLE TO FOLDED EDGE	
		X.X	0.035"
		X.XX	0.025"
		X.XXX	0.015"
		FOLD TO FOLD	
		X.X	0.045"
		X.XX	0.035"
		X.XXX	0.020"
		ANGULAR 1.0°	

ALL WEIGHTS ARE IN POUNDS

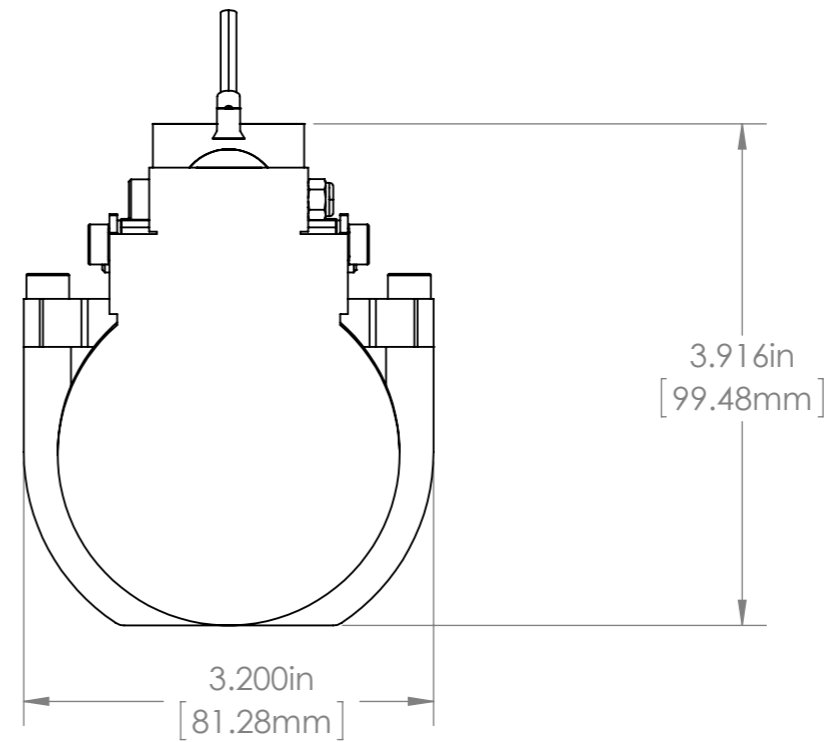
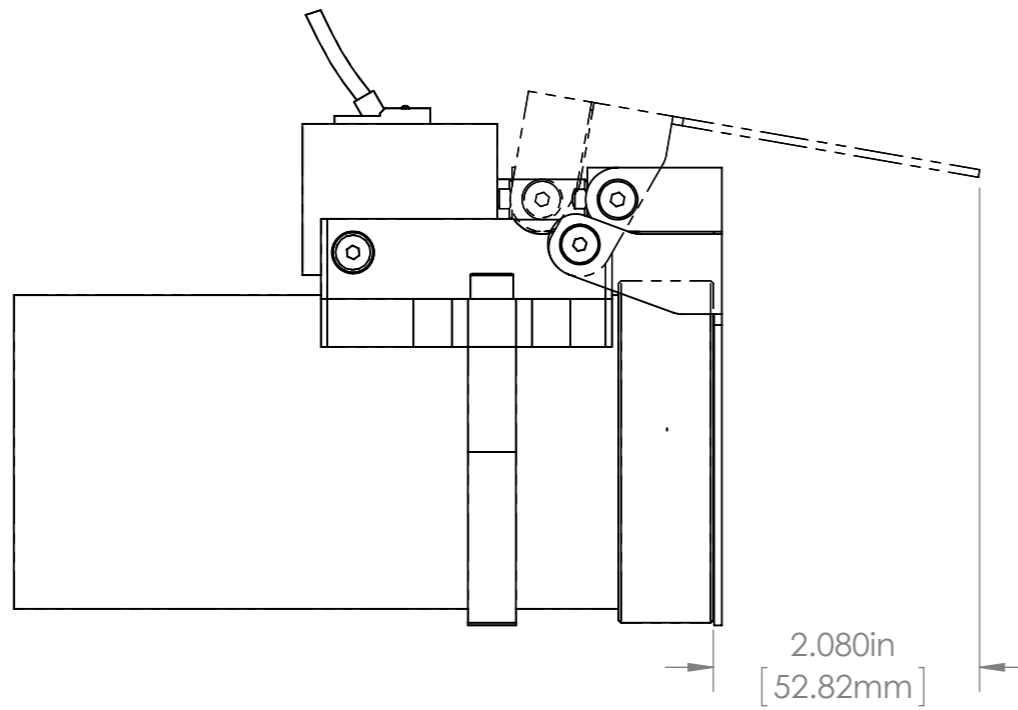
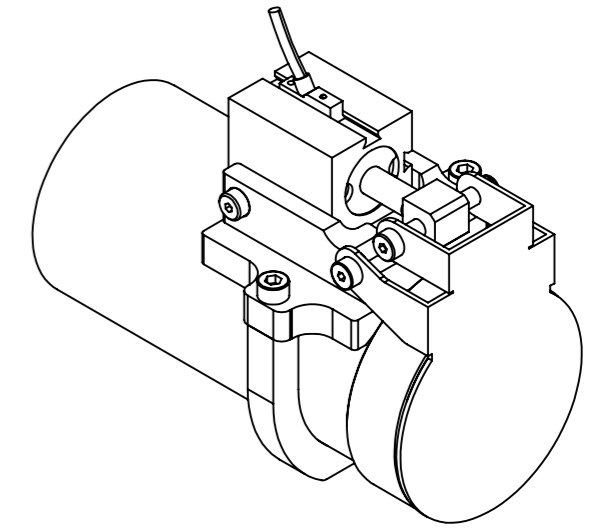
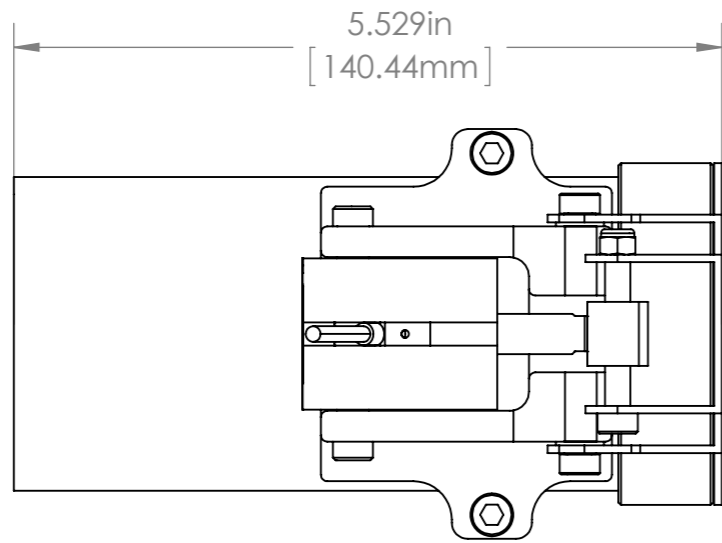
THIS PRINT IS THE PROPERTY OF ALLISON PARK GROUP. THE INFORMATION CONTAINED HEREIN IS CONFIDENTIAL. IT IS NOT TRANSFERABLE. IT IS FURNISHED WITH THE CLEAR UNDERSTANDING THAT IT IS NOT TO BE TRACED, REPRODUCED OR USED IN ANY PROCESS OF MANUFACTURING WITHOUT WRITTEN PERMISSION FROM THE OWNER AND IS RETURNABLE UPON DEMAND. ANY INFRINGEMENT UPON THE PATENT RIGHTS SHOWN HEREIN, WHETHER IN PART OR WHOLE, WILL BE PROSECUTED.

AS PART OF OUR POLICY OF CONTINUING DEVELOPMENT, ALLISON PARK GROUP RESERVES THE RIGHT TO ALTER SPECIFICATIONS WITHOUT PRIOR NOTICE.

apg		Allison Park Group, Inc (APG) 4055 Alpha Drive Allison Park, PA 15101 USA Phone +1 (412) 487-8211 apgvision.com		
DESCRIPTION: 24C-DN (7" UNIVERSAL, GLASS)				
MATERIAL: SEE BOM				
FINISH: SEE BOM				
DRAWN BY: DMM	DATE: 10/26/2020	SCALE: 1:2	SHT-SIZE: B	APPROX. WEIGHT
CHECKED BY: DMM	DATE: 10/26/2020	PART NUMBER: 24C-DN		REVISION: A
Sheet 1 of 1				



				UNLESS OTHERWISE SPECIFIED: DIMENSIONS ARE IN INCHES SURFACE FINISH: TOLERANCES: .000= +/- 0.005" .00= +/- 0.010"		FINISH: DEBUR AND BREAK SHARP EDGES		DO NOT SCALE DRAWING		REVISION	
				LINEAR:				Allison Park Group, Inc. (APG) 4055 Alpha Drive Allison Park, PA 15101 USA		This document is the property of APG and is considered company confidential. The information in this document is the property of APG and may not be used, reproduced, or distributed in whole or in part without the prior written permission of APG	
				DRAWN		NAME		SIGNATURE		DATE	
				CHK'D						7/17/2015	
				APPVD							
				MFG							
				Q.A							
				NOTES:						TITLE: 24C-PT1 (PAN & TILT)	
								MATERIAL:		DWG NO. 24C-PT1	
								WEIGHT:		SCALE: 1:1	
										SHEET 1 OF 1	
NO.		CHANGE		DATE		INIT.				A3	



For more information please contact:

BOCK OPTRONICS INC.
14 Steinway Blvd., Unit 7
Toronto, Ontario M9W 6M6

Tel: (416) 674-2804
sales@bockoptronics.ca
www.bockoptronics.ca

				UNLESS OTHERWISE SPECIFIED: DIMENSIONS ARE IN INCHES SURFACE FINISH: TOLERANCES: .000= +/- 0.005" .00= +/- 0.010"		FINISH: CLEAR HARDCOAT ANODIZE DEBUR AND BREAK SHARP EDGES		Allison Park Group, Inc. (APG) 4055 Alpha Drive Allison Park, PA 15101 USA		DO NOT SCALE DRAWING		REVISION			
				LINEAR:		DRAWN: SCHUBERT		DATE: 2/6/2012		This document is the property of APG and is considered company confidential. The information in this document is the property of APG and may not be used, reproduced, or distributed in whole or in part without the prior written permission of APG.					
				CHK'D:		APPV'D:		MFG:		Q.A:		MATERIAL: ALUMINUM 6061 T6		TITLE: SA-AD ASSY	
				NOTES:		MATERIAL: ALUMINUM 6061 T6		WEIGHT:		SCALE: 1:2		SHEET 1 OF 1		DWG NO. SA-AD ASSY	
NO. CHANGE				DATE INIT.								A3			