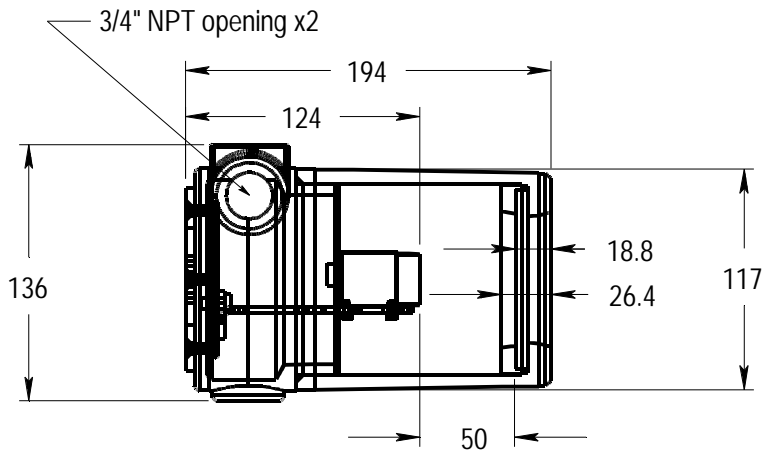
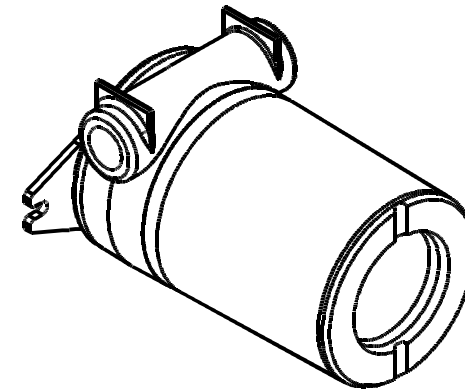
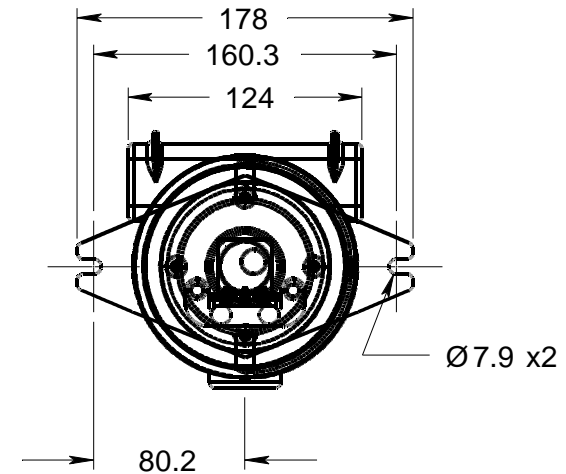


Mounting hole patterns for most 29/30mm high cameras including AVT, Keyence, Omron, Point Grey, Sony, etc.



(4) M3 and (4) M2 fasteners included

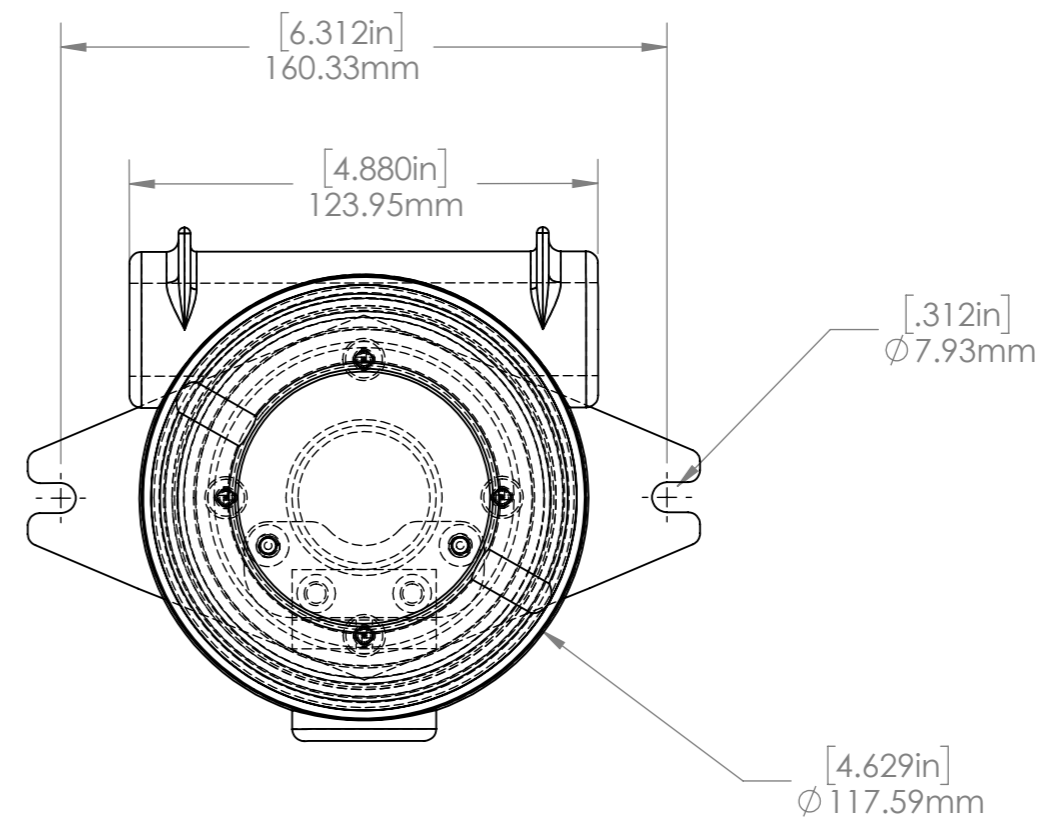
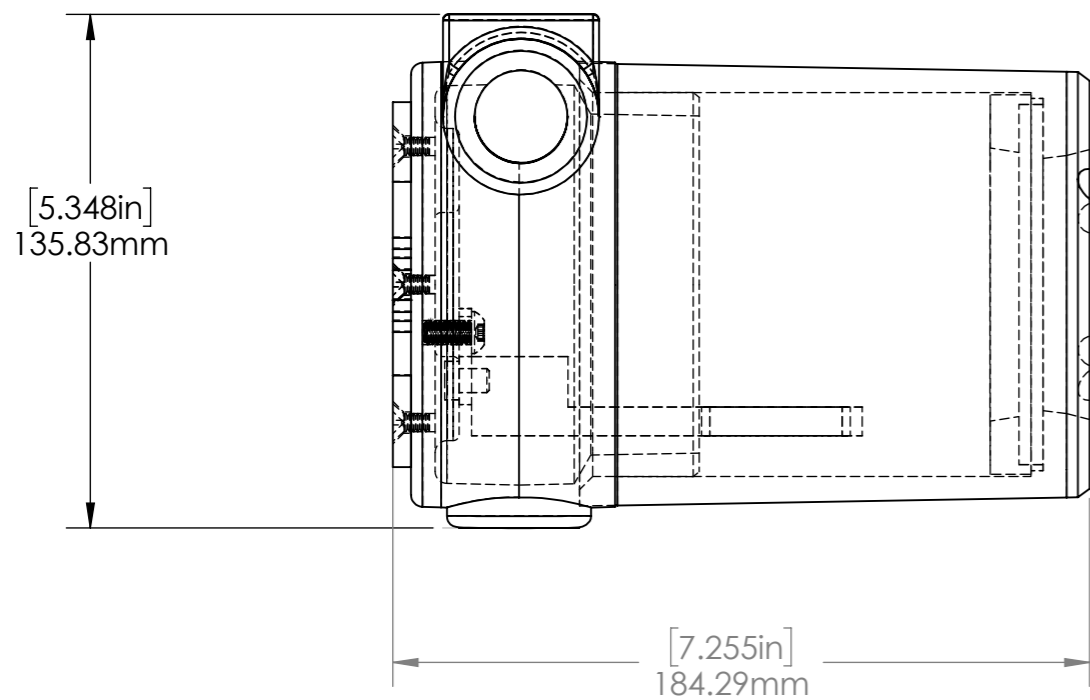
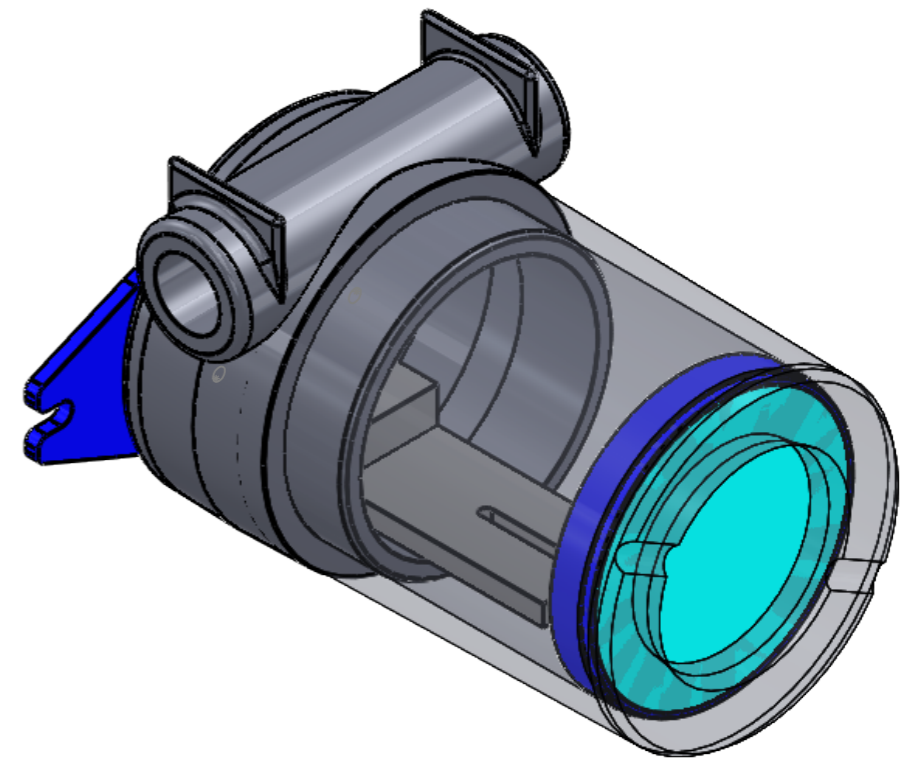
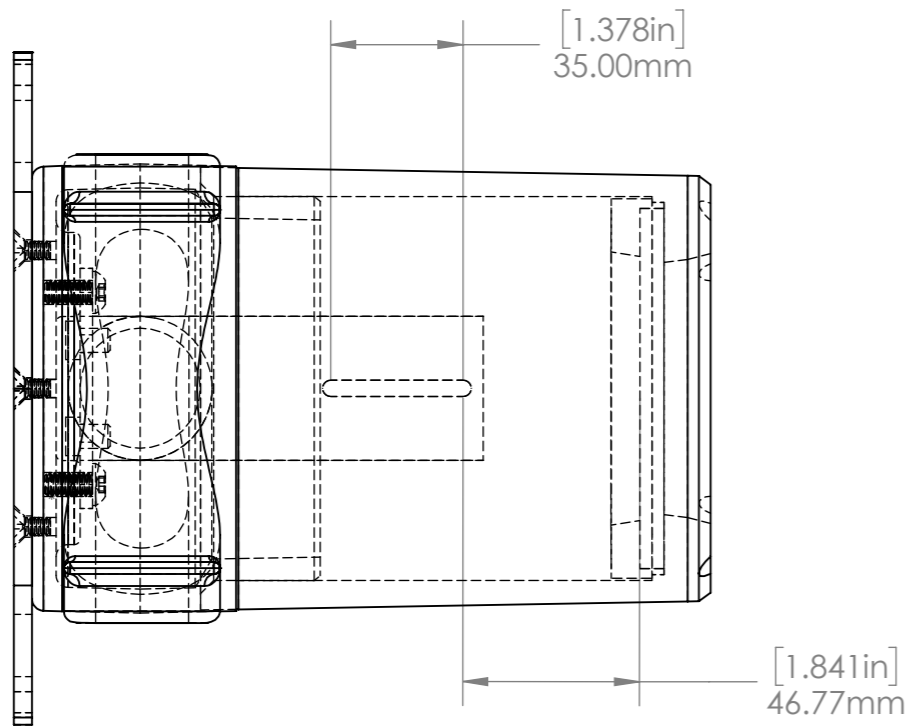


Material: Aluminum  
Ratings: NEMA 3, 4X, 7 & 9

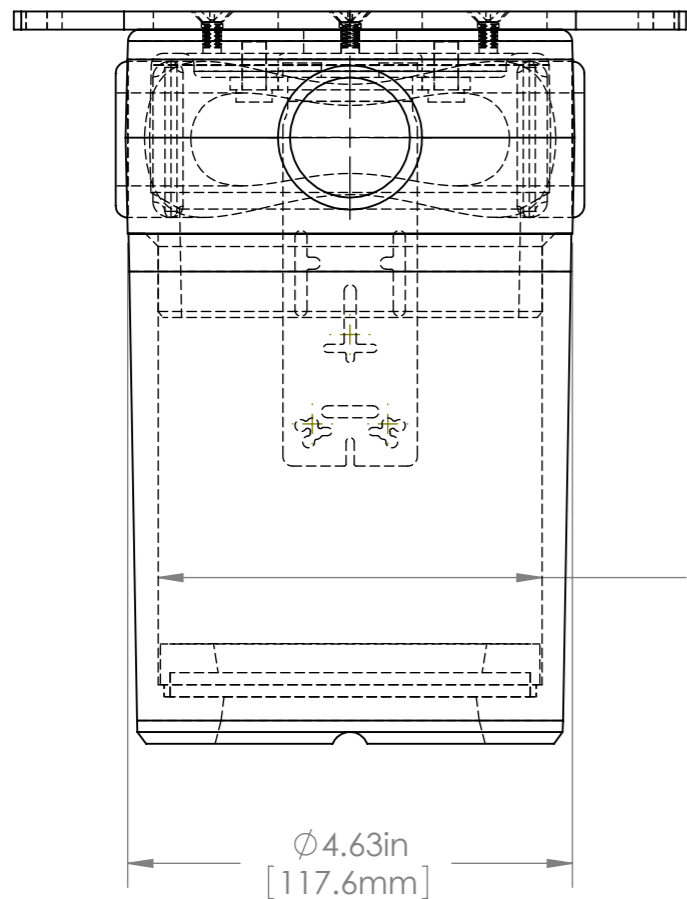
Compliances: NEC  
Class I, Groups B, C & D  
Class II, Groups E, F & G  
Class III

Approvals:  
UL Classified Standard 1203  
CSA Certified Standard C22.2-30  
FM Class No. 3615  
ATEX - EX II 2 G EEx d IIC

1.1	Add ATEX approval	2009/08/27	ccm		Name	Date	Title Universal Arm for 30mm high cameras	
1.2	Correct error in Class I NEC	2011/10/11	ccm	Created By	ccm	2007/12/19		
				Checked By				
				Scale			Drawing Number	
No	Change	Date	Init	Allison Park Group, Inc. (APG) 4091 Route 8, Suite 300 Allison Park, PA 15101 USA Phone +1 (412) 487-8211 Fax +1 (412) 486-3157 www.apgvision.com			Issue	
This document is the property of APG and is considered company confidential. The information in this document is the property of APG and may not be used, reproduced or distributed in whole or in part without the prior written permission of APG.							C2-AG	



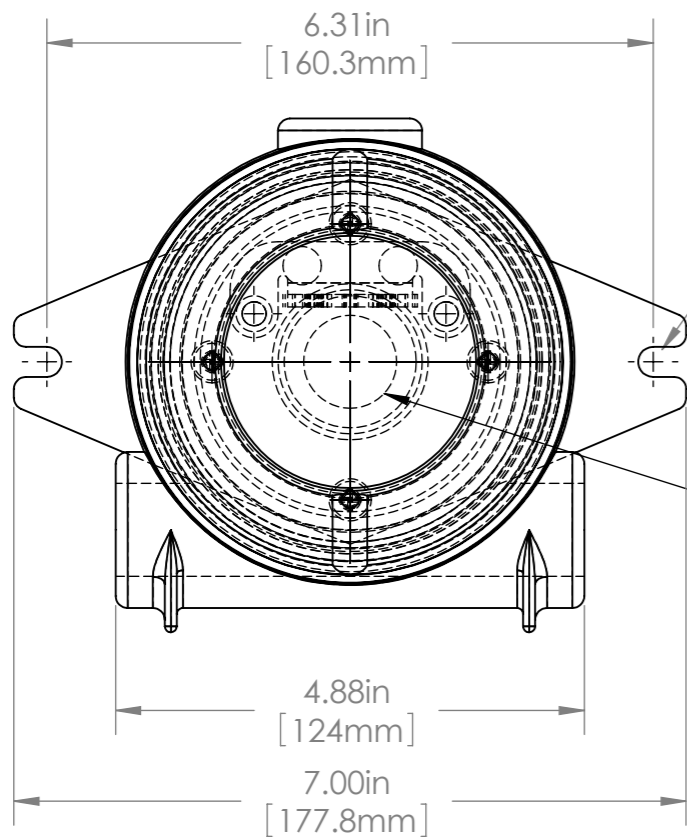
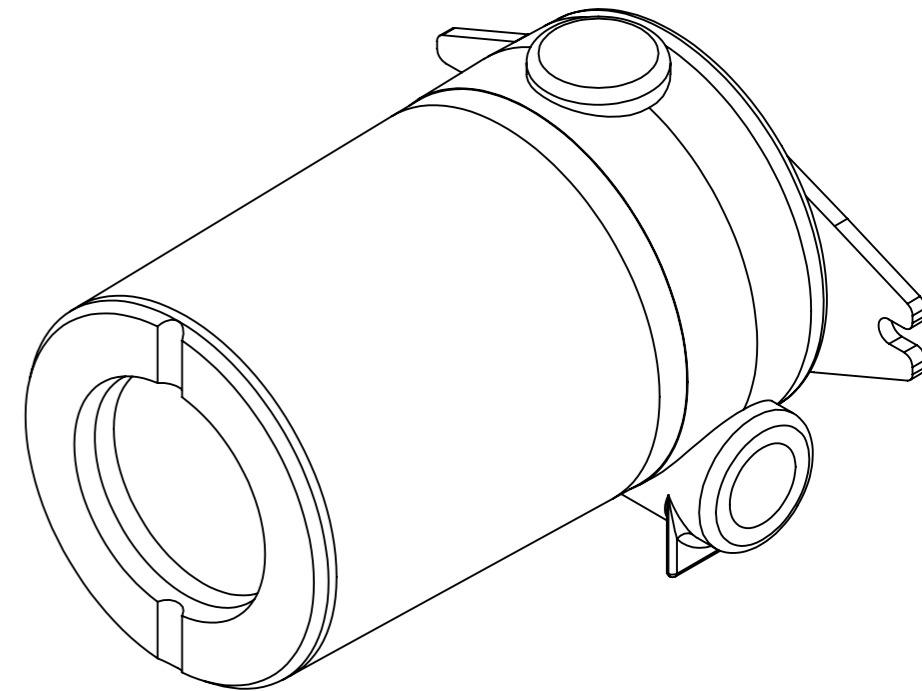
				UNLESS OTHERWISE SPECIFIED: DIMENSIONS ARE IN INCHES SURFACE FINISH: TOLERANCES: .000= +/- 0.005" .00= +/- 0.010"	FINISH: DEBUR AND BREAK SHARP EDGES	Allison Park Group, Inc. (APG) 4055 Alpha Drive Allison Park, PA 15101 USA	DO NOT SCALE DRAWING	REVISION
				LINEAR:		Phone +1 (412) 487-8211 Fax +1 (412) 486-3157	This document is the property of APG and is considered company confidential. The information in this document is the property of APG and may not be used, reproduced, or distributed in whole or in part without the prior written permission of APG.	
						www.apgvision.com	TITLE: <b>C2-AM ASSY DIMS</b>	
						MATERIAL: CAST ALUMINUM	DWG NO.	<b>C2-AM</b>
						WEIGHT:	SCALE: 1:5	A3
							SHEET 1 OF 1	
NO.	CHANGE	DATE	INIT.					



Ø4.00in ID  
[101.5mm]

Ø4.63in  
[117.6mm]

Material: Aluminum  
 Ratings: NEMA 3, 4X, 7 & 9  
 Compliances: NEC  
 Class I, Groups B, C & D  
 Class II, Groups E, F & G  
 Class III  
 Approvals:  
 UL Classified Standard 1203  
 CSA Certified Standard C22.2-30  
 FM Class No. 3615  
 2009/09/01  
 C2-AL 1.0  
 Universal Arm for 30mm high cameras  
 ATEX - EX II 2 G EEx d IIC

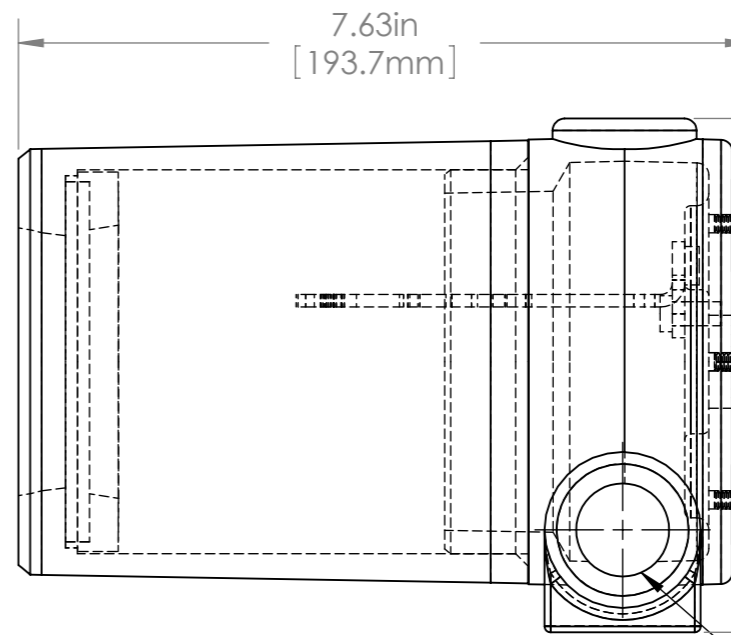


2 Ø0.31in  
[7.9mm]

REAR 3/4" NPT OPENING  
FOR LONGER  
CAMERAS/CABLING

4.88in  
[124mm]

7.00in  
[177.8mm]

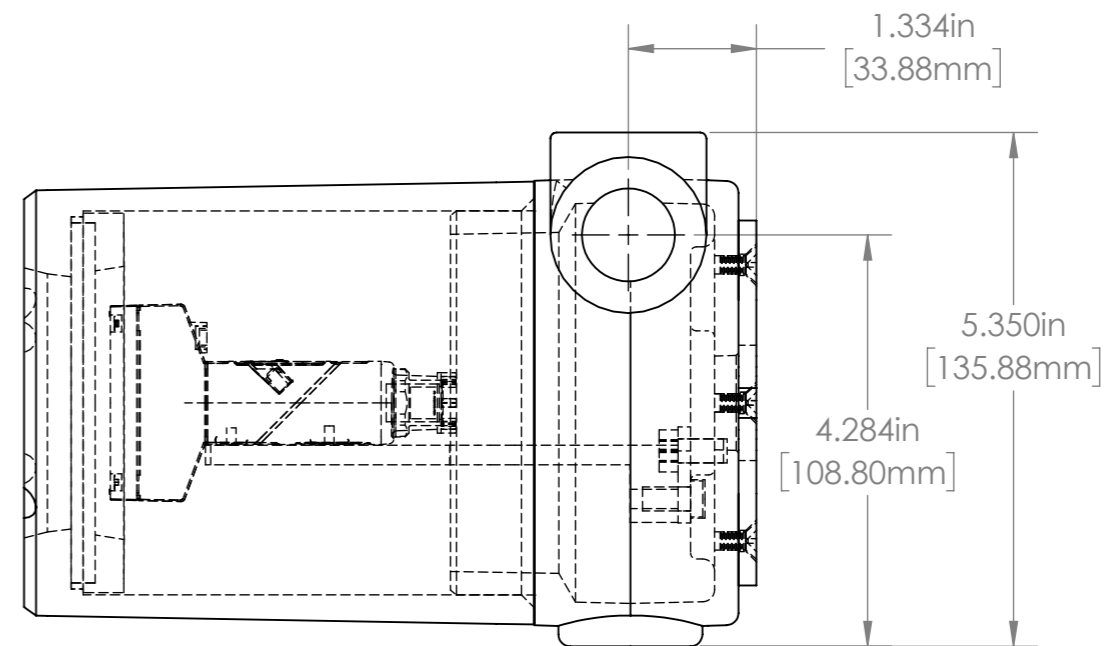
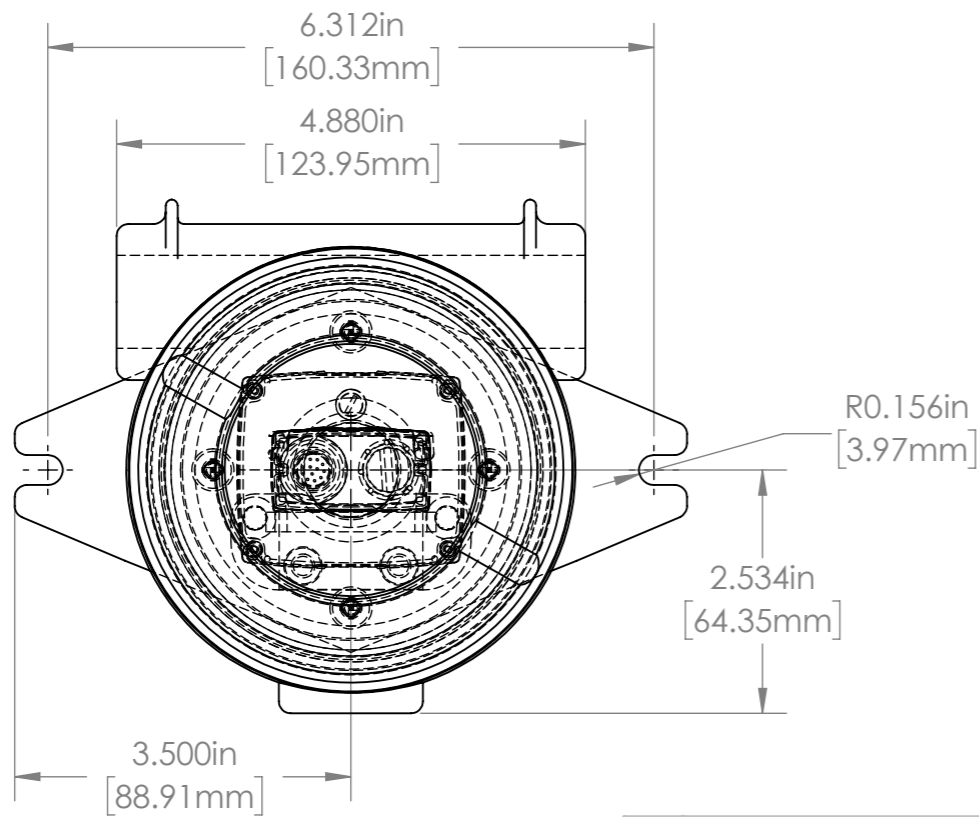
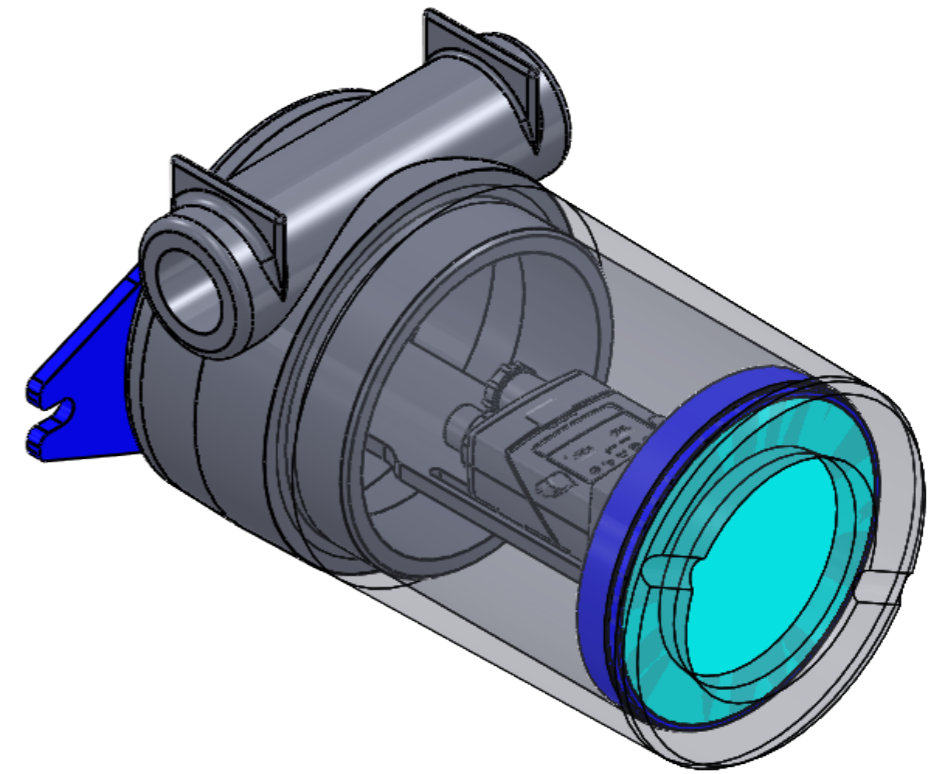
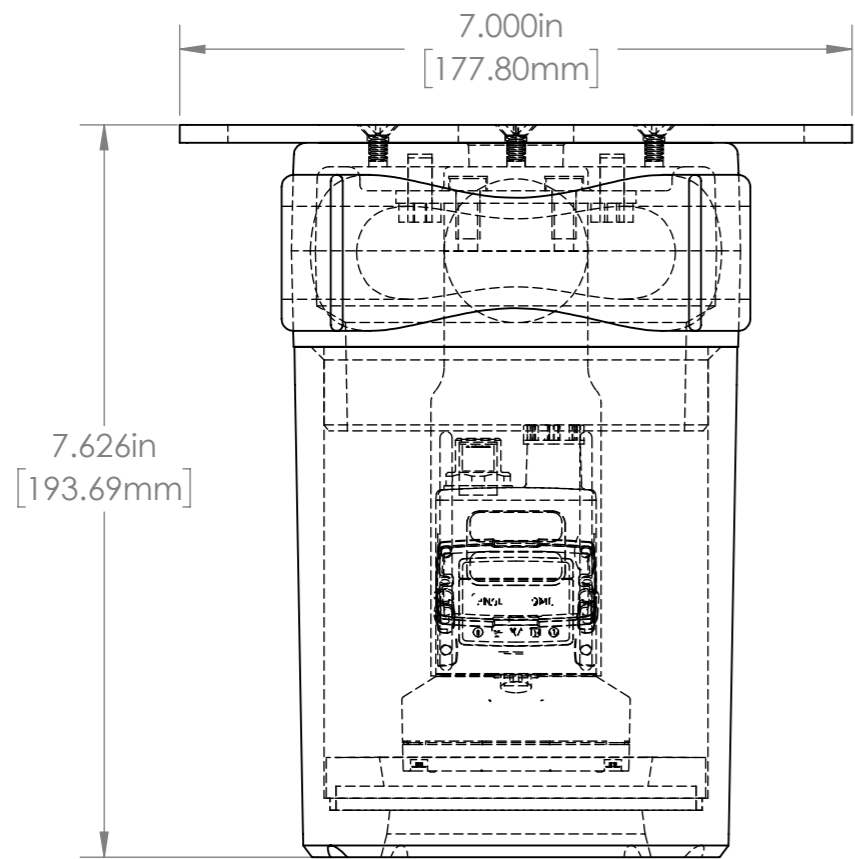


7.63in  
[193.7mm]

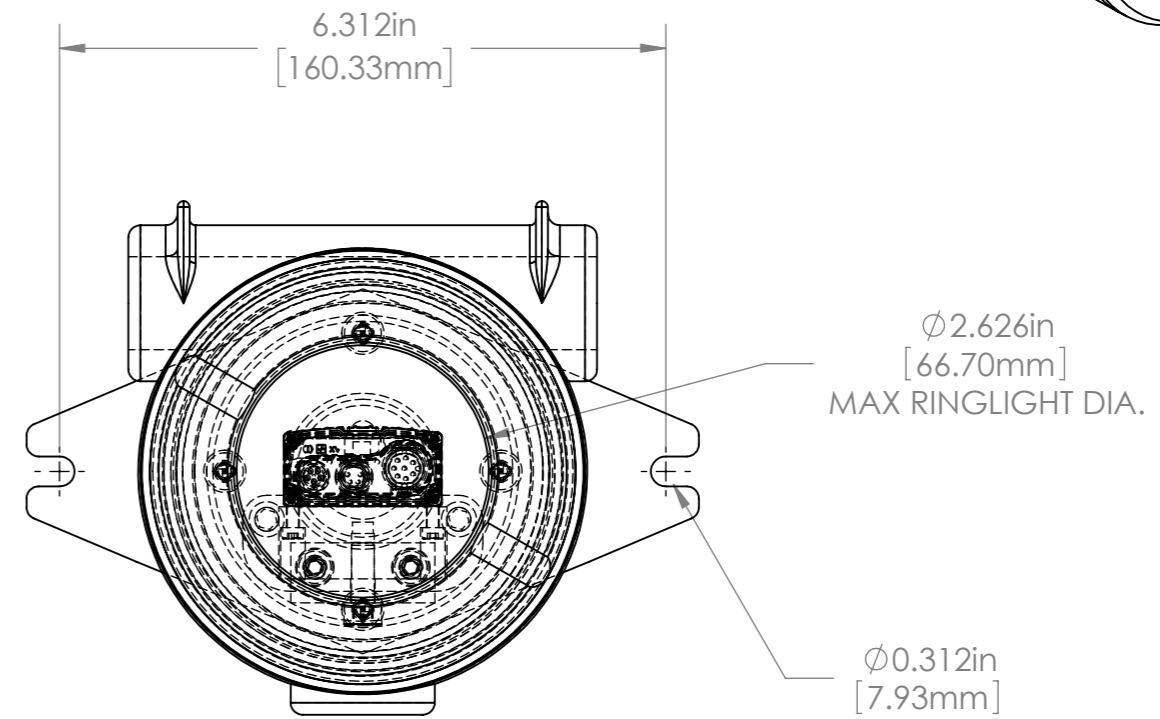
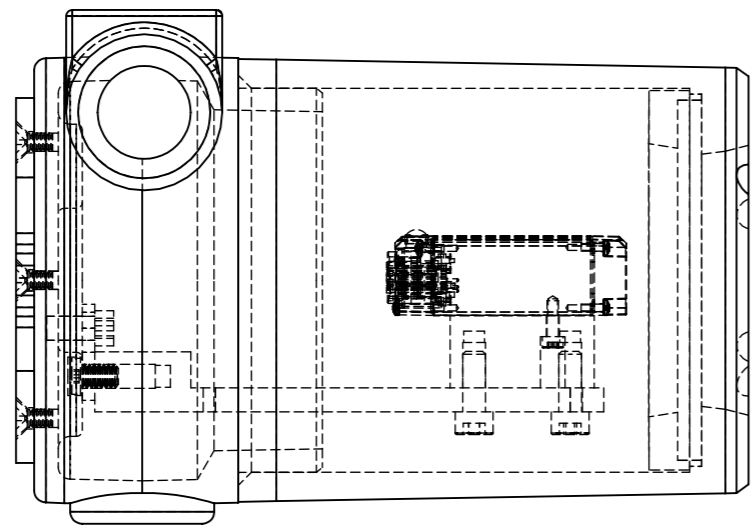
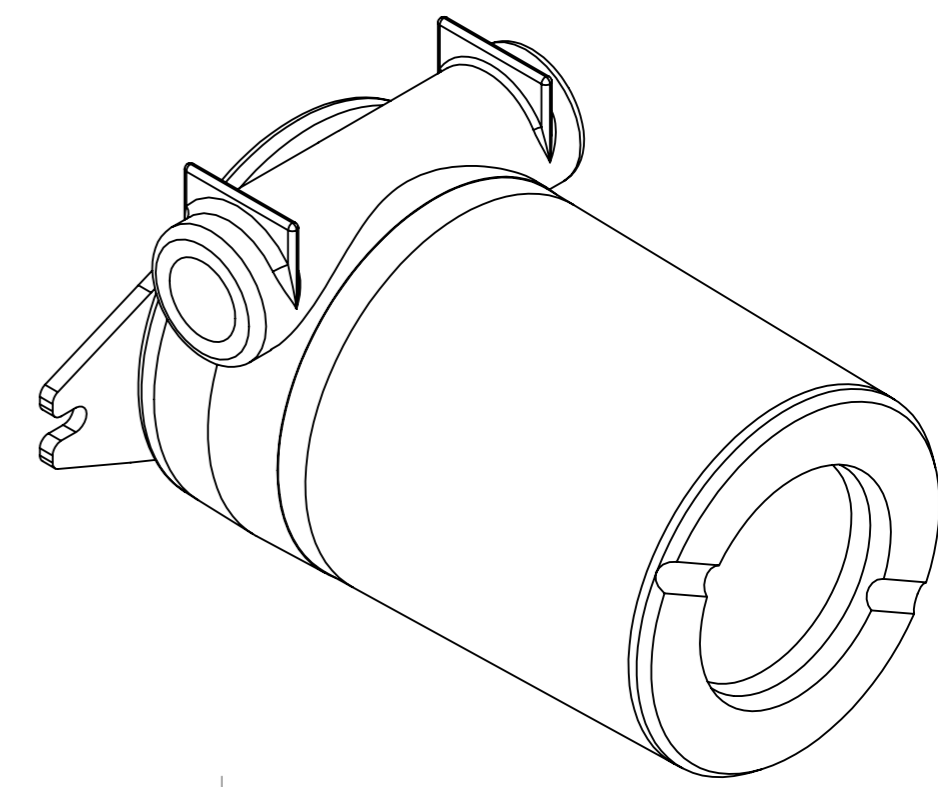
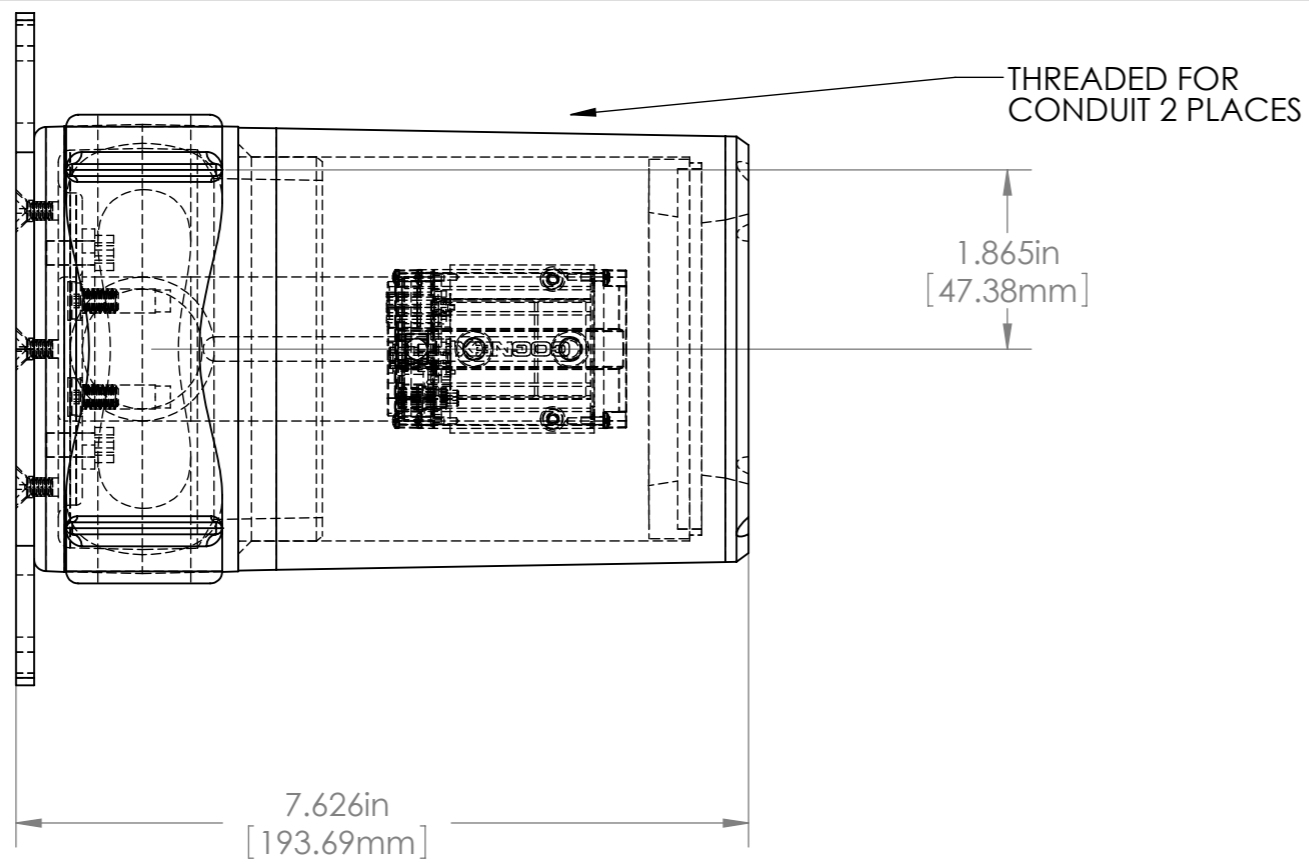
5.35in  
[135.9mm]

3/4" NPT OPENING x 2

				UNLESS OTHERWISE SPECIFIED: DIMENSIONS ARE IN INCHES SURFACE FINISH: TOLERANCES: .000= +/- 0.005" .00= +/- 0.010"	FINISH: DEBUR AND BREAK SHARP EDGES	Allison Park Group, Inc. (APG) 4055 Alpha Drive Allison Park, PA 15101 USA	DO NOT SCALE DRAWING	REVISION
				LINEAR:		Phone +1 (412) 487-8211 Fax +1 (412) 486-3157	This document is the property of APG and is considered company confidential. The information in this document is the property of APG and may not be used, reproduced, or distributed in whole or in part without the prior written permission of APG.	
						www.apgvision.com	TITLE: C2-AL ASSY DIMS (UNIVERSAL ARM REAR CONDUIT)	
						MATERIAL: ALUMINUM	DWG NO. C2-AL	A3
						WEIGHT:	SCALE:1:5	SHEET 1 OF 1
NO.	CHANGE	DATE	INIT.					



				UNLESS OTHERWISE SPECIFIED: DIMENSIONS ARE IN INCHES SURFACE FINISH: TOLERANCES: .000= +/- 0.005" .00= +/- 0.010"		FINISH: DEBUR AND BREAK SHARP EDGES		Allison Park Group, Inc. (APG) 4055 Alpha Drive Allison Park, PA 15101 USA		DO NOT SCALE DRAWING		REVISION	
				LINEAR:				Phone +1 (412) 487-8211 Fax +1 (412) 486-3157		This document is the property of APG and is considered company confidential. The information in this document is the property of APG and may not be used, reproduced, or distributed in whole or in part without the prior written permission of APG		TITLE:	
				DRAWN		NAME		www.apgvision.com		C2-AY			
				CHK'D		OLSON				C2-AY			
				APPVD						C2-AY			
				MFG						C2-AY			
				Q.A						C2-AY			
				NOTES:						C2-AY			
				MATERIAL:		ALUMINUM				DWG NO.		A3	
				WEIGHT:						SCALE: 1:5		SHEET 1 OF 1	
NO.		CHANGE		DATE		INIT.							



For more information please contact:



**BOCK OPTRONICS INC.**  
 14 Steinway Blvd., Unit 7  
 Toronto, Ontario M9W 6M6  
 Tel: (416) 674-2804  
[sales@bockoptronics.ca](mailto:sales@bockoptronics.ca)  
[www.bockoptronics.ca](http://www.bockoptronics.ca)

				UNLESS OTHERWISE SPECIFIED: DIMENSIONS ARE IN INCHES SURFACE FINISH: TOLERANCES: .000= +/- 0.005" .00= +/- 0.010"		FINISH: <b>AS SUPPLIED</b> DEBUR AND BREAK SHARP EDGES		Allison Park Group, Inc. (APG) 4055 Alpha Drive Allison Park, PA 15101 USA		DO NOT SCALE DRAWING		REVISION	
				LINEAR:				Phone +1 (412) 487-8211 Fax +1 (412) 486-3157		This document is the property of APG and is considered company confidential. The information in this document is the property of APG and may not be used, reproduced, or distributed in whole or in part without the prior written permission of APG.			
				DRAWN		NAME		SIGNATURE		DATE		TITLE:	
				CHK'D		SCHUBERT				3/5/2019		C2-BB (DATAMAN 200) ASSY	
				APPV'D								DWG NO.	
				MFG								C2-BB ASSY DIMS	
				Q.A								A3	
				NOTES:								SCALE: 1:2	
				MATERIAL:				CAST ALUMINUM				SHEET 1 OF 1	
				WEIGHT:									
NO.		CHANGE		DATE		INIT.							