

# VQ Series

Ultra-Compact and Cost-Effective CMOS Cameras

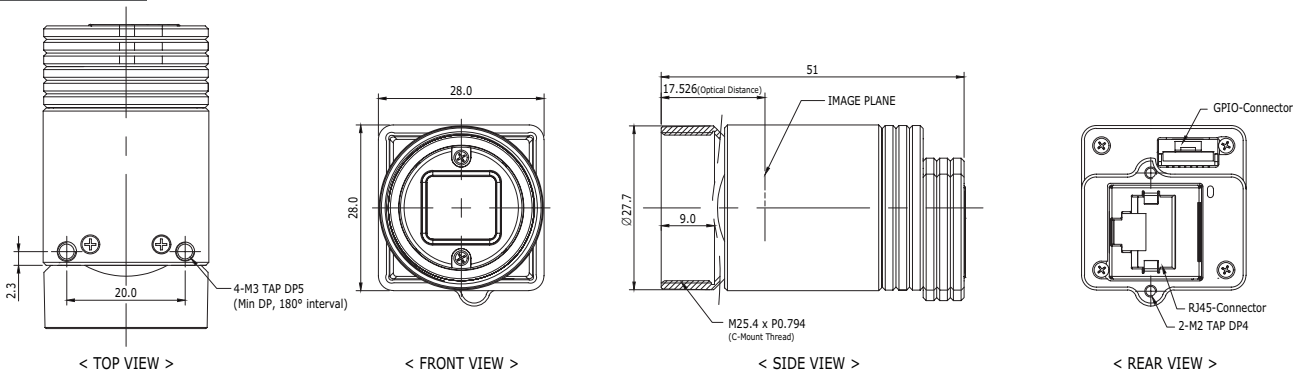
## Applications

- Industrial Inspection – Wafer, Flat Panel Display, Solar Panel, etc.
- Food Sorting and Inspection
- Microscopy

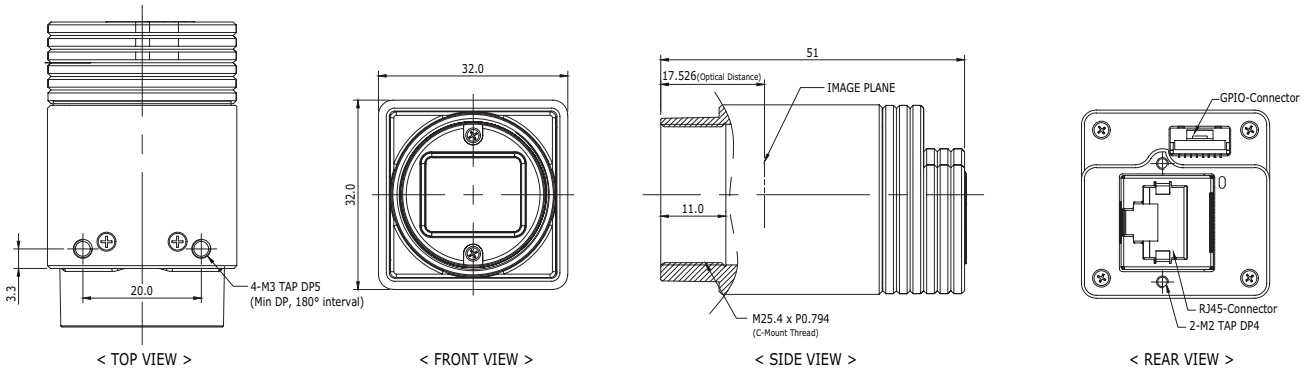
## Mechanical Dimensions

Unit: mm

VQ-400G2-M/C 291 H  
 VQ-1600G2-M/C 77 H  
 VQ-2MG2-M/C 52 H  
 VQ-3MG2-M/C 38 H  
 VQ-5MG2-M/C 24 H



VQ-12MG2-M/C 10 H  
 VQ-20MG2-M/C 6 H



# VQ Series

Ultra-Compact and Cost-Effective CMOS Cameras

For more information please contact:



**BOCK OPTONICS INC.**  
14 Steinway Blvd., Unit 7  
Toronto, Ontario M9W 6M6

Tel: (416) 674-2804  
[sales@bockoptonics.ca](mailto:sales@bockoptonics.ca)  
[www.bockoptonics.ca](http://www.bockoptonics.ca)



## Specifications

Model	Resolution	Frame Rate	Interface	Optical Format	Sensor	Pixel Size
VQ-400G2-M/C 291 H	728 × 544	291 fps	GigE	1/2.9"	Sony IMX287	6.90 $\mu\text{m}$ × 6.90 $\mu\text{m}$
VQ-1600G2-M/C 77 H	1440 × 1080	77 fps	GigE	1/2.9"	Sony IMX273	3.45 $\mu\text{m}$ × 3.45 $\mu\text{m}$
VQ-2MG2-M/C 52 H	1920 × 1200	52 fps	GigE	1/2.3"	Sony IMX392	3.45 $\mu\text{m}$ × 3.45 $\mu\text{m}$
VQ-3MG2-M/C 38 H	2048 × 1536	38 fps	GigE	1/1.8"	Sony IMX265	3.45 $\mu\text{m}$ × 3.45 $\mu\text{m}$
VQ-5MG2-M/C 24 H	2448 × 2048	24 fps	GigE	2/3"	Sony IMX264	3.45 $\mu\text{m}$ × 3.45 $\mu\text{m}$
VQ-12MG2-M/C 10 H	4096 × 3000	9.9 fps	GigE	1.1"	Sony IMX304	3.45 $\mu\text{m}$ × 3.45 $\mu\text{m}$
VQ-20MG2-M/C 6 H	5472 × 3648	6 fps	GigE	1"	Sony IMX183	2.40 $\mu\text{m}$ × 2.40 $\mu\text{m}$

**VIEWORKS**

[www.vieworks.com](http://www.vieworks.com)