

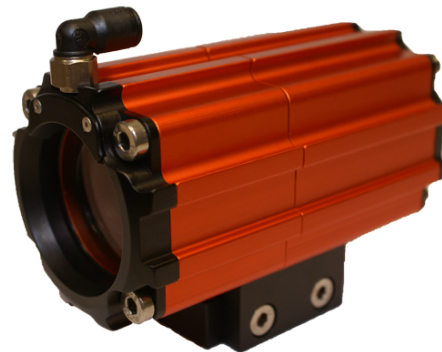


Machine Vision Camera Enclosure IP67 Nano Series

As a leading innovator in the Machine Vision Industry, CEI is proud to introduce our new line of Machine Vision Camera Enclosures, Cables, and Accessories for demanding vision applications.

IP67 29mm Series Camera Enclosure Key Features

- CEI Integrated Connector Design (no cord grips)
- IP67 protection
- Design for popular Dalsa Genie Nano camera models
- Excellent heat dissipation
- Allows changing and focusing Optics while mounted
- Flexible mounting options
- High quality (easy to replace) windows by Midwest Optical
- Lightweight low-profile design
- Type 2 anodizing
- Options: Mounts, Visors, Air Curtains, Windows & Filters
- Options: Custom Sizes, lengths, Cables
- Options: Complete Solutions (Camera, Enclosure, Cabling)
- Competitive pricing
- Made in USA, Patent Pending



Enclosure Specs (CEI IP67 Nano Series)

Camera: Dalsa Genie Nano machine vision

Optics: Supports a wide range of C-Mount optics

Window: MIDOPT Polycarbonate – AR coated

Interface Connector: M12 X-Code Ethernet

Optional Connector: Hirose 12 pin male

Mounting: 2 x 1/4"-20, SLM-1 pattern with adapter

Sealing: IP67

Material: 6063 Aluminum

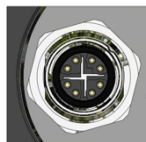
Coating: Type 2 anodized

Length: 133 mm (with Lens Cover and M12 connector.)

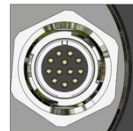
Height / Width: 66 mm square

Window Diameter: 42 mm

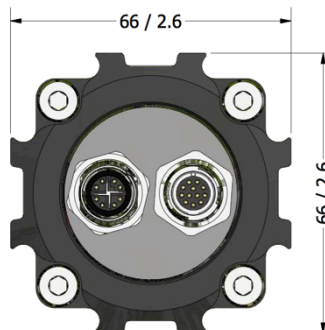
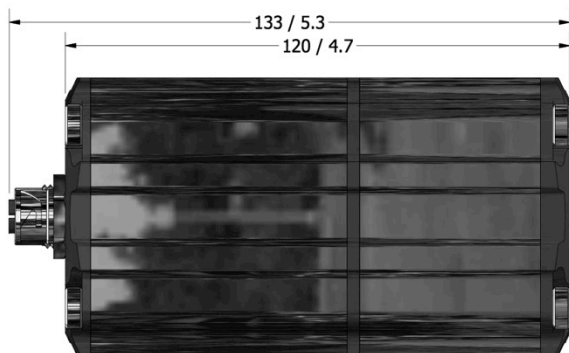
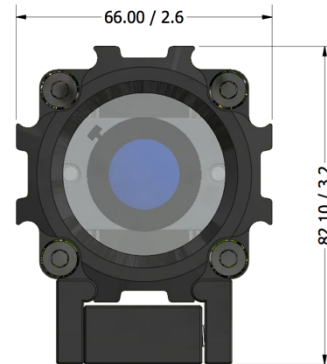
Weight: 880 g (typical weight fully assembled W/ Camera)



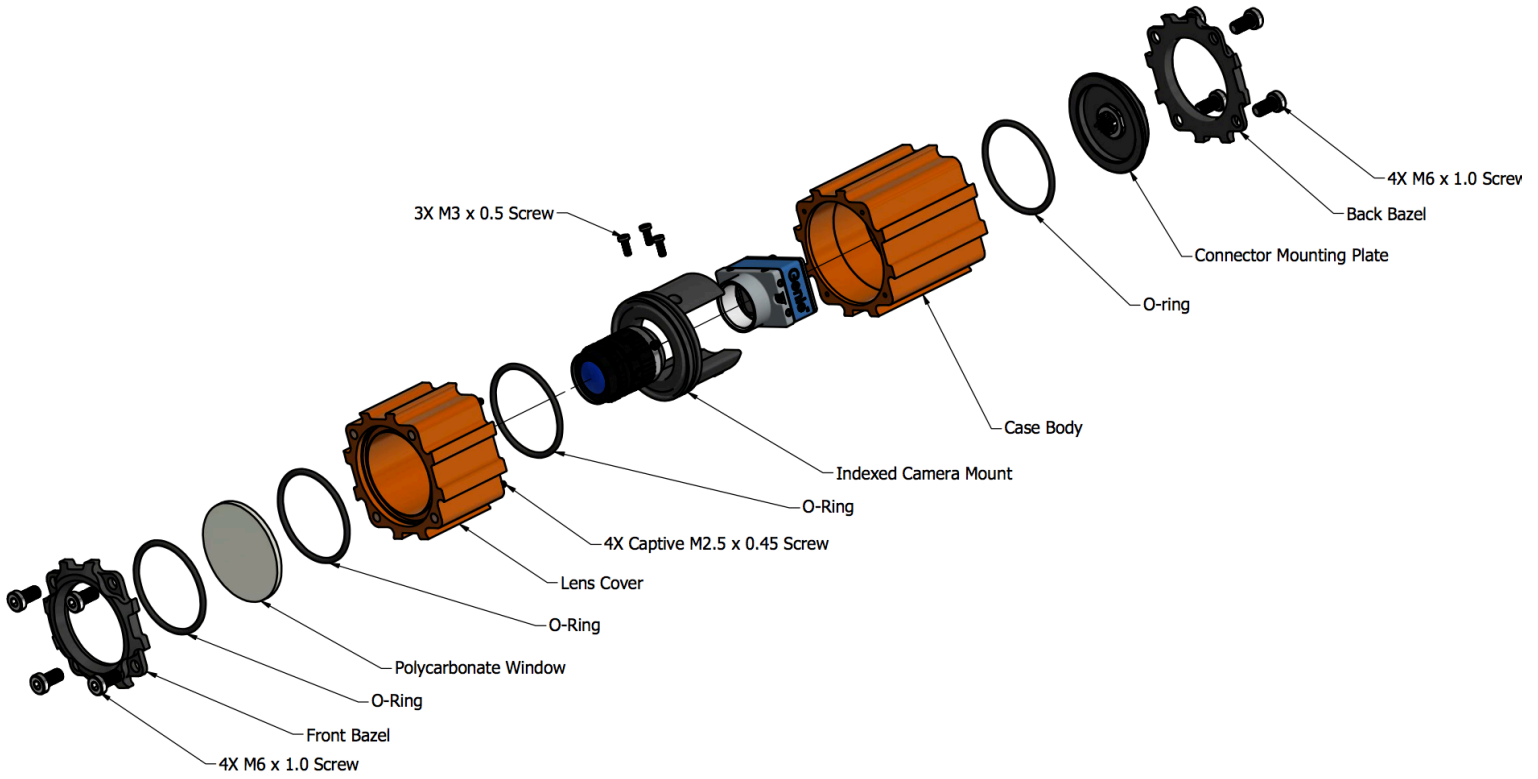
Data Connector
M12 X-Coded Female
IP67 When Mated



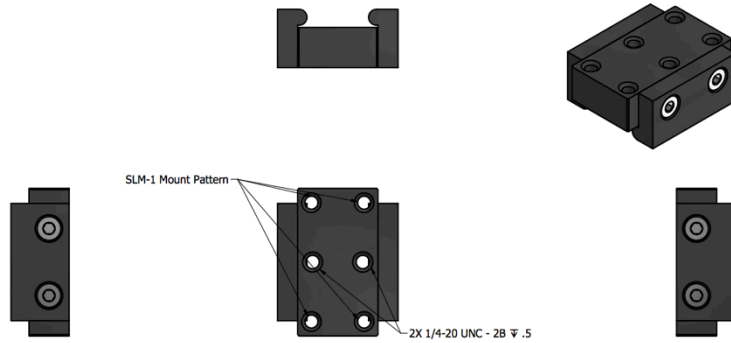
I/O Connector (Optional)
Hirose 12 Pin Male
IP68 When Mated



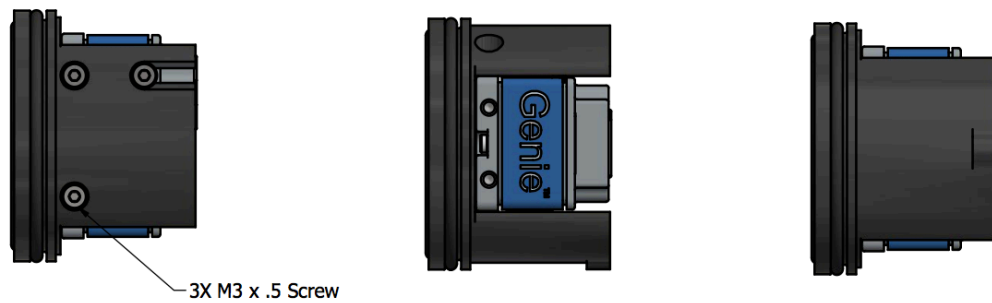
CEI IP67 Nano Series - Assembly View



2x 1/4-20 and SLM-1 Pattern Mounting Adapter

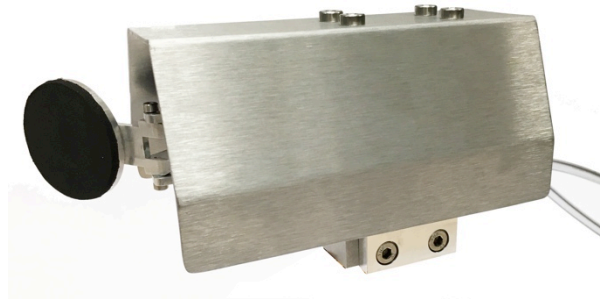


Internal Camera Mounting System

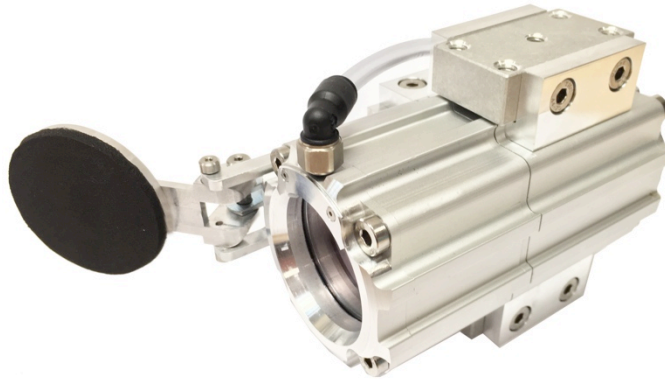


Call Components Express, Inc. at 630-257-0605 for Ordering Information.

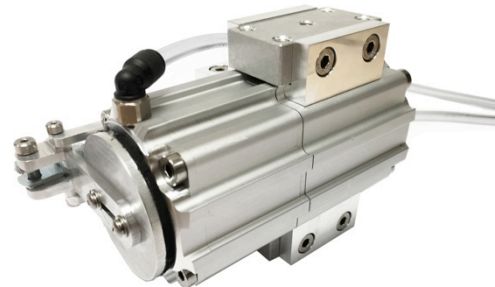
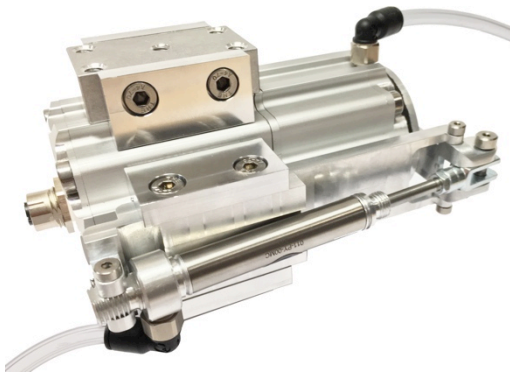
CEI IP67 Nano Series – Enclosure Options



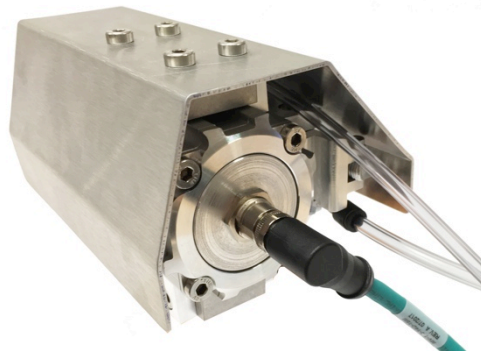
Visor / Dust Cover



Window Air-Curtain



Pneumatic Window Cover



Right Angle M12 X-Code Cables

Call Components Express, Inc. at 630-257-0605 for Ordering Information.



CEI Machine Vision Camera Enclosure IP67 29mm Series Round

As a leading innovator in the Machine Vision Industry, CEI is proud to introduce our new line of Machine Vision Camera Enclosures, Cables, and Accessories for demanding vision applications.

IP67 29mm Series Camera Round Enclosure Key Features

- CEI Integrated Connector Design (no cord grips)
- IP67 protection
- Universal design for popular 29mm camera models
- Excellent heat dissipation
- Enclosure tailored for specific Camera & Optics
- Adjustable Mount with 2 tapped holes included
- High quality (easy to replace) windows by Midwest Optical
- Lightweight low-profile design
- Type 2 anodizing
- Options: Mounts, Air Curtains, Windows & Filters, Cables
- Options: Custom Sizes, lengths, and focusing solutions.
- Options: Complete Solutions (Camera, Enclosure, Cabling)
- Competitive pricing
- Made in USA, Patent Pending



Enclosure Specs (See Appendix "A" for part numbers)

Camera Size: 29mm square mount machine vision

Optics: Supports a wide range of C-Mount optics

Window: Midwest Optical 2mm Borofloat glass – AR coated

Interface Connectors: M12 X-Code Ethernet Female

Optional Interface: M12 A-Code I/O Male

Mounting: Qty. 2, M6 or 1/4-20 UNC tapped holes with 19.05mm (3/4") hole spacing, adjustable ring mount

Sealing: IP67

Material: 6061 Aluminum

Coating: Type 2 anodized

Overall Length (L): Varies, See Appendix "A"

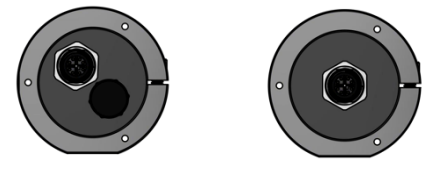
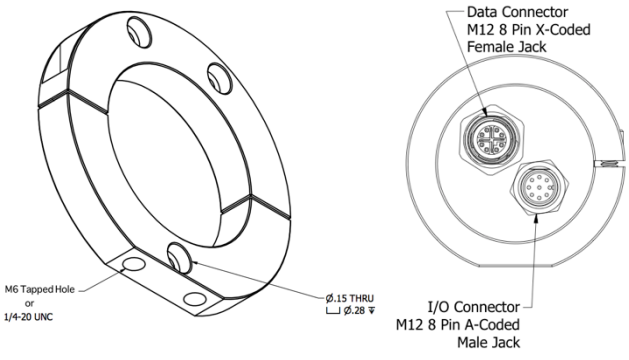
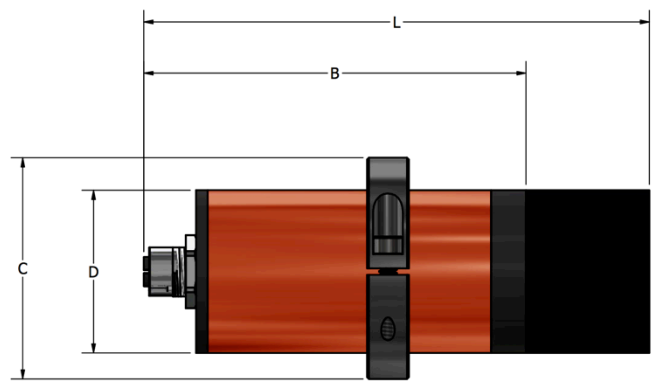
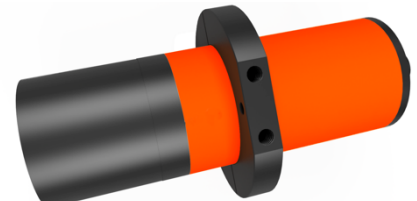
Body Length (B): 90 mm (incl. interface conn.)

Height / Width (D): 44.5 mm round (body)

Mount diameter (C): 69 mm

Window Diameter: 42 mm (48mm with 44mm cover)

Weight: 370g (typical weight fully assembled W/ Camera)



Call Components Express, Inc. at 630-257-0605 for Ordering Information.

Appendix “A” CEI IP67 29mm Series Camera Round:

CEI “Small” round 29mm IP67 Gig-E Enclosure for up to 38mm dia. C-mount lenses, standard adjustable ring mount with 2x tapped mounting holes

Part Number	Description (enclosure & mount only, lens cover required - see below)
EM-29R-38	29mm Round IP67 enclosure, 38mm max. lens dia., M6 mount holes
EN-29R-38	29mm Round IP67 enclosure, 38mm max. lens dia., ¼-20 UNC mount holes
EM-29R-44	29mm Round IP67 enclosure, 44mm max. lens dia., M6 mount holes
EN-29R-44	29mm Round IP67 enclosure, 44mm max. lens dia., ¼-20 UNC mount holes

CEI “Small” round 29mm IP67 Enclosure for up to 38mm dia. C-mount lenses with Gig-E and I/O connectors, standard adjustable ring mount with 2x tapped holes

Part Number	Description (enclosure & mount only, lens cover required see below)
EM-29RI-38	29mm Round IP67 enclosure, 38mm max. lens dia., M6 mount holes
EN-29RI-38	29mm Round IP67 enclosure, 38mm max. lens dia., ¼-20 UNC mount holes
EM-29RI-44	29mm Round IP67 enclosure, 44mm max. lens dia., M6 mount holes
EN-29RI-44	29mm Round IP67 enclosure, 44mm max. lens dia., ¼-20 UNC mount holes

Lens Covers with 2mm Borofloat AR coated glass widows for CEI EM-29R series IP67 enclosures

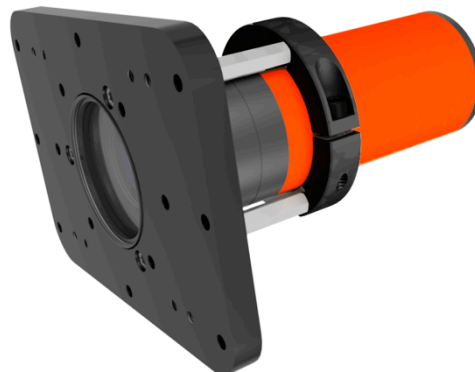
Part Number	Description (lens cover only, enclosure required - see above)
EN-LC38-30	38mm max. lens dia., 30mm length
EN-LC38-36	38mm max. lens dia., 36mm length
EN-LC38-38	38mm max. lens dia., 38mm length
EN-LC38-44	38mm max. lens dia., 44mm length
EN-LC38-48	38mm max. lens dia., 48mm length
EN-LC38-50	38mm max. lens dia., 50mm length
EN-LC38-52	38mm max. lens dia., 52mm length

EN-LC44-30	44mm max. lens dia., 30mm length
EN-LC44-36	44mm max. lens dia., 36mm length
EN-LC44-38	44mm max. lens dia., 38mm length
EN-LC44-44	44mm max. lens dia., 44mm length
EN-LC44-48	44mm max. lens dia., 48mm length
EN-LC44-50	44mm max. lens dia., 50mm length
EN-LC44-52	44mm max. lens dia., 52mm length

Assembled lens cover dimension is 6mm shorter than specified lens cover length, for example a EN-29R-30 enclosure assembly with EN-LC38-36 lens cover will be 90mm + 36mm - 6mm = 120mm long (L)

Optional Light Brackets for CEI round 29mm IP67 Enclosure

Part Number	Description
EN-LB29R-38-A	Small light bracket (120.7mm x 85.8mm) mounting surface for 38mm lens cover
EN-LB29R-38-B	Large light bracket (152.1mm x 133.4mm) mounting surface for 38mm lens cover
EN-LB29R-44-A	Small light bracket (120.7mm x 85.8mm) mounting surface for 44mm lens cover
EN-LB29R-44-B	Large light bracket (152.1mm x 133.4mm) mounting surface for 44mm lens cover





COMPONENTS EXPRESS, INC.
INDUSTRY LEADING PERFORMANCE

10330 Argonne Woods Drive, Suite 100 • Woodridge, IL 60517

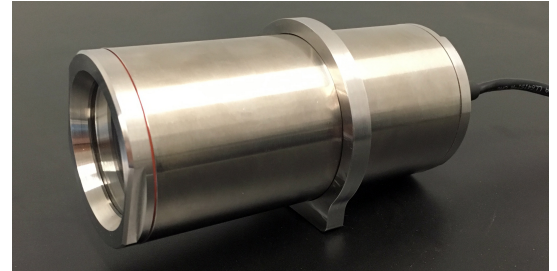
Tel 630-257-0605 / 800-578-6695 (outside Illinois) Fax 630-257-0603

CEI Machine Vision Camera Enclosure Stainless Series

As a leading innovator in the Machine Vision Industry, CEI is proud to introduce our new line of Machine Vision Camera Enclosures, Cables, and Accessories for demanding vision applications.

CEI Camera Enclosure Key Features

- CEI Integrated Connector Design (no cord grips)
- IP67 protection
- Excellent heat dissipation
- Enclosure tailored for specific Camera & Optics
- Flexible mounting options
- High quality (easy to replace) windows by MidOpt
- Round wash-down design
- All Stainless Steel construction
- Options: Mounts, Visors, Air Curtains, Windows & Filters
- Options: Cables , Custom Sizes, lengths, and focusing solutions.
- Options: Complete Solutions (Camera, Enclosure, Cabling)
- Competitive pricing
- Made in USA



Enclosure Specs (CEI Stainless Series)

Application: Food and Beverage applications

Camera: Popular Gig-E Machine Vision Cameras

Window: MIDOPT 3mm Polycarbonate – AR coated

Interface Connector: RJ45 Male IP67 CEI MV-4 profile

Mounting: 1/4 - 20 UNC tapped hole x 2

Sealing: IP67

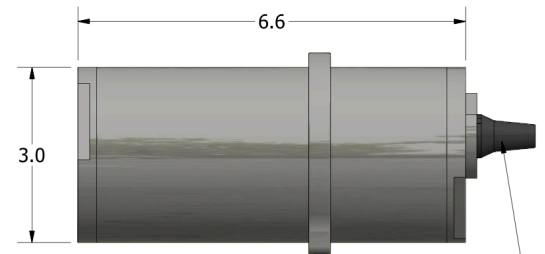
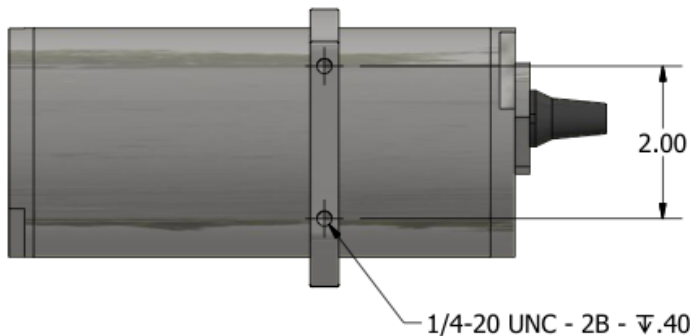
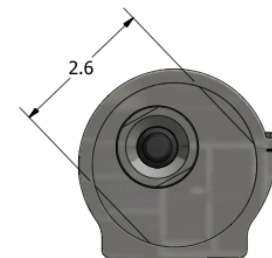
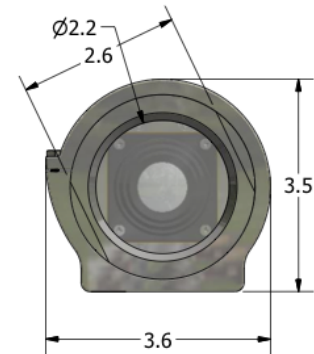
Material: Stainless Steel – 304 grade

Length: 6.6 Inches

Diameter: 3 Inches

Window Diameter: 2.2 Inches

Weight: 5.2 Lbs. (without camera & optics)



RJ45 Male IP67
CEI MV-4 Profile

Call Components Express, Inc. at 630-257-0605 for Ordering Information.

Stainless_Series- Rev A



Machine Vision Light Bracket

As a leading innovator in the Machine Vision Industry, CEI is proud to introduce our new line of Machine Vision light brackets for demanding vision applications.

Iris GTR Light Bracket Key Features

- CEI application specific design
- Focusing & optics removal without disassembly
- Easy-open dust cover protection
- Excellent heat dissipation
- Tailored for a specific range of Lights & Optics
- Single point Swivellink mounting
- High quality windows by MidOpt
- Lightweight aluminum construction
- Type 2 anodizing
- Competitive pricing
- Made in USA



Light Bracket Specs* (CEI part number E-GTR-02S)

CEI Design Variation: "U" aperture short

Camera: Matrox Iris GTR Smart Camera Series

Supported Optics: See appendix table "A"

Supported Lights: See appendix table "B"

Window: MIDOPT Acrylic AR coated (AC380-46)

Mounting: M5 tapped holes for Swivellink SLM-1

Sealing: Full Dust Cover and Window

Material: 6061 Aluminum

Coating: Type 2 anodized

Length: 50.80 mm (Light bracket only)

101.33 mm (with Camera & Light Plate)

Height: 84.84 mm (Light bracket only)

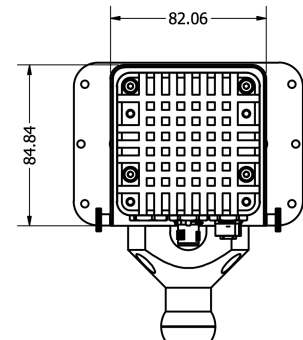
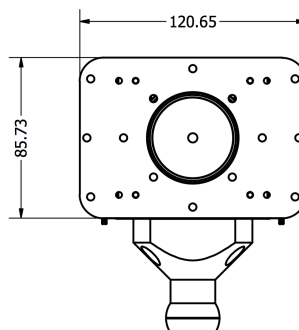
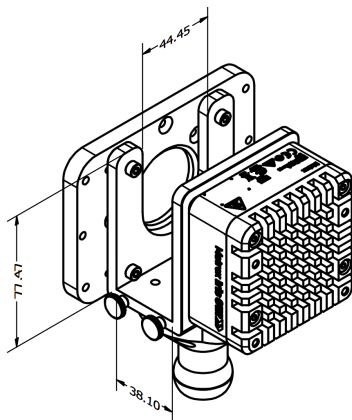
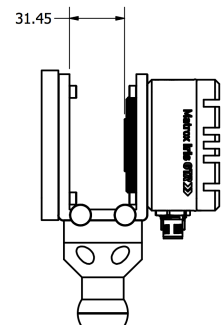
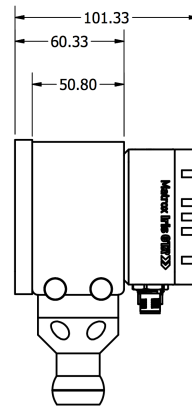
Width: 82.06 mm (Light bracket only)

Window Diameter: 46 mm

Light Plate Dimensions: 120.65 mm x 87.73 mm

Weight: 44 g (W/O Camera, Optics, Light, or Mount)

*Optics, Lights, and Mount dealer supplied



CEI part number E-GTR-02S (Short Design)

Table "A" - Supported Optics

Model	Length (mm)
Computar M2514-MP2	36
Computar M1614-MP2	28.2
Computar M1214-MP2	28.2
Computar M0814-MP2	28.2

Table "B" - Supported Lights

Model	Diameter
RC130	130mm
R80	80 mm
R130	130mm
RD80	80mm
RD130	130mm
RCC130	130mm
RM75	75 mm
RM140	140 mm

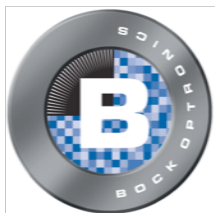
- Ask about additional CEI Machine Vision products:
- Mounts, Visors, Air Curtains, Windows, Filters, Cables
 - Custom Sizes, Lengths, and Focusing Solutions.
 - Complete Solutions (Camera, Enclosure, Cabling)



For more information please contact:

BOCK OPTRONICS INC.
14 Steinway Blvd., Unit 7
Toronto, Ontario M9W 6M6

Tel: (416) 674-2804
sales@bockoptronics.ca
www.bockoptronics.ca



Call Components Express, Inc. at 630-257-0605 for Ordering Information.

E-GTR-02S-RevB