



EoSens® 3.0MCL-FM

EoSens® Camera Link

High-Speed with Camera Link

Our EoSens® CL series delivers high frame rates at highest image quality. The Camera Link interface allows almost latency-free access to the image sensor. By reducing the resolution and using the ROIs appropriately, the High-Speed camera achieves frame rates of over 180,000 fps. Depending on the model, Camera Link is supported in Base or Extended-Full configuration.

Technical Highlights:

- Up to 90 dB dynamic range for high contrast images
- Compact size from 63 x 63 x 41 mm
- Shock and vibration resistant
- Fanless design
- Multiple ROIs in any shape
- Up to more than 180,000 fps at reduced resolution
- Fixed Pattern Noise Correction
- Very light sensitive image sensor

SPECIFICATIONS

Resolution [MP]	3 MP
Resolution (h x v)	1690 x 1710 px
Frame rate (fps)	205 fps



Frame rate (max.)	≥250 fps
Chroma	mono
Interface	Camera Link Full

SENSOR

Sensor	LUPA3000
Manufacturer	OnSemi
Sensor type	Area CMOS
Shutter type	global shutter
Sensor size (h x v)	13.52 x 13.68 mm
Optical diagonal	19.23 mm
Sensor format	1 "
Pixel size (h x v)	8 x 8 µm

FRAME RATES

1690 x 1710	285 fps
1280 x 1024	604 fps
1020 x 768	951 fps
640 x 480	2327 fps
1280 x 64	9385 fps
120 x 60	38502 fps

CAMERA

Exposure modes	EXTERNAL
Trigger modes	External TTL Signal, CC-Trigger
Exposure time (min)	1 µs
Exposure time (max)	1 sec (external ∞)
Pixel format / max	mono8 / 8 bit

FEATURE SET

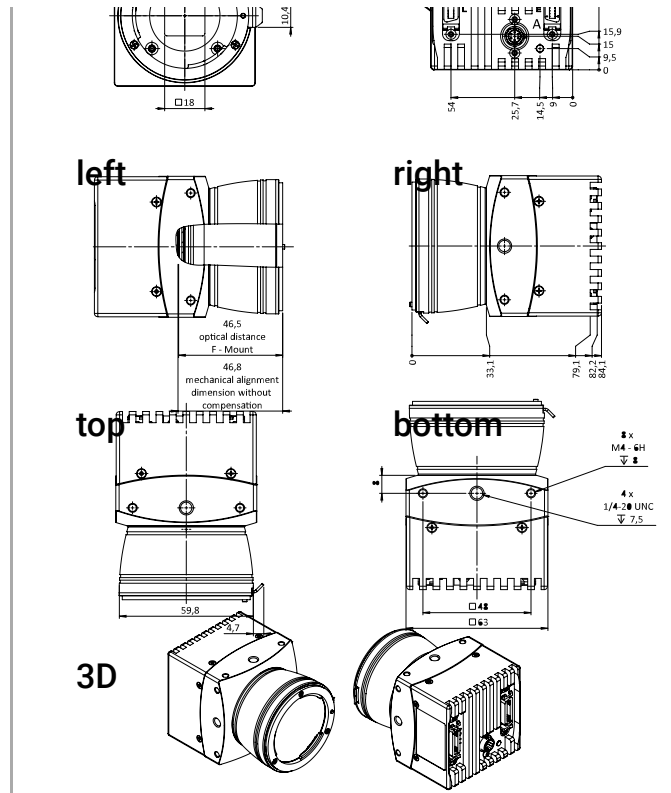
AOI	yes
Shading correction	yes
Defect pixel correction	yes

HOUSING

Lens mount	F-Mount
Dimensions (w x h x d)	63 x 63 x 84.1 mm
Weight	350 g
Ambient temperature	-10 to 45 °C
Ambient humidity	10 to 90 % (non-condensing)
Shock / Vibration proof	70 g / 7 grms
Protection class	IP30

I/O-INTERFACES

Input OPTO	1 x
Power supply	8 to 24 V (DC)
Power consumption	7 W (dep. on operating mode)



For more information please contact:



BOCK OPTONICS INC.
14 Steinway Blvd., Unit 7
Toronto, Ontario M9W 6M6

Tel: (416) 674-2804
sales@bockoptonics.ca
www.bockoptonics.ca



EoSens® 3.0MCL-CM

EoSens® Camera Link

High-Speed with Camera Link

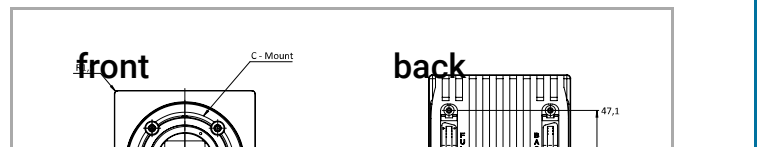
Our EoSens® CL series delivers high frame rates at highest image quality. The Camera Link interface allows almost latency-free access to the image sensor. By reducing the resolution and using the ROIs appropriately, the High-Speed camera achieves frame rates of over 180,000 fps. Depending on the model, Camera Link is supported in Base or Extended-Full configuration.

Technical Highlights:

- Up to 90 dB dynamic range for high contrast images
- Compact size from 63 x 63 x 41 mm
- Shock and vibration resistant
- Fanless design
- Multiple ROIs in any shape
- Up to more than 180,000 fps at reduced resolution
- Fixed Pattern Noise Correction
- Very light sensitive image sensor

SPECIFICATIONS

Resolution [MP]	3 MP
Resolution (h x v)	1690 x 1710 px
Frame rate (fps)	205 fps



Frame rate (max.)	285 fps
Chroma	mono
Interface	Camera Link Full

SENSOR

Sensor	LUPA3000
Manufacturer	OnSemi
Sensor type	Area CMOS
Shutter type	global shutter
Sensor size (h x v)	13.52 x 13.68 mm
Optical diagonal	19.23 mm
Sensor format	1 "
Pixel size (h x v)	8 x 8 µm

FRAME RATES

1690 x 1710	285 fps
1280 x 1024	604 fps
1020 x 768	951 fps
640 x 480	2327 fps
1280 x 64	9385 fps
120 x 60	38502 fps

CAMERA

Exposure modes	EXTERNAL
Trigger modes	External TTL Signal, CC-Trigger
Exposure time (min)	1 µs
Exposure time (max)	1 sec (external ∞)
Pixel format / max	mono8 / 8 bit

FEATURE SET

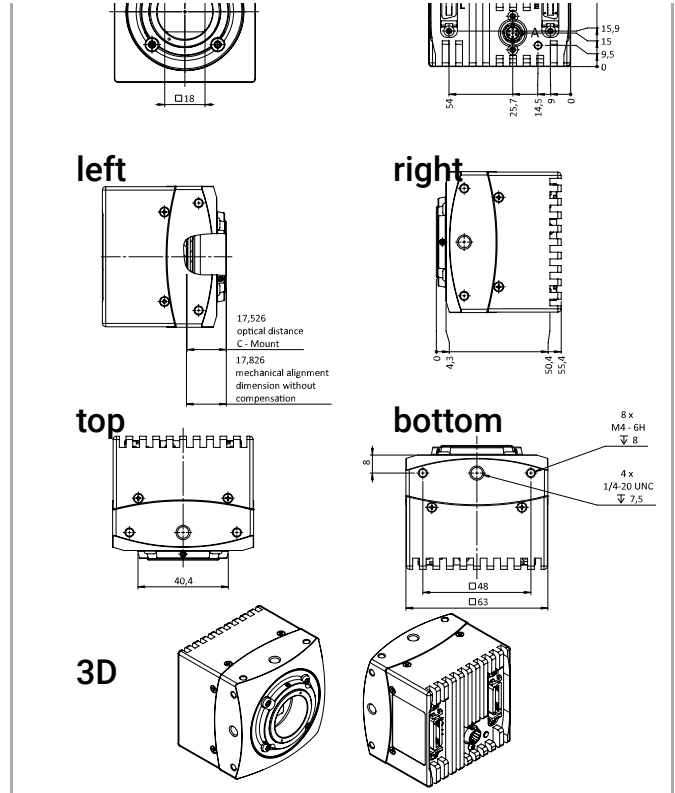
AOI	yes
Shading correction	yes
Defect pixel correction	yes

HOUSING

Lens mount	C-Mount
Dimensions (w x h x d)	63 x 63 x 55.4 mm
Weight	300 g
Ambient temperature	-10 to 45 °C
Ambient humidity	10 to 90 % (non-condensing)
Shock / Vibration proof	70 g / 7 grms
Protection class	IP30

I/O-INTERFACES

Input OPTO	1 x
Power supply	8 to 24 V (DC)
Power consumption	7 W (dep. on operating mode)



For more information please contact:



BOCK OPTONICS INC.
 14 Steinway Blvd., Unit 7
 Toronto, Ontario M9W 6M6

Tel: (416) 674-2804
sales@bockoptonics.ca
www.bockoptonics.ca



EoSens® 1.3MCL-FM

EoSens® Camera Link

High-Speed with Camera Link

Our EoSens® CL series delivers high frame rates at highest image quality. The Camera Link interface allows almost latency-free access to the image sensor. By reducing the resolution and using the ROIs appropriately, the High-Speed camera achieves frame rates of over 180,000 fps. Depending on the model, Camera Link is supported in Base or Extended-Full configuration.

Technical Highlights:

- Up to 90 dB dynamic range for high contrast images
- Compact size from 63 x 63 x 41 mm
- Shock and vibration resistant
- Fanless design
- Multiple ROIs in any shape
- Up to more than 180,000 fps at reduced resolution
- Fixed Pattern Noise Correction
- Very light sensitive image sensor

SPECIFICATIONS

Resolution [MP]	1.3 MP
Resolution (h x v)	1280 x 1024 px
Frame rate (fps)	500 fps



Frame rate (max.)	500 fps
Chroma	mono
Interface	Camera Link Full

SENSOR

Sensor	LUPA 1300-2
Manufacturer	OnSemi
Sensor type	Area CMOS
Shutter type	global shutter
Sensor size (h x v)	17.92 x 14.34 mm
Optical diagonal	22.95 mm
Sensor format	4/3 "
Pixel size (h x v)	14 x 14 µm

FRAME RATES

1280 x 1024	506 fps
640 x 480	1869 fps
400 x 300	4068 fps
1280 x 64	7638 fps
60 x 60	33390 fps

CAMERA

Exposure modes	EXTERNAL
Trigger modes	External TTL Signal, CC-Trigger
Exposure time (min)	2 µs
Exposure time (max)	1 sec (external ∞)
Pixel format / max	mono8, mono10 / 10 bit

FEATURE SET

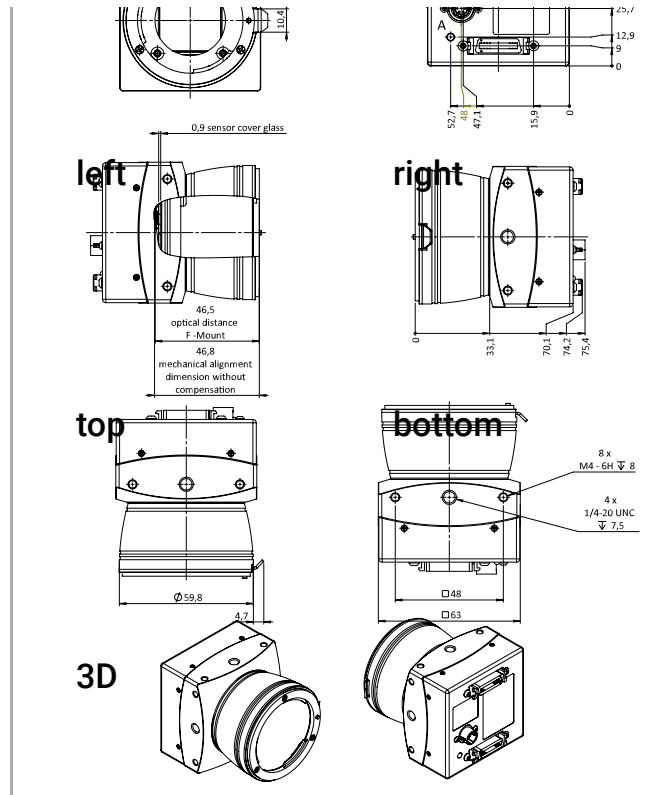
AOI	yes
Shading correction	yes
Defect pixel correction	yes

HOUSING

Lens mount	F-Mount
Dimensions (w x h x d)	63 x 63 x 75.4 mm
Weight	350 g
Ambient temperature	-10 to 45 °C
Ambient humidity	10 to 90 % (non-condensing)
Shock / Vibration proof	70 g / 7 grms
Protection class	IP30

I/O-INTERFACES

Input OPTO	1 x
Power supply	8 to 24 V (DC)
Power consumption	5 W (dep. on operating mode)



For more information please contact:



BOCK OPTRONICS INC.
14 Steinway Blvd., Unit 7
Toronto, Ontario M9W 6M6

Tel: (416) 674-2804
sales@bockoptronics.ca
www.bockoptronics.ca



EoSens® 1.3MCL-CM

EoSens® Camera Link

High-Speed with Camera Link

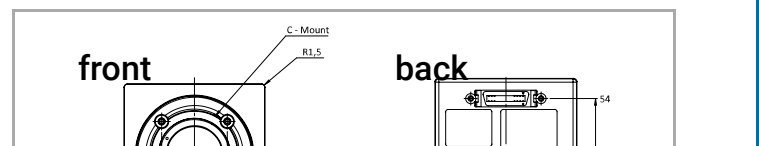
Our EoSens® CL series delivers high frame rates at highest image quality. The Camera Link interface allows almost latency-free access to the image sensor. By reducing the resolution and using the ROIs appropriately, the High-Speed camera achieves frame rates of over 180,000 fps. Depending on the model, Camera Link is supported in Base or Extended-Full configuration.

Technical Highlights:

- Up to 90 dB dynamic range for high contrast images
- Compact size from 63 x 63 x 41 mm
- Shock and vibration resistant
- Fanless design
- Multiple ROIs in any shape
- Up to more than 180,000 fps at reduced resolution
- Fixed Pattern Noise Correction
- Very light sensitive image sensor

SPECIFICATIONS

Resolution [MP]	1.3 MP
Resolution (h x v)	1280 x 1024 px
Frame rate (fps)	180,000



Frame rate (max.)	500 fps
Chroma	mono
Interface	Camera Link Full

SENSOR

Sensor	LUPA 1300-2
Manufacturer	OnSemi
Sensor type	Area CMOS
Shutter type	global shutter
Sensor size (h x v)	17.92 x 14.34 mm
Optical diagonal	22.95 mm
Sensor format	4/3 "
Pixel size (h x v)	14 x 14 µm

FRAME RATES

1280 x 1024	506 fps
640 x 480	1869 fps
400 x 300	4068 fps
1280 x 64	7638 fps
60 x 60	33390 fps

CAMERA

Exposure modes	EXTERNAL
Trigger modes	External TTL Signal, CC-Trigger
Exposure time (min)	2 µs
Exposure time (max)	1 sec (external ∞)
Pixel format / max	mono8, mono10 / 10 bit

FEATURE SET

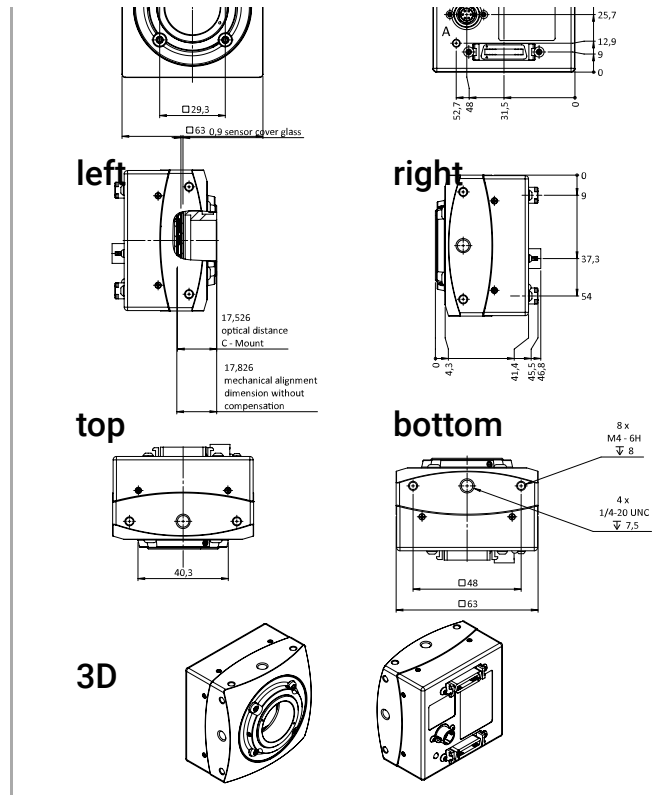
AOI	yes
Shading correction	yes
Defect pixel correction	yes

HOUSING

Lens mount	C-Mount
Dimensions (w x h x d)	63 x 63 x 46.8 mm
Weight	300 g
Ambient temperature	-10 to 45 °C
Ambient humidity	10 to 90 % (non-condensing)
Shock / Vibration proof	70 g / 7 grms
Protection class	IP30

I/O-INTERFACES

Input OPTO	1 x
Power supply	8 to 24 V (DC)
Power consumption	5 W (dep. on operating mode)



For more information please contact:



BOCK OPTRONICS INC.
14 Steinway Blvd., Unit 7
Toronto, Ontario M9W 6M6

Tel: (416) 674-2804
sales@bockoptronics.ca
www.bockoptronics.ca