



EoSens® 4.0MCX6-FM

EoSens® CoaXPress

High-speed with CoaXPress

Our EoSens® CoaXPress series delivers the highest frame rates with the highest image quality. The high light sensitivity of the sensor also ensures good image quality in difficult lighting situations. The powerful CoaXPress interface with multiple connections allows a low-latency connection to the host PC and guarantees stable transmission of highest data rates.

Technical Highlights:

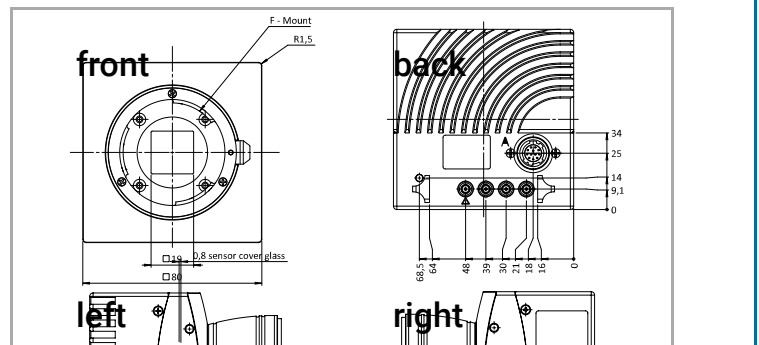
- High data rates due to CoaXPress interface
- Image sensor with high light sensitivity
- 25 GBit/s data transmission for real-time streaming
- Shock and vibration resistant
- Fanless design

SPECIFICATIONS

Resolution [MP]	4 MP
Resolution (h x v)	2336 x 1728 px
Frame rate (max.)	563 fps
Chroma	mono
Interface	CXP-6 with 4 Connections

SENSOR

Sensor	AM41
--------	------



Manufacturer	Alexima
Sensor type	Area CMOS
Shutter type	global shutter
Sensor size (h x v)	16.35 x 12.1 mm
Optical diagonal	20.34 mm
Sensor format	4/3 "
Pixel size (h x v)	7 x 7 μ m

FRAME RATES

2336 x 1920	563 fps
1920 x 1080	900 fps
1024 x 768	1264 fps
640 x 480	2020 fps
128 x 128	7492 fps

CAMERA

Exposure modes	EXTERNAL
Trigger modes	Button, External TTL Signal, CXP-Trigger
Exposure time (min)	1 μ s
Exposure time (max)	1 sec (external ∞)
Pixel format / max	mono8, mono10 / 10 bit

FEATURE SET

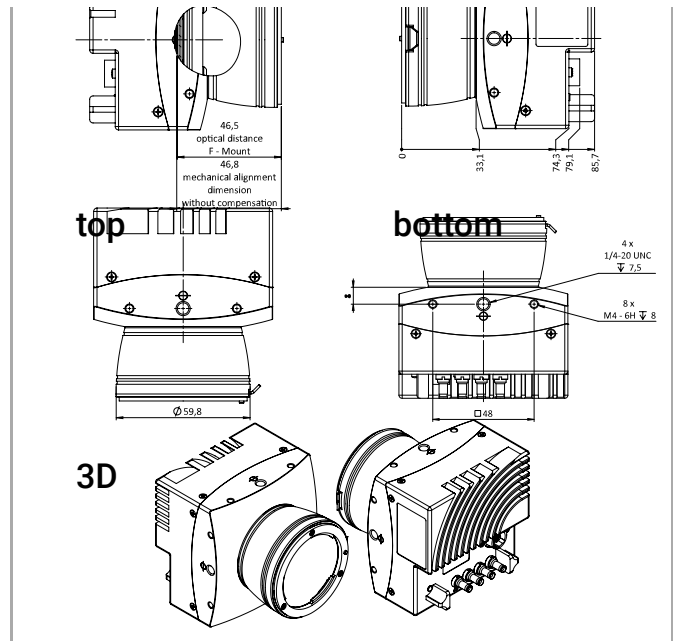
AOI	yes
Shading correction	yes
Defect pixel correction	yes

HOUSING

Lens mount	F-Mount
Dimensions (w x h x d)	80 x 80 x 85.7 mm
Weight	550 g
Ambient temperature	-10 to 45 °C
Ambient humidity	10 to 90 % (non-condensing)
Shock / Vibration proof	70 g / 7 grms
Protection class	IP30

I/O-INTERFACES

Input up to 24V	2 x
Input Galvanic	2 x
Output Galvanic	2 x
Power supply	12 to 24 V (DC)
Power consumption	10 W (dep. on operating mode)



For more information please contact:



BOCK OPTRONICS INC.
14 Steinway Blvd., Unit 7
Toronto, Ontario M9W 6M6

Tel: (416) 674-2804
sales@bockoptronics.ca
www.bockoptronics.ca



EoSens® 4.0MCX6-CM

EoSens® CoaXPress

High-speed with CoaXPress

Our EoSens® CoaXPress series delivers the highest frame rates with the highest image quality. The high light sensitivity of the sensor also ensures good image quality in difficult lighting situations. The powerful CoaXPress interface with multiple connections allows a low-latency connection to the host PC and guarantees stable transmission of highest data rates.

Technical Highlights:

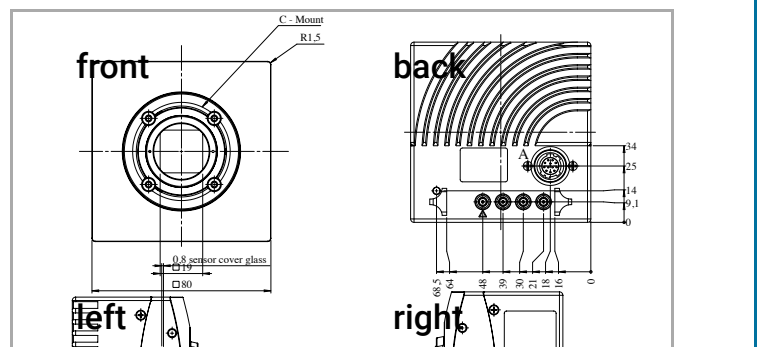
- High data rates due to CoaXPress interface
- Image sensor with high light sensitivity
- 25 GBit/s data transmission for real-time streaming
- Shock and vibration resistant
- Fanless design

SPECIFICATIONS

Resolution [MP]	4 MP
Resolution (h x v)	2336 x 1728 px
Frame rate (max.)	563 fps
Chroma	mono
Interface	CXP-6 with 4 Connections

SENSOR

Sensor	AM41
--------	------



Manufacturer	Alexima
Sensor type	Area CMOS
Shutter type	global shutter
Sensor size (h x v)	16.35 x 12.1 mm
Optical diagonal	20.34 mm
Sensor format	4/3"
Pixel size (h x v)	7 x 7 μm

FRAME RATES

2336 x 1920	563 fps
1920 x 1080	900 fps
1024 x 768	1264 fps
640 x 480	2020 fps
128 x 128	7492 fps

CAMERA

Exposure modes	EXTERNAL
Trigger modes	Button, External TTL Signal, CXP-Trigger
Exposure time (min)	1 μs
Exposure time (max)	1 sec (external ∞)
Pixel format / max	mono8, mono10 / 10 bit

FEATURE SET

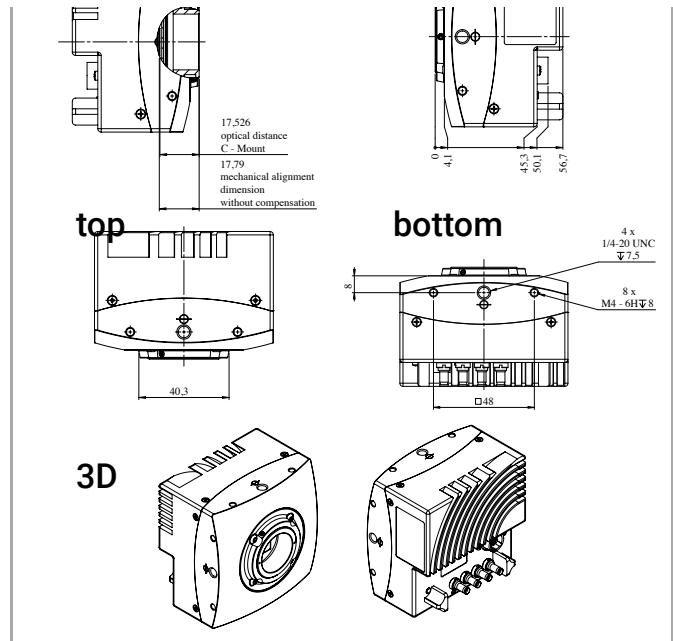
AOI	yes
Shading correction	yes
Defect pixel correction	yes

HOUSING

Lens mount	C-Mount
Dimensions (w x h x d)	80 x 80 x 60 mm
Weight	500 g
Ambient temperature	-10 to 45 °C
Ambient humidity	10 to 90 % (non-condensing)
Shock / Vibration proof	70 g / 7 grms
Protection class	IP30

I/O-INTERFACES

Input up to 24V	2 x
Input Galvanic	2 x
Output Galvanic	2 x
Power supply	12 to 24 V (DC)
Power consumption	10 W (dep. on operating mode)



For more information please contact:



BOCK OPTRONICS INC.
14 Steinway Blvd., Unit 7
Toronto, Ontario M9W 6M6

Tel: (416) 674-2804
sales@bockoptronics.ca
www.bockoptronics.ca



EoSens® 3.0MCX5-FM

EoSens® CoaXPress

High-speed with CoaXPress

Our EoSens® CoaXPress series delivers the highest frame rates with the highest image quality. The high light sensitivity of the sensor also ensures good image quality in difficult lighting situations. The powerful CoaXPress interface with multiple connections allows a low-latency connection to the host PC and guarantees stable transmission of highest data rates.

Technical Highlights:

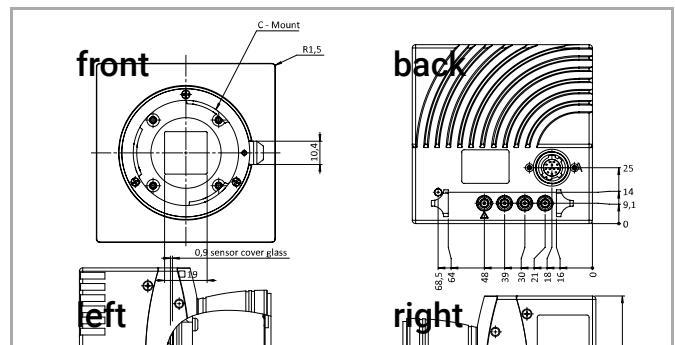
- High data rates due to CoaXPress interface
- Image sensor with high light sensitivity
- 25 GBit/s data transmission for real-time streaming
- Shock and vibration resistant
- Fanless design

SPECIFICATIONS

Resolution [MP]	3 MP
Resolution (h x v)	1696 x 1710 px
Frame rate (max.)	566 fps
Chroma	mono
Interface	CXP-6 with 4 Connections

SENSOR

Sensor	LUPA3000
--------	----------



Manufacturer	UnSemi
Sensor type	Area CMOS
Shutter type	global shutter
Sensor size (h x v)	13.57 x 13.68 mm
Optical diagonal	19.27 mm
Sensor format	1 "
Pixel size (h x v)	8 x 8 µm

FRAME RATES

1696 x 1710	566 fps
1280 x 1024	1200 fps
640 x 480	4620 fps
320 x 240	14900 fps
128 x 128	42450 fps

CAMERA

Exposure modes	EXTERNAL
Trigger modes	Button, External TTL Signal, CXP-Trigger
Exposure time (min)	1 µs
Exposure time (max)	1 sec (external ∞)
Pixel format / max	mono8, mono10 / 10 bit

FEATURE SET

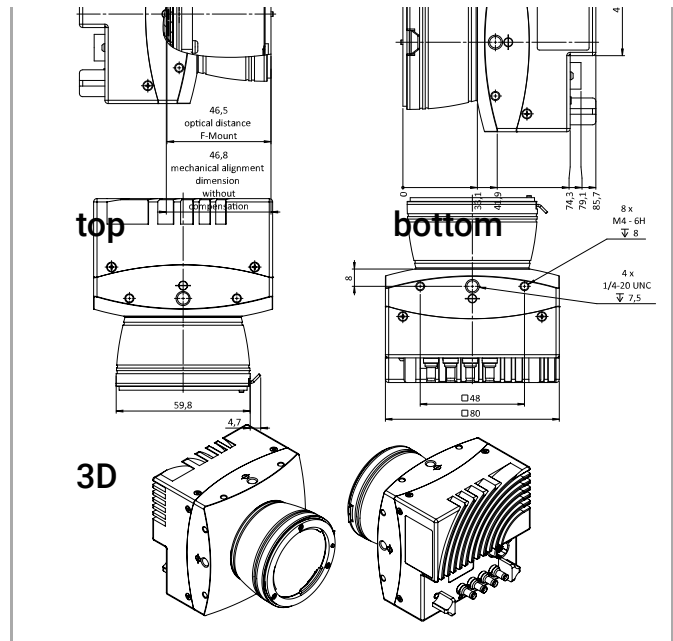
AOI	yes
Shading correction	yes
Defect pixel correction	yes

HOUSING

Lens mount	F-Mount
Dimensions (w x h x d)	80 x 80 x 85.7 mm
Weight	550 g
Ambient temperature	-10 to 45 °C
Ambient humidity	10 to 90 % (non-condensing)
Shock / Vibration proof	70 g / 7 grms
Protection class	IP30

I/O-INTERFACES

Input up to 24V	2 x
Input Galvanic	2 x
Output Galvanic	2 x
Power supply	12 to 24 V (DC)
Power consumption	7 W (dep. on operating mode)



For more information please contact:



BOCK OPTRONICS INC.
14 Steinway Blvd., Unit 7
Toronto, Ontario M9W 6M6

Tel: (416) 674-2804
sales@bockoptronics.ca
www.bockoptronics.ca



EoSens® 3.0MCX5-CM

EoSens® CoaXPress

High-speed with CoaXPress

Our EoSens® CoaXPress series delivers the highest frame rates with the highest image quality. The high light sensitivity of the sensor also ensures good image quality in difficult lighting situations. The powerful CoaXPress interface with multiple connections allows a low-latency connection to the host PC and guarantees stable transmission of highest data rates.

Technical Highlights:

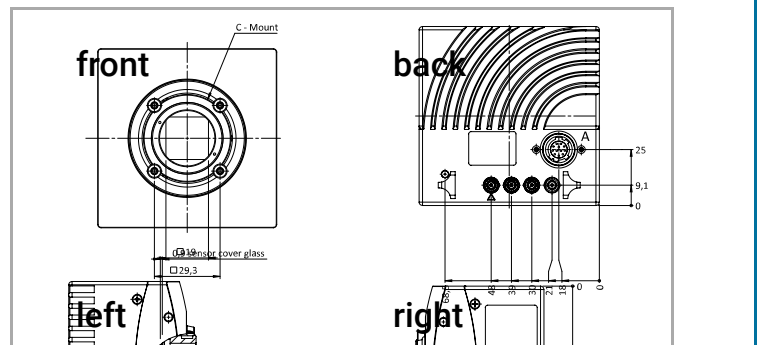
- High data rates due to CoaXPress interface
- Image sensor with high light sensitivity
- 25 GBit/s data transmission for real-time streaming
- Shock and vibration resistant
- Fanless design

SPECIFICATIONS

Resolution [MP]	3 MP
Resolution (h x v)	1696 x 1710 px
Frame rate (max.)	566 fps
Chroma	mono
Interface	CXP-6 with 4 Connections

SENSOR

Sensor	LUPA3000
--------	----------



Manufacturer	UnSemi
Sensor type	Area CMOS
Shutter type	global shutter
Sensor size (h x v)	13.57 x 13.68 mm
Optical diagonal	19.27 mm
Sensor format	1 "
Pixel size (h x v)	8 x 8 μ m

FRAME RATES

1696 x 1710	566 fps
1280 x 1024	1200 fps
640 x 480	4620 fps
320 x 240	14900 fps
128 x 128	42450 fps

CAMERA

Exposure modes	EXTERNAL
Trigger modes	Button, External TTL Signal, CXP-Trigger
Exposure time (min)	1 μ s
Exposure time (max)	1 sec (external ∞)
Pixel format / max	mono8, mono10 / 10 bit

FEATURE SET

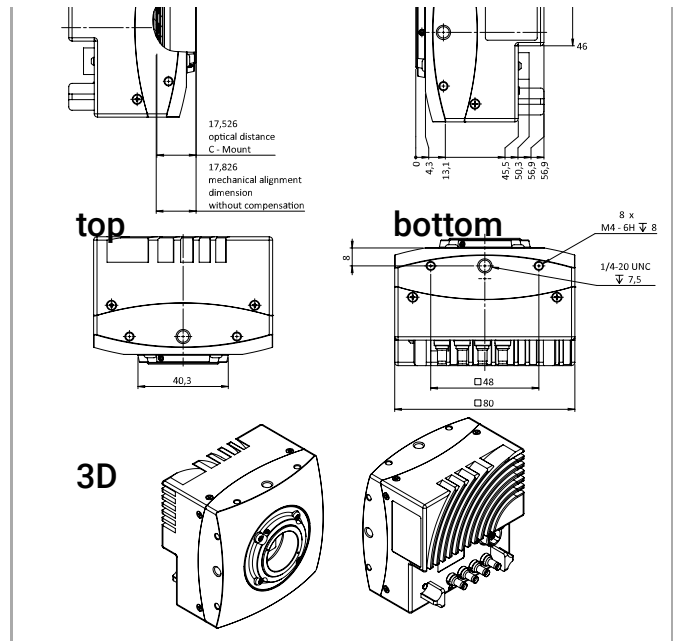
AOI	yes
Shading correction	yes
Defect pixel correction	yes

HOUSING

Lens mount	C-Mount
Dimensions (w x h x d)	80 x 80 x 56.9 mm
Weight	500 g
Ambient temperature	-10 to 45 °C
Ambient humidity	10 to 90 % (non-condensing)
Shock / Vibration proof	70 g / 7 grms
Protection class	IP30

I/O-INTERFACES

Input up to 24V	2 x
Input Galvanic	2 x
Output Galvanic	2 x
Power supply	12 to 24 V (DC)
Power consumption	7 W (dep. on operating mode)



For more information please contact:

**BOCK OPTRONICS INC.**

14 Steinway Blvd., Unit 7
Toronto, Ontario M9W 6M6

Tel: (416) 674-2804
sales@bockoptronics.ca
www.bockoptronics.ca