

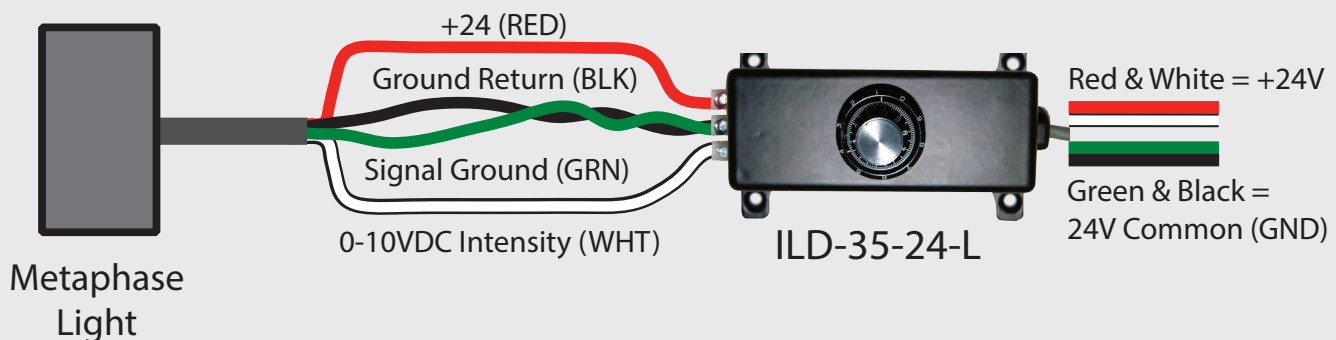
IN-LINE DIMMER

Model: ILD-35-24-L

For use with most **MetaBright** lights



1. (RED) +24
2. (BLK) Ground
3. (WHT) Single 0-10VDC Intensity Control



NOTES

-For the Metaphase lights that draw more than 3 amps, connect all the light's +24V wires (typically RED) directly to +24VDC (not to the dimmer) and Gnd wires (typically black) directly to common of the 24VDC supply. Still connect the light's 0-10VDC intensity control wire (typically white wire) and the intensity control ground (call Signal ground and typically a green wire) to the dimmer as shown.

-Dimmer itself draws less than 100ma



-L in the model number stands for ten turn precision lock-in knob



For more information please contact:

BOCK OPTRONICS INC.
14 Steinway Blvd., Unit 7
Toronto, Ontario M9W 6M6

Tel: (416) 674-2804
sales@bockoptronics.ca
www.bockoptronics.ca

Tel: 215-639-8699
info@metaphase-tech.com
www.metaphase-tech.com

MT15002