

For more information please contact:



BOCK OPTRONICS INC.

14 Steinway Blvd., Unit 7
Toronto, Ontario M9W 6M6

Tel: (416) 674-2804
sales@bockoptronics.ca
www.bockoptronics.ca



OMNI EZ HD TVI

KEZ-c2SR12

2 Megapixel 1080p HD-TVI PTZ Speed Dome
12x Optical, 10x Digital, IP66, 24VAC

Features

- Superlative HD resolution of 1080p Full HD or 720p HD for amazing image quality and useful digital zoom on live view and playback
 - Field select 1080p30/25 or 720p60/50
- Operation over 'almost any' wire
 - More than 1000 feet on standard RG59 coax
 - More than 1500 feet on RG6
 - More than 500 feet on UTP (one pair from a Cat5e cable, using optional KA-HDBAL passive balun pair).
- Full time NTSC/PAL selectable analog video output
- True day/night operation with automatic ICR module
- Excellent low light sensitivity plus Digital slow shutter (DSS) to improve low light performance *
- BLC & Electronic WDR functions handle bright and unbalanced lighting conditions
- Includes 3D and 2D DNR to improve picture clarity while enabling DVRs to improve disk storage utilization
- Optical zoom magnification of 12X (4.8~57.6mm) for horizontal field of view range from 64.2° ~ 5.9°
- Multiple focus options: continuous automatic, 'one touch' to hold the focus set after movement, and manual
- Optical 12X zoom plus 10X digital zoom in camera for total zoom ratio of 120X
- Fast 360°/sec pan speed quickly reaches any preset position
- Digital auto-flip option to continuously track motion down though the vertical and back up the other side
- Programmable presets, scan zones, patterns, tours, and 'smart' privacy masks, including combinations of functions
- Presets, tours, scans or patterns can be initiated by 4 alarm inputs or after periods of inactivity
- Easy to use OSD setup menu plus on-screen data display with flexible screen position and password protection
- Flexible programming and control Up the Cable or via RS-485 using Pelco-P or Pelco-D protocols
- SD/analog TV Out allows setup, aim and focus using a standard hand held test monitor
- Power Source 24VAC with built in power input surge protection
- Robust environmental performance, operating down to -40 degrees with IP66 weather resistance
- Available accessory wall, pole, corner, ceiling and roof/parapet mounts for flexible installation



OMNI EZ HD TVI

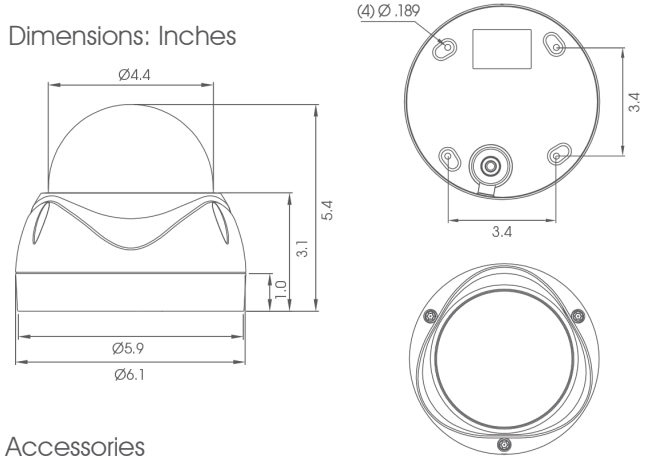
KEZ-C2SR12

2 Megapixel 1080p HD-TVI PTZ Speed Dome
12x Optical, 10x Digital, IP66, 24VAC

1080p	True Day/Night	WDR	UTC Up The Cable OSD Control	RS485	NTSC PAL
24VAC	12x Optical	10x Digital	120x Total	3D/2D DNR	BLC HLC
DSS	CVBS Out	Auto Focus	360°	Auto Flip	8 Tours
6 Patterns	210 Presets	8 Scans	Smart Privacy Zones	4 Alarm-in	1 Alarm-out
-40°F	IP66 Weather Resistant				

Pickup Device	1/2.8" 2.38 megapixel Color Progressive CMOS sensor
Pixels	1944x1224
Minimum Illumination**	DSS Off: 1.0 lux color; 0.5 lux B/W DSS Max: .002 lux color; .001 lux B/W
Digital Slow Shutter	Programmable Off or 2X~30X; max 4X recommended
S/N Ratio	Max. 50dB
Video Format Main Output	EZHD
Resolution Main Output	Field select HD1080 or HD720
Video Mode Main Output	Field select 1080p30/25; 720p60/50
Main Output Connector	BNC-F
Video Format Test Output	700TVL CVBS NTSC/PAL selectable
Analog Video Output Connector	BNC-F
Electronic Shutter	Auto/Manual selectable 1/30(25) ~ 1/50000 sec., Flickerless
Lens Focal Length & Angle of View	12x zoom: 4.8mm wide ~ 57.6mm tele (F2.2~2.3) Vertical:37.5deg(wide), 3.3deg(tele) Horizontal: 64.2deg(wide), 5.9deg(tele) Diagonal: 71.7deg(wide), 6.7deg(tele)
Digital Zoom	Up to 10X; optional activation after full 12X optical zoom; 120X total
Auto Focus	Choose manual, auto or 'one touch' (holds focus after initial setting following movement)
Pan and Tilt Range and Speed	Pan: Speed up to 360°/sec; continuous 360° rotation 180° range (+/- 90°); digital auto flip at bottom for continuous tracking Maximum preset speed 360°/second; manual speed proportional to zoom ratio
True Day/Night Control	Yes (Auto IR cut filter removal); Manual select auto, day, night or EXT
Digital Wide Dynamic Range	WDR/BLC/HLC selectable
Brightness	1~100
Auto Gain Control	Off, 2~42dB
Auto White Balance	ATW/Push/Manual/Indoor/Outdoor
DNR	2DNR/3DNR/Auto
OSD Menu	Yes (controlled Up the Cable or via RS-485; optional password protection)
OSD Data Display	Select interval and position for optional display of zoom level, camera ID, mode and/or angle
Image Flip	Digital auto flip at when camera tilts thought bottom position selectable on/off
Presets	Up to 210 positions may be stored; programmable preset speed
Auto Scan Zones	Up to 8 auto scan zones
Patterns	Up to 6 patterns may be memorized and stored
Tours	Up to 8 tours (consisting of presets, patterns and scans)
Privacy Zones	Up to 7 'smart' zones that automatically adjust relative position as the camera moves
Motion Detection	Off/On
Alarm Inputs	4 NO/NC programmable trigger inputs
Alarm Output	Form "C" relay rated at 12VDC/500mA
Alarm Actions	Go to preset, pattern, scan or tour; optional programmable duration of 3~60 seconds
Other Actions	On inactivity of 1~60 minutes, go to preset position, pattern, scan or tour
Security	Password protection for menu system
Up the Cable Protocols	Pelco-C, Hik-C (Automatic Protocol Detection) on HD-TVI port
RS-485 Protocols Supported	Pelco-P, Pelco D
RS-485 Baud Rate	2400~38,400
RS-485 Addressing	Address range 00~255
Power Supply	24VAC (+/- 10% nominal) 2.5A capacity recommended (heater on); 1.5A recommended (heater off)
Power Consumption	~1.1A heater off; ~2A heater on
Power Input Surge Protection	Built in
Dimensions	Ø6.06 x 5.43"(H) (Dome Bubble Ø 4.49) {Ø154 x 138(H)mm (Dome Bubble Ø112)}
Weight	1.5Kg/4.8 pounds
Operating Temperature	-40°C~60°C ; -40°F~140°F (heater on at 32°F +/- 9°F)
Environmental	IP66 weather resistant
Mounting Provision	Mounts to ceiling; optional wall arm, corner and pole brackets, parapet and pendant mounts
Certifications	FCC, CE

Dimensions: Inches



Accessories

- KA-WM110 Wall Mount**
 - Extends 10.5" from wall
 - Aluminum construction
 - 1/2" Conduit fitting top & bottom
 - Integral sun/drip shield
- KA-CM110 Pipe Thread Adaptor Cover**
 - 1.5" Diameter
 - Includes Cover & Flange
 - Use with Ka-WPP200, KA-PMB600, KA-CPP200
- KA-WPP200* Goose Neck Mount**
 - Includes base, pipe & back cover
 - Aluminum construction
 - 1.5" diameter steel pipe
 - Fits PTZs & fixed domes
- KA-CMA100 Corner Mount**
 - Fits WPP200 wall mount
 - Aluminum construction
 - Fits outside corners
- KA-PMA100 Pole Mount**
 - Steel Construction
 - 2-Stainless straps 10" Long
 - Min pole dia ~2"
 - Fits WPP200 Wall Mount
- KA-PMB600* Parapet Roof Mount**
 - Includes base, pipe & back cover
 - Stainless steel construction
 - 1.5" diameter | Pipe 35" H" 25
 - Fits PTZ & Fixed Domes
- KA-CPP200* Ceiling Mount Pendant**
 - Includes CM110 Housing
 - Includes base, pipe & back cover
 - 11.8" Long pendant
 - 1.5" diameter steel pipe
 - Fits PTZ and fixed domes

*Shown with KA-CM110