



Resolution 960

Ordering Information

NTSC Model

KPC-BSP6300NU

PAL Model

KPC-BSP6300PU



For more information please contact:

BOCK OPTRONICS INC.
14 Steinway Blvd., Unit 7
Toronto, Ontario M9W 6M6

Tel: (416) 674-2804
sales@bockoptronics.ca
www.bockoptronics.ca

 **KPC-BSP6300U**

Resolution 960 Series Super Low Light
750+ HTVL OSD True D/N Digital WDR
Dual Voltage Box Style Camera



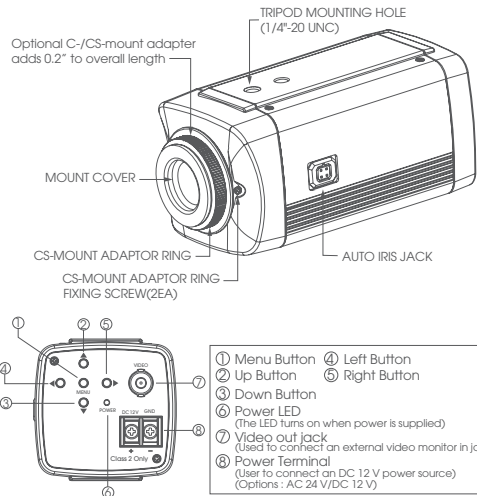
Resolution 960

KPC-BSP6300U

Resolution 960 Series Super Low Light
750+ HTVL OSD True D/N Digital WDR
Dual Voltage Box Style Camera

750 TVL	C/CS LENS	Low Light Performance	TRUE DAY&NIGHT	BLC HLC	Anti-CR
DC/Manual Lens	OSD	Digital WDR/ATR	DNR	Compact Size	DC12 DUAL POWER AC24V

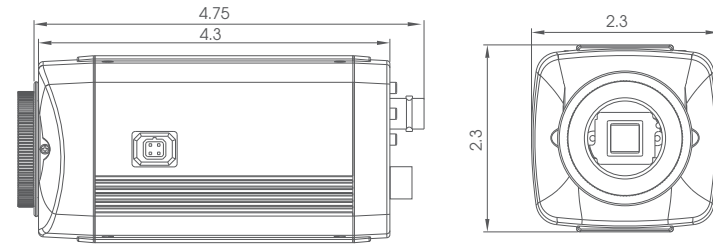
Service Video connector



Key Features

- Superlative resolution of over 750 horizontal TV lines for outstanding image quality
- Exview HAD II sensor delivers amazing light sensitivity of 0.0001 lux - 500X better native light sensitivity without DSS low light boost
- Your choice of full motion color or true day/night images in low light without ghosting
- True Day/Night with ICR module
- Simple and easy to use OSD setup menu
 - Electronic Wide Dynamic Range (ATR) for properly exposed images despite unbalanced lighting in the scene
 - Anti-Color Roll white balance option resists fluorescent light interference
 - Optional Back Light Compensation (BLC) and Highlight Compensation (HLC)
 - Adjustable 2D-Noise Reduction to increase picture clarity and improve utilization of DVR disk storage
 - Privacy image masking for 4 configurable zones
- Accepts C/CS mount manual or DC iris lenses
- Dual voltage (12V DC / 24V AC) with Anti-Crawl for stability even without line lock

General Feature Diagram (Unit: inch)



Technical Specification

Model	BSP6300NU	BSP6300PU
Imaging Device	1/3" Sony Exview HAD II 960H High Sensitivity Interline CCD	
Video Format	NTSC	PAL
Picture Elements	1020 (H) x 508 (V)	1020 (H) x 596 (V)
Effective Picture Elements	976 (H) x 494 (V)	976 (H) x 582 (V)
Horizontal Resolution	More than 750 TVL from production cameras	
Sensitivity	Color ~ 0.001 lux, B/W ~ 0.0001Lux/F=1.0 (Zero ghosting guaranteed)	
S/N Ratio	Over 50dB (AGC off)	
Video Output	BNC 1.0V p-p 75Ω	
Gamma Correction	0.45	
Lens Type	C/CS Mount (lens sold separately; megapixel lenses recommended for maximum image clarity)	
Back Light Compensation	OFF / BLC / HSBLCL Selectable	
Auto Gain Control	Low light auto, Bright light auto, Manual selectable	
Electronic Shutter	1/60 ~ 1/100,000 sec.	
White Balance	ATW / Push / User1 / User2 / Anti-Crawl / Manual	
Sync. Mode	Internal (plus Anti-Chroma Crawl White Balance option above)	
Day & Night	True D/N with motorized IR cut filter; Choose Color, B/W, Auto	
OSD Menu	Multiple functions	
OSD Languages	English, Spanish, Portuguese, German, Russian, Japanese, Chinese, French	
2D-DNR	On/Off (level adjustable)	
Adaptive Tone Curve Reproduction/ Electronic WDR (ATR)	On/Off (3 levels each adjustable for luminance and contrast)	
Mirror (Horizontal)	Off/On	
Motion Detection	Off/On for 4 selectable zones (On screen indication on alarm)	
Privacy Mask	Off/On for 4 selectable zones	
Power Source	12V DC / 24V AC	
Power Consumption	12V DC: 180mA / 24V AC: 2.9W max.	
Operating Temperature	14 °F ~ 122 °F (-10 °C ~ 50 °C)	
Storage Temperature	-4 °F ~ 140 °F (-20 °C ~ 60 °C)	
Humidity	Less than 80% non-condensing	
Dimensions	2.28" x 2.28" x 4.765" (58 mm x 58 mm x 121 mm) (includes BNC at rear)	
Weight	0.88 lbs (400 g)	
Certifications	CE / FCC	
Warranty	5 years	

KPC-DN6360NU

750TVL Box Color Camera

www.ktncusa.com

- 750TVL Horizontal Resolution
- C/CS Mount Lens
- 1/3"960H Interline CCD
- Min. Illumination of 0.0001 Lux
- True Mechanical Day & Night
- 2D DNR / BLC / ATR / AWB
- DC 12 V / AC 24 V Dual Power



Resolution
960

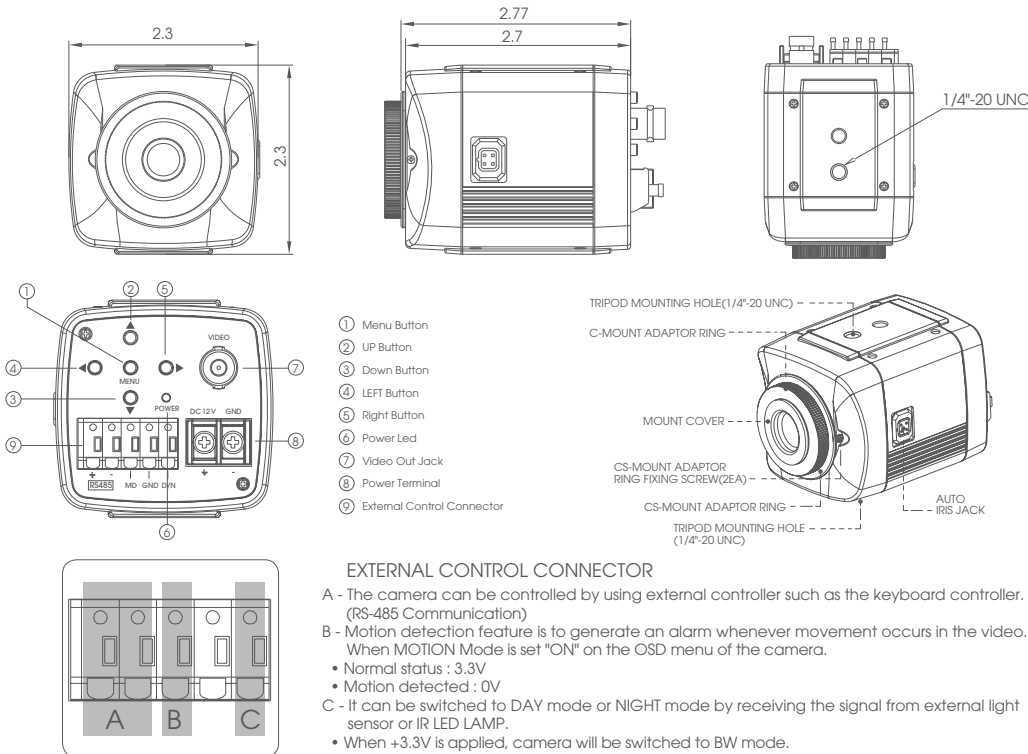
Resolution 960

- 750TVL Horizontal Resolution
- C/CS Mount Lens
- 1/3"960H Interline CCD
- Min. Illumination of 0.0001 Lux
- True Mechanical Day & Night
- 2D DNR / BLC / ATR / AWB
- DC 12 V / AC 24 V Dual Power



FC CE

General Feature Diagram Unit: (inch)



KPC-DN6360NU

750TVL Box Color Camera



Technical Specification

Signal System	NTSC	
Image Sensor	1/3" 960H Interline CCD	
Scanning System	2:1 Interlace	
Horizontal Resolution	750TV Lines	
Scanning Frequency	15.734 KHz x 59.94 Hz (H x V)	
Total Pixels	Effective Pixels	976 x 494 (H x V)
Synchronization	Internal	
Lens	C/CS Mount	
Lens Type	Manual / DC Iris Lens	
S/N	More than 50 dB (AGC Off)	
Gamma	r = 0.45	
Min. Illumination	0.05 Lux (Color) / 0.003 Lux (B/W) (30 IRE@F1.2) (IR LED Off)	
Shutter Speed	1/60 ~ 1/100,000 sec	
Day & Night	True Day & Night with ICR Mechanism	
IR LED	Distance	N/A
Day & Night Function	Auto, Color, B/W	
IP Rating	N/A	
Video Output Level	1.0 Vp-p Composite (75 Ω)	
On-Screen Display (OSD)	Built-in	
BLC	Off, BLC, HLC	
DNR	2D DNR	
ATR	On / Off (Level Adjustable)	
White Balance	ATW, Push, User1, User2, Anti CR, Manual, Push-lock	
Privacy Masking	4 Zones	
Mirror	On / Off	
Motion Detection	4 Zones	
WDR	N/A	
Digital Zoom Ratio	N/A	
Digital Slow Shutter	N/A	
Other Function	Brightness, Contrast, Sharpness, Hue, Gain	
Language Option	English, Japanese, German, French, Russian, Portuguese, Spanish, Chinese	
Operating Temperature	14 °F ~ 122 °F (-10 °C ~ 50 °C)	
Storage Temperature	-4 °F ~ 140 °F (-20 °C ~ 60 °C)	
Humidity	Less than 80% RH	
Power Supply	DC Type : DC 12 V (±10%), Max.130 mA Dual Type : DC 12 V (±10%), Max.130 mA / AC 24 V (±10%), Max. 2.9 W	
External Control	RS-485	
Dimension	Weight	2.3 x 2.3 x 2.7 inch (58 x 58 x 69 mm) 0.4 lbs (200 g)



INNOVATIVE
HIGH DEFINITION SURVEILLANCE

KPC-EW650NU

Miniature Box Color Camera

www.ktncusa.com

- 750TVL Horizontal Resolution
- C/CS Mount Lens
- Digital Day & Night
- Min. Illumination of 0.1 Lux
- BLC / ATR / AWB / AGC
- 1/3" 960H SONY Double Scan Super HAD CCD II
- DC 12 V Power

Resolution
960



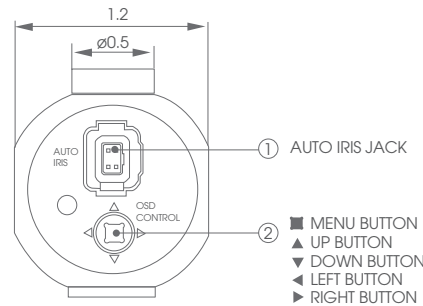
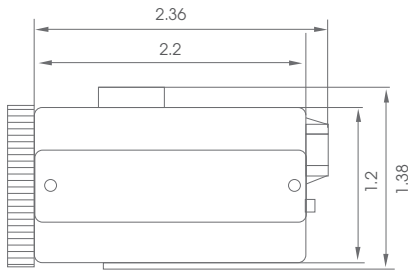
Resolution 960

- 750TVL Horizontal Resolution
- C/CS Mount Lens
- Digital Day & Night
- Min. Illumination of 0.1 Lux
- BLC / ATR / AWB / AGC
- 1/3" 960H SONY Double Scan Super HAD CCD II
- DC 12 V Power



FC CE

General Feature Diagram Unit: (inch)



High Color Reproduction

KPC-E650NU is equipped with more excellent color reproduction from wide range of ATW. (1,800K to 10,500K)



Color Chart Under Halogen Lamp



Still Object under Artificial Sunlight

2D DNR (Digital Noise Reduction)

The amount of low luminance noise is remarkably reduced and signal-to-noise ratio (S/N) as well as horizontal resolution dramatically improved, it results in a clearer and sharper image display even in the dark lighting condition.



Conventional Camera

960H 750TVL Camera

KPC-EW650NU

Miniature Box Color Camera



Technical Specification

Signal System	NTSC	
Image Sensor	1/3" 960H SONY Double Scan Super HAD CCD II	
Scanning System	2:1 Interlace	
Horizontal Resolution	750TV Lines	
Scanning Frequency	15.734 KHz x 59.94 Hz (H x V)	
Total Pixels	Effective Pixels	1020 x 508 (H x V) 976 x 494 (H x V)
Synchronization	Internal	
Lens	C/CS Mount	
Lens Type	Manual / DC / Video Iris Lens	
S/N	More than 50 dB (3DNR On)	
Gamma	r = 0.45	
Min. Illumination	0.1 Lux (30 IRE@F1.4, AGC: 30dB), 0.000001 Lux (DSS: x256)	
Shutter Speed	1/60 ~ 1/100,000 sec	
Day & Night	Digital Day & Night	
Day & Night Function	Auto, Color, B/W	
Video Output Level	1.0 Vp-p Composite (75 Ω)	
On-Screen Display (OSD)	Built-in	
BLC	On / Off (Level adjustment, Area selection)	
DNR	2D / 3D DNR	
White Balance	ATW, Push, User1, User2, Anti CR, Manual, Push-lock	
Privacy Masking	15 Zones (Area adjustment)	
Mirror	Off, H-Flip, V-Flip, HV-Flip	
Motion Detection	4 Zones (Level adjustable, Area adjustment)	
WDR	On / Off (Level Adjustable)	
Digital Zoom Ratio	3x	
Digital Slow Shutter	Off, 2~256 Field	
Other Function	Freeze, Contrast, Sharpness	
Language Option	English, Japanese, German, French, Russian, Portuguese, Spanish, Chinese, Hindi, Tamil, Turkish, Arabic, Farsi	
Operating Temperature	14 °F ~ 122 °F (-10 °C ~ 50 °C)	
Storage Temperature	-4 °F ~ 140 °F (-20 °C ~ 60 °C)	
Humidity	Less than 80% RH	
Power Supply	DC 12 V (±10%), Max. 150 mA	
Dimension	Weight	1.2 x 1.2 x 2.2 inch (30.5 x 30.5 x 55 mm) 0.25 lbs (113 g)