



For more information please contact:

BOCK OPTRONICS INC.
14 Steinway Blvd., Unit 7
Toronto, Ontario M9W 6M6

Tel: (416) 674-2804
sales@bockoptronics.ca
www.bockoptronics.ca

Analog Camera

KPC-C20NU

- 1/3.2" 1.3M SONY STARVIS CMOS
- Horizontal 850TV Lines
- CVBS(1.0Vp-p Composite 75Ω)
- Fixed lens 3.6mm (M9-Type)
- WDR, 2DNR
- Digital D&N
- Mini Square Camera

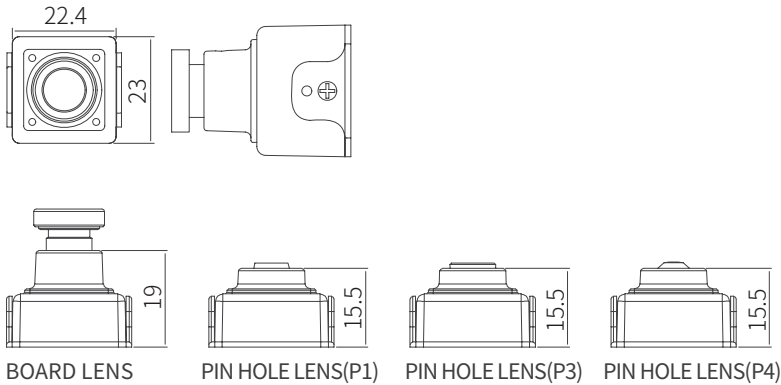


Optional

	2.97mm board lens
	3.6mm board lens
	4.3mm board lens
KPC-C20NUB	6mm board lens
	8mm board lens
	12mm board lens
	16mm board lens
KPC-C20NUP1	3.7mm conical pinhole
KPC-C20NUP3	3.7mm flat pinhole
KPC-C20NUP4	4.3mm supercone pinhole

KPC-C20NU

Dimensions



Specifications

Image Sensor	1/3.2" Exmor RS Progressive Scan SONY STARVIS CMOS	Privacy Mask	-	
Effective Pixels	1.27MP 1297(H) x 977(V)	Image Rotation	OFF, H-FLIP, V-FLIP, HV-FLIP	
Max. Video Resolution	Horizontal 850TV Lines	Defog	OFF, AUTO	
Type	Board mount lens	Sharpness	0-255	
Lens Focal Length	3.6mm, F 2.0	OSD control	-	
Angle of View	94.91 (D)x81.9 (H)x66.5 (V)	Language	-	
Min.Illumination	0.2 Lux (30IRE, F2.0, AGC MAX)	Video Output mode	CVBS(1.0Vp-p Composite 75Ω) NTSC/PAL	
Gamma	γ=0.45	General		
IR LEDs	-	IP Rating	-	
IR Range	-	Operating Temperature	-10°C~+50°C(Humidity less than 80%)	
White Balance	ATW / PUSH / USER1 / USER2 / MANUAL / PUSH LOCK	Storage Temperature	-20°C~+60°C(Humidity less than 80%)	
Dynamic Range	WDR/BLC	WDR / ATR / OFF	Dimension(mm)	22.4X23mm
	D-WDR	OFF / HLC / BLC	Weight	Approx.22.3g
	Level	138.1dB	Power Source	12VDC(±10%)
Electronic Shutter Speed	1/60(50)~1/100,000	Power Consumption	12VDC(±10%), 60mA max.	
Digital Slow Shutter(DSS)	-			
Auto Gain Control(AGC)	MIN, 6, 12, 18, 24, 30, 36, 42, 48, MAX			
Day&Night	Electronic D&N			
Noise Deduction	2D-DNR (Y/C, Y, C, OFF)			
Motion Detection	-			



INNOVATIVE
HIGH DEFINITION SURVEILLANCE

KPC-E190NU

750TVL Miniature Bullet Camera

www.ktncusa.com

- 750TVL Horizontal Resolution
- 1/3" 960H SONY EXview HAD CCD II
- Min. Illumination of 0.1 Lux
- IP67 (Water Resistant)
- Digital Day & Night
- 2D DNR / HLC / BLC / AWB / AGC
- DC 12 V Power

Resolution
960



Resolution 960

- 750TVL Horizontal Resolution
- 1/3" 960H SONY EXview HAD CCD II
- Min. Illumination of 0.1 Lux
- IP67 (Water Resistant)
- Digital Day & Night
- 2D DNR / HLC / BLC / AWB / AGC
- DC 12 V Power



KPC-E190NU

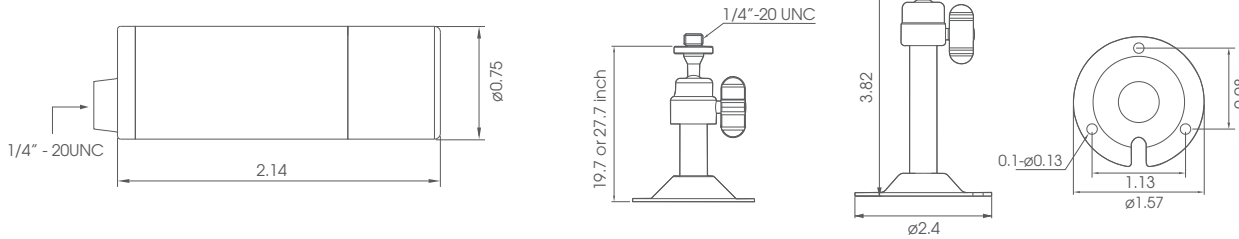
750TVL Miniature Bullet Camera



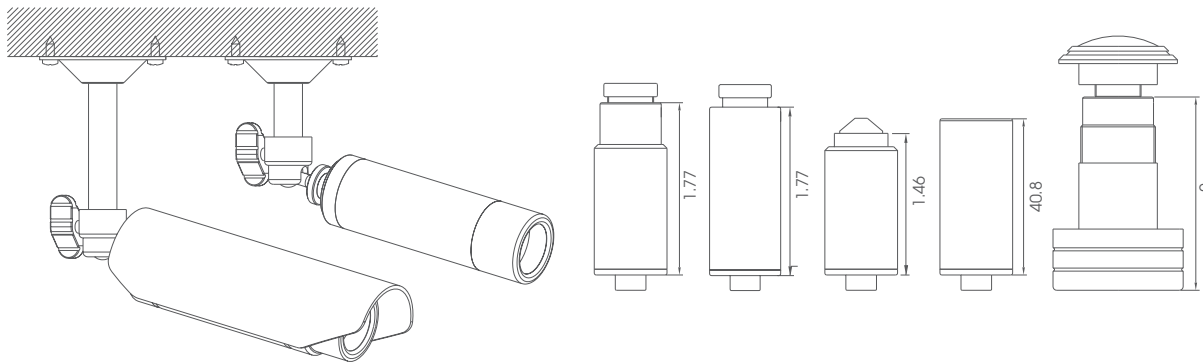
Technical Specification

Signal System	NTSC		
Image Sensor	1/3" 960H SONY EXview HAD CCD II		
Scanning System	2:1 Interlace		
Horizontal Resolution	750TV Lines		
Scanning Frequency	15.734 KHz x 59.94 Hz (H x V)		
Total Pixels	Effective Pixels	1020 x 508 (H x V)	976 x 494 (H x V)
Synchronization	Internal		
Lens	2.97 mm, 3.6 mm, 4.3 mm, 6 mm, 8 mm, 12 mm		
Lens Type	Fixed Board Lens		
S/N	More than 50 dB (AGC Off)		
Gamma	r = 0.45		
Min. Illumination	0.1 Lux		
Shutter Speed	1/60 ~ 1/100,000 sec		
Day & Night	Digital Day & Night		
Day & Night Function	Auto		
IP Rating	IP67 (Water Resistant) - E190NUWX Only		
Video Output Level	1.0 Vp-p Composite (75 Ω)		
DNR	2D DNR		
Operating Temperature	14 °F ~ 122 °F (-10 °C ~ 50°C)		
Storage Temperature	-4 °F ~ 140 °F (-20 °C ~ 60 °C)		
Humidity	Less than 80% RH		
Power Supply	DC 12 V (±10%), Max. 70 mA		
Dimension	Ø0.75 x 2.14 inch (Ø19 x 54.4 mm)		
Weight	0.15 lbs (68 g)		

General Feature Diagram Unit: (inch)



Mounting Position

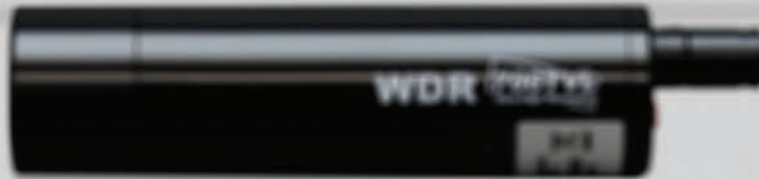


TYPE	Board Lens					Pinhole Lens			
	P1	P3	P4						
Focal Length	1.78	2.97	3.6	6	8	12	3.7	3.7	4.3
Aperture	F3.0	F2.0	F2.0	F2.0	F2.0	F2.2	F2.0	F2.0	F2.0
Angle of View	170°	130°	92°	53°	40°	28°	90°	90°	78°

Lens (mm)



INNOVATIVE
HIGH DEFINITION SURVEILLANCE



KPC-EW230NUWX

750TVL WDR Miniature Bullet Camera

www.ktncusa.com

- 750TVL Horizontal Resolution
- Min. Illumination of 0.1 Lux (30 IRE)
- IP67 (Water Resistant)
- Digital Day & Night
- 3D DNR / BLC / AWB / AGC / WDR / DSS
- DC 12 V Power
- 1/3" 960H SONY Double Scan Super HAD CCD II

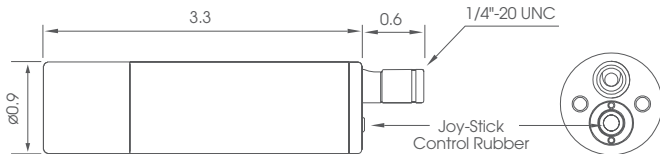
Resolution
960



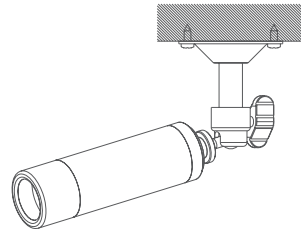
Resolution 960

- 750TVL Horizontal Resolution
- Min. Illumination of 0.1 Lux (30 IRE)
- IP67 (Water Resistant)
- Digital Day & Night
- 3D DNR / BLC / AWB / AGC / WDR / DSS
- DC 12 V Power
- 1/3" 960H SONY Double Scan Super HAD CCD II

General Feature Diagram Unit: (inch)

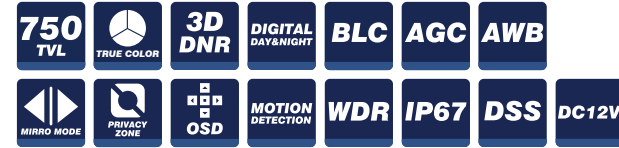


MOUNTING POSITION



KPC-EW230NUWX

750TVL WDR Miniature Bullet Camera



Technical Specification

Signal System	NTSC	
Image Sensor	1/3" 960H SONY Double Scan Super HAD CCD II	
Scanning System	2:1 Interlace	
Horizontal Resolution	750TV Lines	
Scanning Frequency	15.734 KHz x 59.94 Hz (H x V)	
Total Pixels	1028 x 508 (H x V)	976 x 494 (H x V)
Synchronization	Internal	
Lens	2.97, 3.6 mm, 6 mm, 8 mm, 12 mm	
Lens Type	Fixed Board Lens	
S/N	More than 50dB (AGC Off, 3DNR On)	
Gamma	r = 0.45	
Min. Illumination	0.1 Lux (30 IRE@F2.0, AGC: 36 dB), 0.000001 Lux (DSS: x256)	
Shutter Speed	1/60 ~ 1/100,000 sec	
Day & Night	Digital Day & Night	
Day & Night Function	Auto, Color, B/W	
IP Rating	IP67 (Water Resistant)	
Video Output Level	1.0 Vp-p Composite (75 Ω)	
On-Screen Display (OSD)	Built-in with Joystick	
BLC	Off, BLC, HLC	
DNR	3D DNR	
White Balance	ATW, Push, Push-lock, Manual (R Gain, B Gain)	
Privacy Masking	15 Zones (Area adjustment)	
Mirror	Image reverse (Normal / Flip)	
Motion Detection	4 Zones (Level adjustable, Area adjustment)	
WDR	On / Off (Level adjustable)	
Digital Zoom Ratio	3x	
Digital Slow Shutter	Off, 2 ~ 256 Field	
Other Function	Brightness, Contrast, Sharpness, Hue, Gain	
Language Option	English, Japanese, German, French, Russian, Portuguese, Spanish, Chinese	
Operating Temperature	14 °F ~ 122 °F (-10 °C ~ 50 °C)	
Storage Temperature	-4 °F ~ 140 °F (-20 °C ~ 60 °C)	
Humidity	Less than 80% RH	
Power Supply	DC 12 V (±10%), Max. 140 mA	
Dimension	Weight	0.15 lbs (68 g)

High Color Reproduction

KPC-E650NU is equipped with more excellent color reproduction from wide range of ATW. (1,800K to 10,500K)



Color Chart Under Halogen Lamp



Still Object under Artificial Sunlight

TYPE	Focal Length	Angle of View
Board Lens (M12)	2.45 mm	145 °
	2.97 mm	130 °
	3.6 mm	94.9 °
	6.0 mm	53 °
	8.0 mm	40 °
	12 mm	28 °
	16 mm	19 °
	25 mm	13.8 °
	50 mm	9.2 °
	Pinhole Lens (P3/M12)	3.7 mm
Pinhole Lens (P4/M12)	4.3 mm	70 °

Lens (mm)

Resolution 960

KPC-EJ230NUWX 750TVL Miniature Bullet Camera

www.ktncusa.com

- 750TVL Horizontal Resolution
- 1/3"960H SONY EXview HAD CCD II
- Min. Illumination of 0.1 Lux
- IP67 (Water Resistant)
- Digital Day & Night
- 2D DNR / BLC / AWB / AGC / ATR
- DC 12 V Power



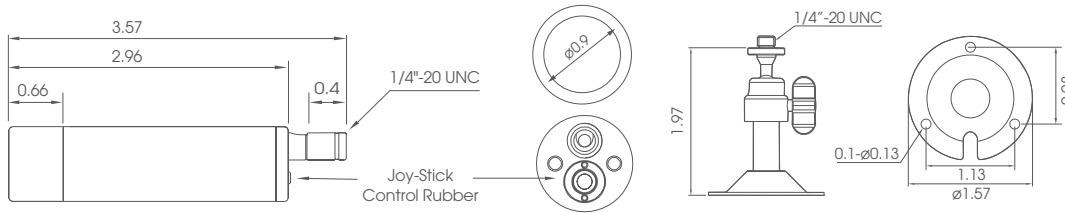
Resolution 960

- 750TVL Horizontal Resolution
- 1/3" 960H SONY EXview HAD CCD II
- Min. Illumination of 0.1 Lux
- IP67 (Water Resistant)
- Digital Day & Night
- 2D DNR / BLC / AWB / AGC / ATR
- DC 12 V Power

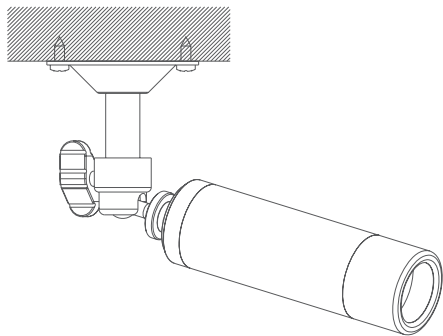


FC CE

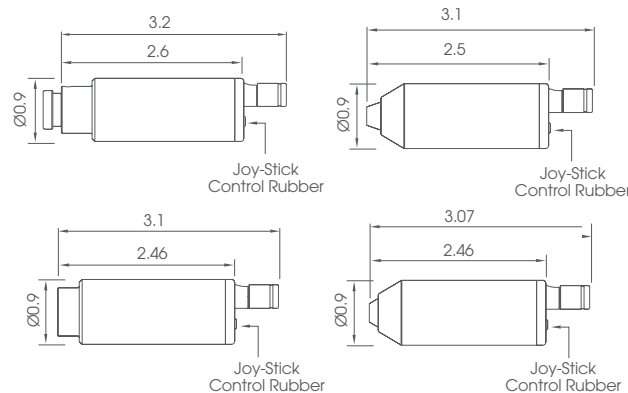
General Feature Diagram Unit: (inch)



MOUNTING POSITION



Board Lens Options



KPC-EJ230NUWX

750TVL Miniature Bullet Camera



Technical Specification

Signal System	NTSC		
Image Sensor	1/3" 960H SONY EXview HAD CCD II		
Scanning System	2:1 Interlace		
Horizontal Resolution	750TV Lines		
Scanning Frequency	15.734 KHz x 59.94 Hz (H x V)		
Total Pixels	Effective Pixels	1020 x 508 (H x V)	976 x 494 (H x V)
Synchronization	Internal		
Lens	2.97 mm, 3.6 mm, 4.3 mm, 6 mm, 8 mm, 12 mm		
Lens Type	Fixed Board Lens		
S/N	More than 50dB (AGC Off)		
Gamma	r = 0.45		
Min. Illumination	0.1 Lux		
Shutter Speed	1/60 ~ 1/100,000 sec		
Day & Night	Digital Day & Night		
Day & Night Function	Auto, Color, B/W		
IP Rating	IP67 (Water Resistant)		
Video Output Level	1.0 Vp-p Composite (75 Ω)		
On-Screen Display (OSD)	Built-in with Joystick		
BLC	Off, BLC, HLC		
DNR	2D DNR		
ATR	On / Off (Level Adjustable)		
White Balance	ATW, Push, User1, User2, Anti CR, Manual, Push-lock		
Privacy Masking	4 Zones		
Mirror	On / Off		
Motion Detection	4 Zones		
Other Function	Brightness, Contrast, Sharpness, Hue, Gain		
Language Option	English, Japanese, German, French, Russian, Portuguese, Spanish		
Operating Temperature	14 °F ~ 122 °F (-10 °C ~ 50 °C)		
Storage Temperature	-4 °F ~ 140 °F (-20 °C ~ 60 °C)		
Humidity	Less than 80% RH		
Power Supply	DC 12 V (±10%), Max. 83 mA		
Dimension	Weight	Ø0.9 x 2.96 inch (Ø23 x 75.2 mm) 0.15 lbs (68 g)	

TYPE	Board Lens				
Focal Length	2.97	3.6	6	8	12
Aperture	F2.0	F2.0	F2.0	F2.0	F2.2
Angle of View	130 °	92 °	53 °	40 °	28 °

Lens (mm)



KPC-E23NU

750TVL Miniature Square Camera

www.ktncusa.com

- 750TVL Horizontal Resolution
- 1/3"960H EXview HAD CCD II
- Min. Illumination of 0.15 Lux
- Digital Day & Night
- 2D DNR / HLC / BLC / AWB / AGC
- Mirror / OSD / Multi Language
- DC 12 V Power



Resolution
960

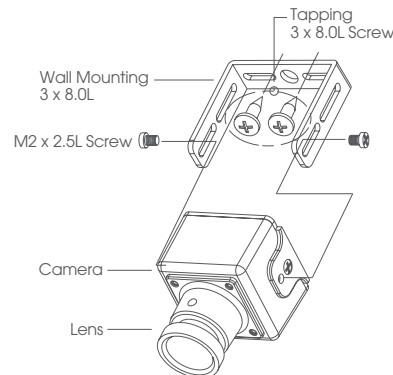
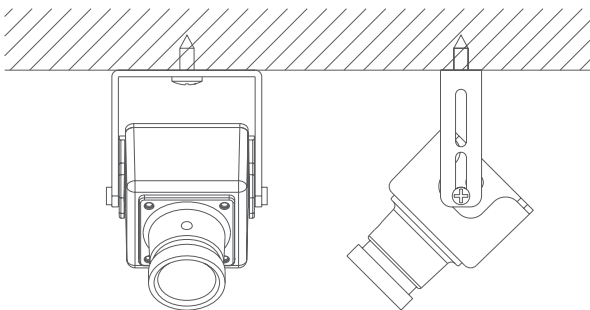
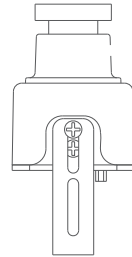
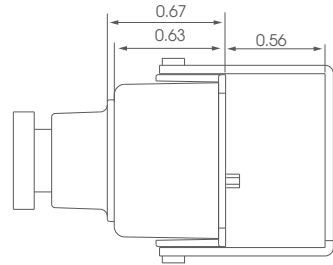
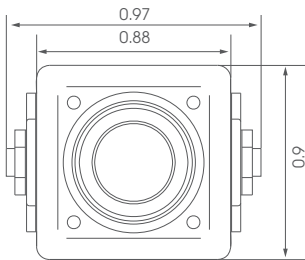
Resolution 960

- 750TVL Horizontal Resolution
- 1/3" 960H EXview HAD CCD II
- Min. Illumination of 0.15 Lux
- Digital Day & Night
- 2D DNR / HLC / BLC / AWB / AGC
- Mirror / OSD / Multi Language
- DC 12 V Power



FC CE

General Feature Diagram Unit: (inch)



KPC-E23NU

750TVL Miniature Square Camera



Technical Specification

Signal System	NTSC		
Image Sensor	1/3" 960H SONY EXview HAD CCD II		
Scanning System	2:1 Interlace		
Horizontal Resolution	750TV Lines		
Scanning Frequency	15.734 KHz x 59.94 Hz (H x V)		
Total Pixels	Effective Pixels	1020 x 508 (H x V)	976 x 494 (H x V)
Synchronization	Internal		
Lens	2.97 mm, 3.6 mm, 4.3 mm, 6 mm, 8 mm, 16 mm		
Lens Type	Fixed Board Lens		
S/N	More than 50 dB (AGC Off)		
Gamma	r = 0.45		
Min. Illumination	0.15 Lux		
Shutter Speed	1/60 ~ 1/100,000 sec		
Day & Night	Digital Day & Night		
Day & Night Function	Auto, Color, B/W		
Video Output Level	1.0 Vp-p Composite (75 Ω)		
On-Screen Display (OSD)	Built-in with Joystick		
BLC	Off, BLC, HLC		
DNR	2D DNR		
ATR	On / Off (Level Adjustable)		
White Balance	ATW, Push, User1, User2, Anti CR, Manual, Push-lock		
Privacy Masking	4 Zones		
Mirror	On / Off		
Motion Detection	4 Zones		
Other Function	Brightness, Contrast, Sharpness, Hue, Gain		
Language Option	English, Japanese, German, French, Russian, Portuguese, Spanish, Chinese		
Operating Temperature	14 °F ~ 122 °F (-10 °C ~ 50 °C)		
Storage Temperature	-4 °F ~ 140 °F (-20 °C ~ 60 °C)		
Humidity	Less than 80% RH		
Power Supply	DC 12V (±10%), Max. 70 mA		
Dimension	0.88 x 0.9 inch (22.4 x 23 mm)		
Weight	0.17 lbs (76 g)		



KPC-E700NU

750TVL Miniature Square Camera

www.ktncusa.com

- 750TVL Horizontal Resolution
- 1/3"960H SONY EXview HAD CCD II
- Min. Illumination of 0.1 Lux
- Size: 1.2 x 1.2 inch (30 x 30 mm)
- Digital Day & Night
- 2D DNR / BLC / AWB / AGC / ATR
- DC 12 V Power

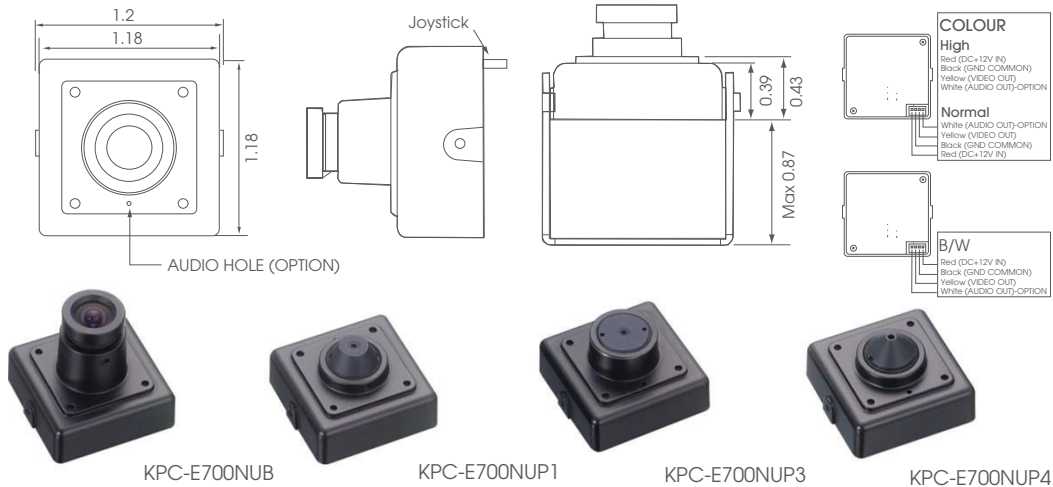
Resolution
960

Resolution 960

- 750TVL Horizontal Resolution
- 1/3" 960H SONY EXview HAD CCD II
- Min. Illumination of 0.1 Lux
- Size: 1.2 x 1.2 inch (30 x 30 mm)
- Digital Day & Night
- 2D DNR / BLC / AWB / AGC / ATR
- DC 12 V Power



General Feature Diagram Unit: (inch)



TYPE	Board Lens							Pinhole Lens			Varifocal (DC or DN)	C/CS Mount
	2.45	2.95	3.6	6	8	12	16	P1	P3	P4		
Focal Length	2.45	2.95	3.6	6	8	12	16	3.7	3.7	4.3	4.0 ~ 8.0	C/CS Mount
Aperture	F2.0	F2.0	F2.0	F2.0	F2.0	F2.2	F2.5	F2.0	F2.0	F2.0	F2.0 ~ 2.8	
Angle of View	150°	130°	92°	53°	40°	28°	19°	90°	90°	78°	89.2° ~ 44.2°	

Lens (mm)

KPC-E700NU

750TVL Miniature Square Camera



Technical Specification

Signal System	NTSC		
Image Sensor	1/3" 960H SONY EXview HAD CCD II		
Scanning System	2:1 Interlace		
Horizontal Resolution	750TV Lines		
Scanning Frequency	15.734 KHz x 59.94 Hz (H x V)		
Total Pixels	Effective Pixels	1020 x 508 (H x V)	976 x 494 (H x V)
Synchronization	Internal		
Lens	3.6 mm, 4.3 mm, 6 mm, 8 mm, 12 mm, 16 mm		
Lens Type	Fixed Board Lens		
S/N	More than 50dB (AGC Off)		
Gamma	r = 0.45		
Min. Illumination	0.1 Lux		
Shutter Speed	1/60 ~ 1/100,000 sec		
Day & Night	Digital Day & Night (Optional)		
Day & Night Function	Auto, Color, B/W		
Video Output Level	1.0 Vp-p Composite (75 Ω)		
On-Screen Display (OSD)	Built-in with Joystick		
BLC	Off, BLC, HLC		
DNR	2D DNR		
ATR	On / Off (Level Adjustable)		
White Balance	ATW, Push, User1, User2, Anti CR, Manual, Push-lock		
Privacy Masking	4 Zones		
Mirror	On / Off		
Motion Detection	4 Zones		
Other Function	Brightness, Contrast, Sharpness, Hue, Gain		
Language Option	English, Japanese, German, French, Russian, Portuguese, Spanish, Chinese		
Operating Temperature	14 °F ~ 122 °F (-10 °C ~ 50 °C)		
Storage Temperature	-4 °F ~ 140 °F (-20 °C ~ 60 °C)		
Humidity	Less than 80% RH		
Power Supply	DC 12 V (±10%), Max. 70 mA		
Dimension	1.2 x 1.2 inch (30 x 30 mm)		
Weight	0.2 lbs (81 g)		



KPC-EW38NU

750TVL Miniature Square Camera

www.ktncusa.com

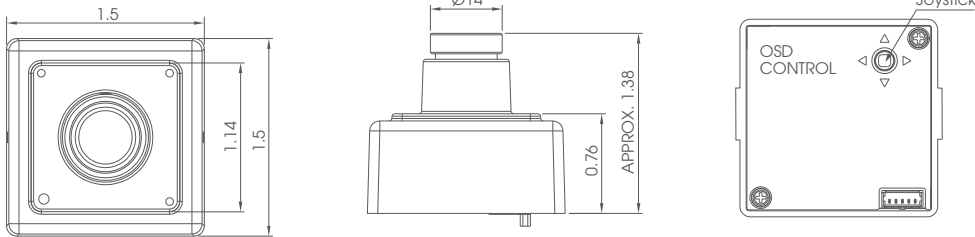
- 750TVL Horizontal Resolution
- Fixed Board or Pinhole Lens
- Min. Illumination of 0.1 Lux (30 IRE)
- Digital Day & Night
- 3D DNR / BLC / HLC / AWB / AGC / DSS
- 1/3" 960H SONY Double Scan Super HAD CCD II
- DC 12 V Power

Resolution
960

Resolution 960

- 750TVL Horizontal Resolution
- Fixed Board or Pinhole Lens
- Min. Illumination of 0.1 Lux (30 IRE)
- Digital Day & Night
- 3D DNR / BLC / HLC / AWB / AGC / DSS
- 1/3" 960H SONY Double Scan Super HAD CCD II
- DC 12 V Power

General Feature Diagram Unit: (inch)



KPC-EW38NU

750TVL Miniature Square Camera



Technical Specification

Signal System	NTSC		
Image Sensor	1/3" 960H SONY Double Scan Super HAD CCD II		
Scanning System	2:1 Interlace		
Horizontal Resolution	750TV Lines		
Scanning Frequency	15.734 KHz x 59.94Hz (H x V)		
Total Pixels	1028 x 508 (H x V)	976 x 494 (H x V)	
Synchronization	Internal		
Lens	Board	3.6 mm, 4.3 mm, 6 mm, 8 mm	
	Pinhole	3.7mm (P1), 3.7mm (P3), 3.7mm (P4), 4.3mm (P4)	
Lens Type	Fixed Board or Pinhole Lens		
S/N	More than 50 dB (AGC Off)		
Gamma	r = 0.45		
Min. Illumination	0.1 Lux (30 IRE@F2.0, AGC: 36dB), 0.000001 Lux (DSS: x256)		
Shutter Speed	1/60 ~ 1/100,000 sec		
Day & Night	Digital Day & Night		
Day & Night Function	Auto, Color, B/W		
Video Output Level	1.0 Vp-p Composite (75 Ω)		
On-Screen Display (OSD)	Built-in with Joystick		
BLC	On / Off (Level adjustment, Area selection)		
DNR	3D DNR		
White Balance	ATW, Push, User1, User2, Anti CR, Manual, Push-lock		
Privacy Masking	15 Zones (Area adjustment)		
Mirror	Image reverse (Normal / Flip)		
Motion Detection	4 Zones (Level adjustable, Area adjustment)		
WDR	On / Off (Level adjustable)		
Digital Zoom Ratio	3x		
Digital Slow Shutter	Off, 2 ~ 256 Field		
Other Function	Brightness, Contrast, Sharpness, Hue, Gain		
Language Option	English, Japanese, German, French, Russian, Portuguese, Spanish, Chinese		
Operating Temperature	14 °F ~ 122 °F (-10 °C ~ 50 °C)		
Storage Temperature	-4 °F ~ 140 °F (-20 °C ~ 60 °C)		
Humidity	Less than 80% RH		
Power Supply	DC 12 V (±10%), Max. 140 mA		
External Control	RS-485		
Dimension	1.5 x 1.5 inch (38 x 38 mm)		
Weight	0.2 lbs (80 g)		

High Color Reproduction

KPC-EW38NU is equipped with more excellent color reproduction from wide range of ATW. (1,800K to 10,500K)



Color Chart Under Halogen Lamp



Still Object under Artificial Sunlight

2D DNR (Digital Noise Reduction)

The amount of low luminance noise is remarkably reduced and signal-to-noise ratio (S/N) as well as horizontal resolution dramatically improved, it results in a clearer and sharper image display even in the dark lighting condition.



Conventional Camera

960H 750TVL Camera



Resolution 960

 KPC-A700N

750 TVL Miniature Square Camera

Resolution 960

KPC-A700N

750 TVL Miniature Square Camera

Features

- 750 TVL Horizontal Resolution
- 1/3" 960H SONY SuperHAD CCD II
- Min. Illumination of 0.1 Lux, 0.01 Lux DSS On
- Size 1.2 x 1.2 Inch (30 x 30mm)
- Digital Day & Night
- ATR: Wide Dynamic Range
- 2D DNR / BLC / AWB / AGC
- DC 12 V Power



KPC-A700NB



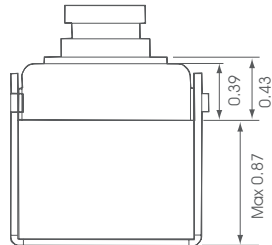
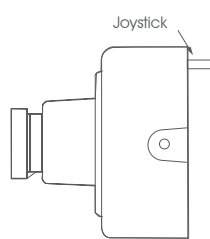
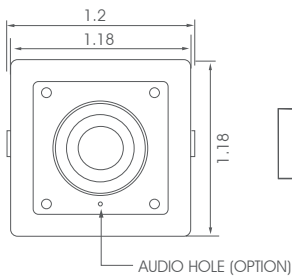
KPC-A700NP1



KPC-A700NP3



KPC-A700NP4



750
TVL

True
Color

2D
DNR

BLC

AGC

AWB

ATR

HLC

Privacy
Mask

Miniature

Motion
Detection

Multi
Language

DC12

Technical Specifications:

Signal Format	NTSC	PAL
Image Sensor	1/3" 960H SONY SuperHAD CCD II	
Scanning System	2 : 1 Interlace	
H Resolution.	750TV Lines	
Scanning Frequency	15.734KHz(H),59.94Hz(V)	15.625KHz(H),50Hz(V)
Total Pixels	1020(H) X 508(V)	1020(H) X 596(V)
Effective Pixels	976(H) X 494(V)	976(H) X 582(V)
Electronic Shutter	1/60 ~ 1/100,000 sec	1/50 ~ 1/100,000 sec
Sense up	Off / Auto	
S/N Ratio	More than 50dB(AGC OFF)	
Min. Illumination	0.1 lx (F2.0, DSS Off) / 0.01 lx (F2.0, DSS On)	
Sync System	Internal	
Gamma	r= 0.45	
Video Output	1.0 Vp-p Composite (75Ω)	
OSD	Built in (Inner Key / Joystick)	
ATR	OFF / ON (Level adjustable)	
White Balance	ATW / PUSH / USER1 / USER2 / MANUAL / PUSH-LOCK	
3DNR	Level Adjust	
Function	MIRROR / FREEZE / BRIGHTNESS / CONTRAST / SHARPNESS / HUE / GAIN / DIGITAL ZOOM / HLC	
Privacy Masking	15 Zones (Polygon)	
Motion Detection	4 Zones	
Lens	Fixed Board, Pinhole, Varifocal Lens	
Language	ENGLISH / SPANISH / RUSSIAN / PORTUGUESE / GERMAN / FRENCH / CHINESE / JAPANESE	
Operating Temperature	-15°C~50°C (5°F~122°F)	
Storage Temperature	-20°C~60°C (-4°F~140°F)	
Humidity	Less than 80%	
Power Consumption	12VDC ±10% Max. 110mA	
Weight	Approx. 35g	
External Control	UTC, RS485(PELCO-D)	
Dimension(mm)	30(W) x 30(H)	

Type	Board Lens							Pinhole Lens			Varifocal (DC or DN)	Mount
	2.45	2.95	3.6	6	8	12	16	P1	P3	P4		
Focal Length	2.45	2.95	3.6	6	8	12	16	3.7	3.7	4.3	4.0 ~ 8.0	C/CS
Aperture	F2.0	F2.0	F2.0	F2.0	F2.0	F2.2	F2.5	F2.0	F2.0	F2.0	F2.0 ~ 2.8	
Angle of View	150°	130°	92°	53°	40°	28°	19°	90°	90°	78°	89.2° ~ 44.2°	

Lens (mm)