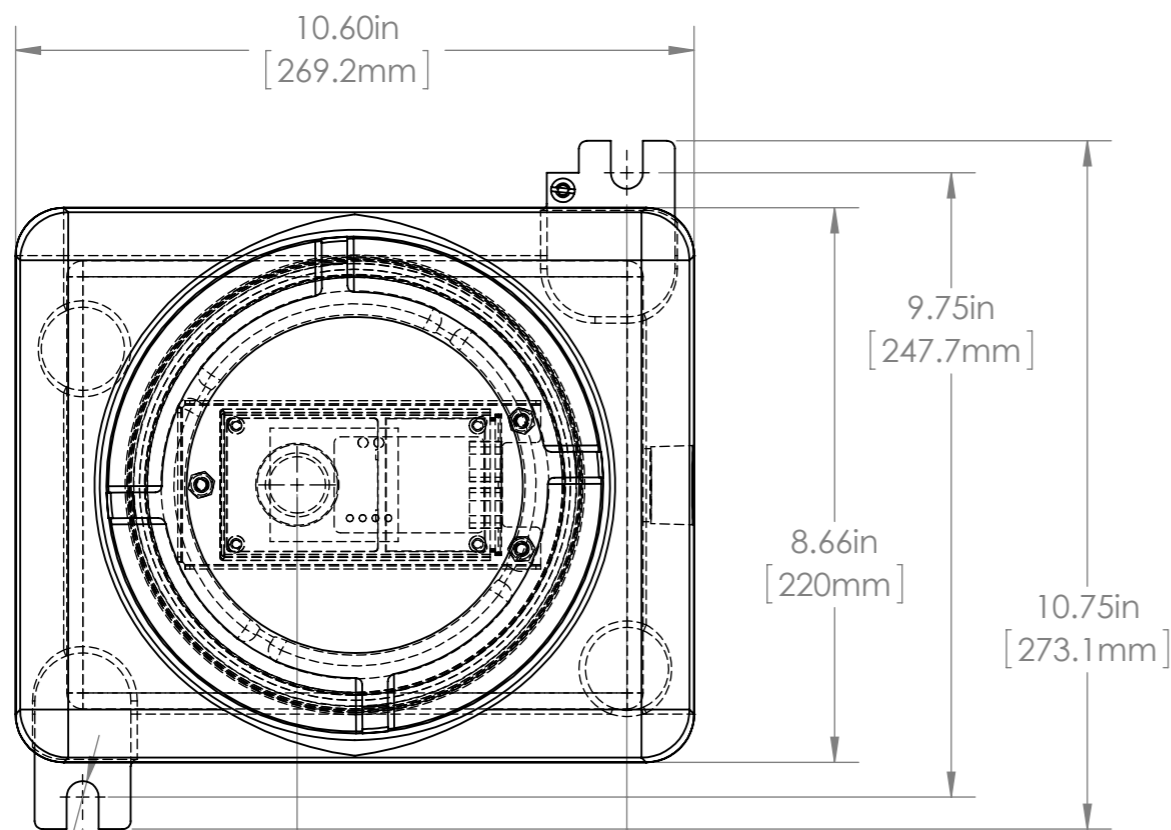
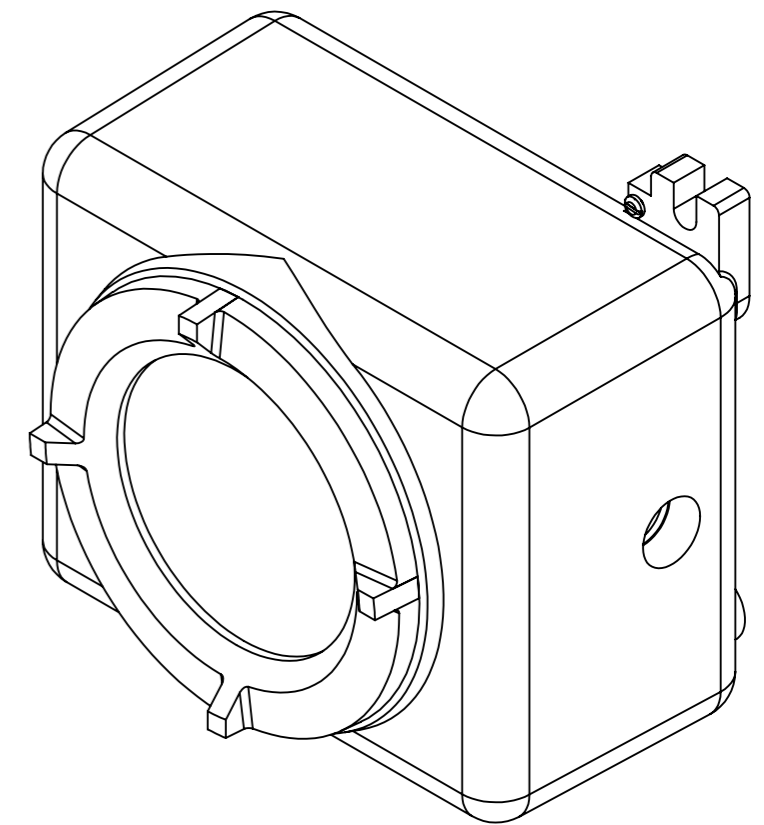
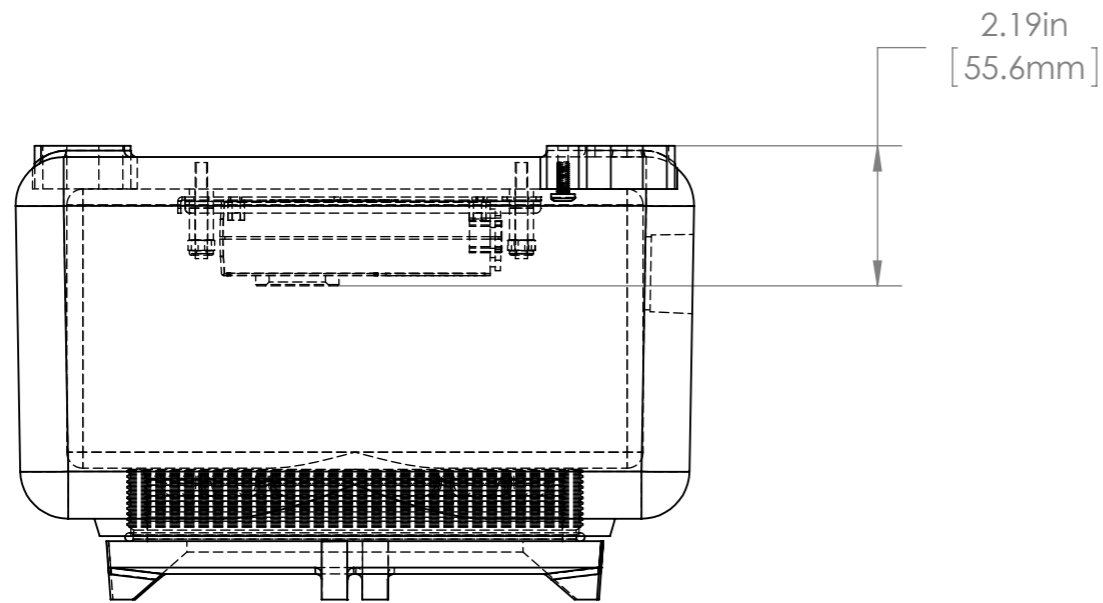
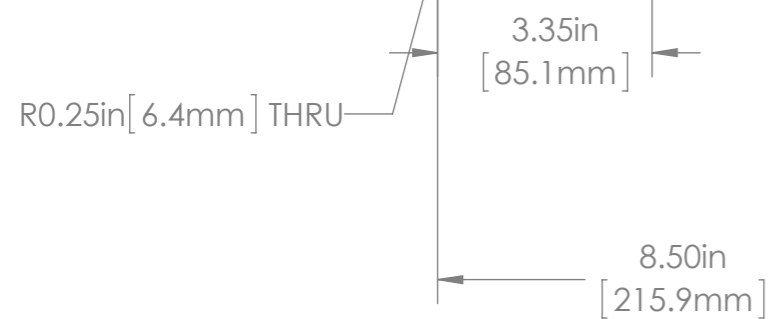
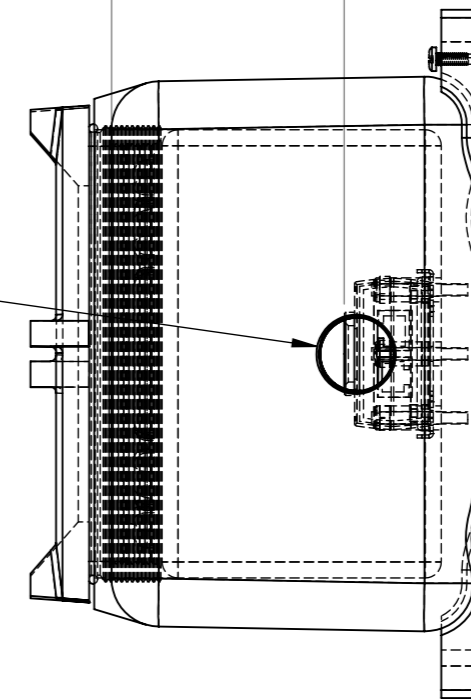


				UNLESS OTHERWISE SPECIFIED: DIMENSIONS ARE IN INCHES SURFACE FINISH: TOLERANCES: .000= +/- 0.005" .00= +/- 0.010"		FINISH: DEBUR AND BREAK SHARP EDGES		Allison Park Group, Inc. (APG) 4055 Alpha Drive Allison Park, PA 15101 USA		DO NOT SCALE DRAWING		REVISION	
				LINEAR:				Phone +1 (412) 487-8211 Fax +1 (412) 486-3157		This document is the property of APG and is considered company confidential. The information in this document is the property of APG and may not be used, reproduced, or distributed in whole or in part without the prior written permission of APG			
				DRAWN		SIGNATURE		www.apgvision.com		TITLE: L4-AJ ENCLOSURE DIMS			
				CHK'D		DATE		MATERIAL: CAST ALUMINUM		DWG NO.		A3	
				APPVD				WEIGHT:		SCALE:1:5		SHEET 1 OF 1	
				MFG									
				Q.A									
				NOTES:									
NO.	CHANGE	DATE	INIT.										



3.64in
[92.4mm]
MAX AVAILABLE
LENS LENGTH

1" NPT PIPE
THREAD
ACCESS HOLE



UNLESS OTHERWISE SPECIFIED: DIMENSIONS ARE IN INCHES SURFACE FINISH: TOLERANCES: .000= +/- 0.005" .00= +/- 0.010"				FINISH: DEBUR AND BREAK SHARP EDGES	
NAME	SIGNATURE	DATE			
DRAWN SCHUBERT		7/19/2010			
CHK'D					
APPVD					
MFG					
Q.A					
NOTES:					
NO.	CHANGE	DATE	INIT.		

Allison Park Group, Inc. (APG)
4055 Alpha Drive
Allison Park, PA 15101 USA

Phone +1 (412) 487-8211
Fax +1 (412) 486-3157

www.apgvision.com

MATERIAL:
CAST ALUMINUM

WEIGHT:

DO NOT SCALE DRAWING

REVISION

This document is the property of APG and is considered company confidential. The information in this document is the property of APG and may not be used, reproduced, or distributed in whole or in part without the prior written permission of APG.

TITLE:

L4-AE ENCLOSURE DIMS

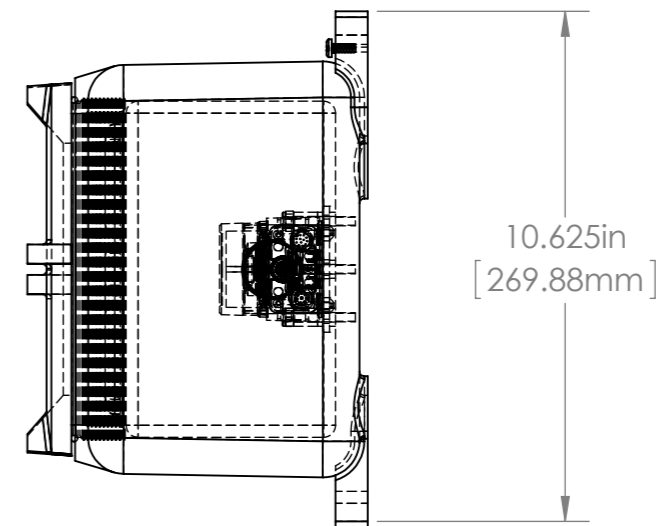
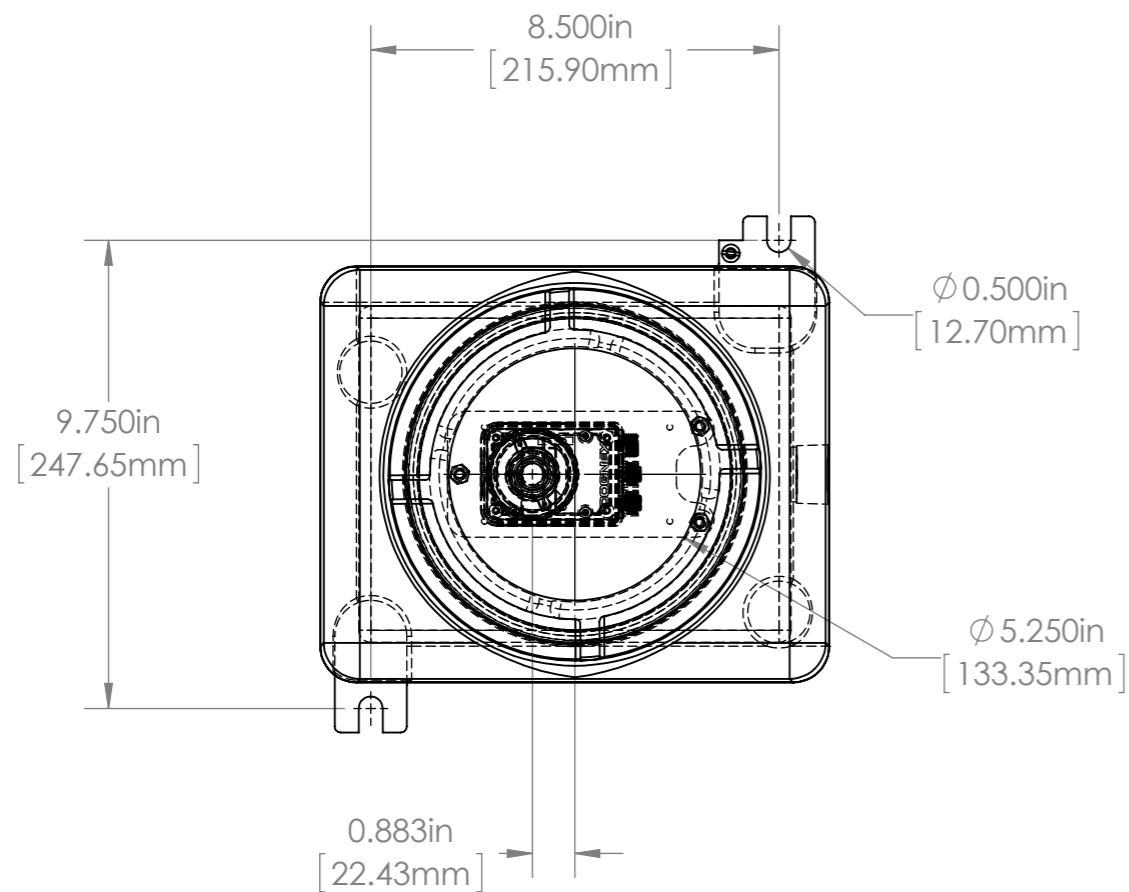
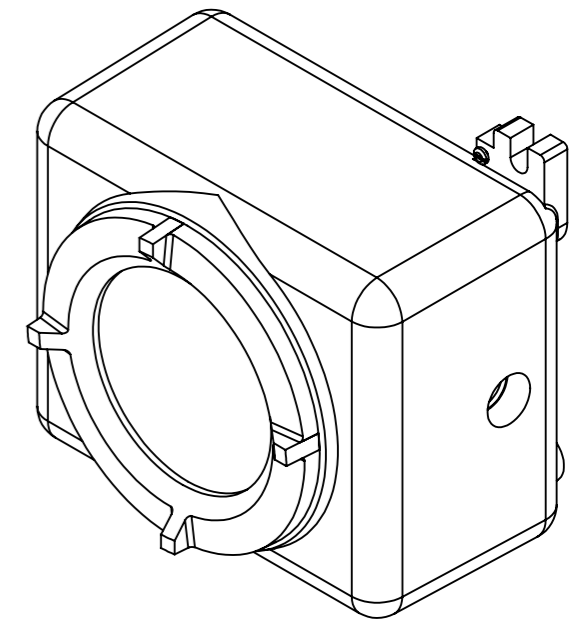
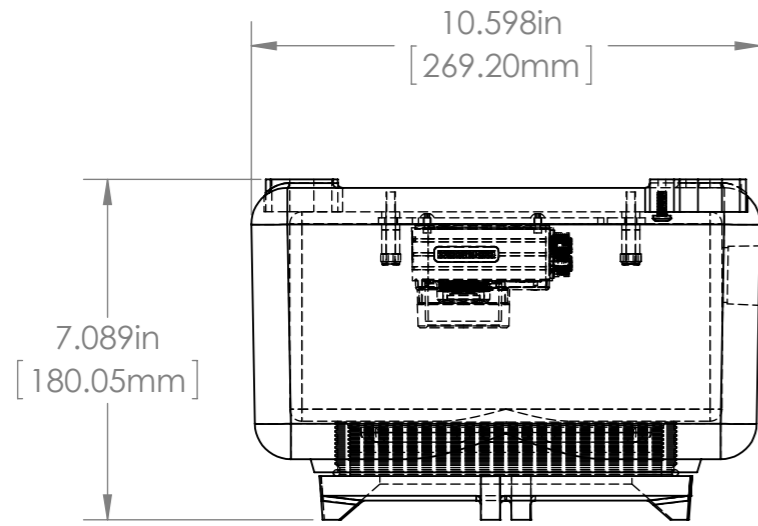
DWG NO.

L4-AE

A3

SCALE: 1:5

SHEET 1 OF 1



				UNLESS OTHERWISE SPECIFIED: DIMENSIONS ARE IN INCHES SURFACE FINISH: TOLERANCES: .000= +/- 0.005" .00= +/- 0.010"		FINISH: DEBUR AND BREAK SHARP EDGES		Allison Park Group, Inc. (APG) 4055 Alpha Drive Allison Park, PA 15101 USA		DO NOT SCALE DRAWING		REVISION	
				LINEAR:				Phone +1 (412) 487-8211 Fax +1 (412) 486-3157		This document is the property of APG and is considered company confidential. The information in this document is the property of APG and may not be used, reproduced, or distributed in whole or in part without the prior written permission of APG		TITLE: L4-BK (IS7000)	
				DRAWN		SCHUBERT		www.apgvision.com					
				CHK'D				MATERIAL:					
				APPVD				WEIGHT:					
				MFG				SCALE: 1:4					
				Q.A				SHEET 1 OF 1					
				NOTES:				A3					
NO.		CHANGE		DATE		INIT.							

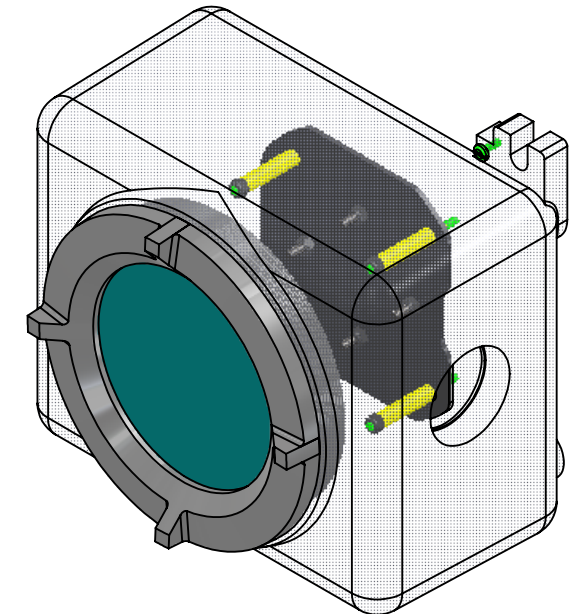
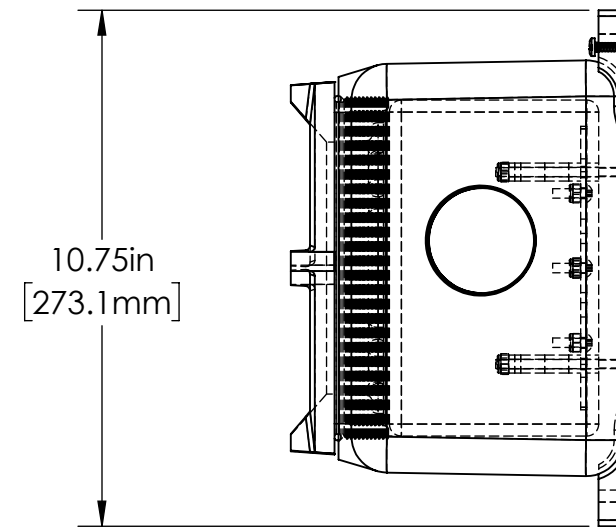
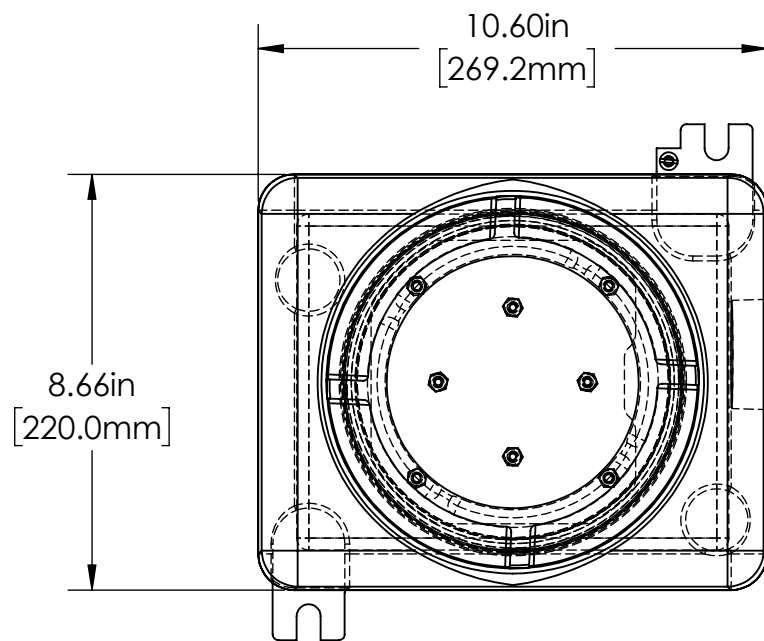
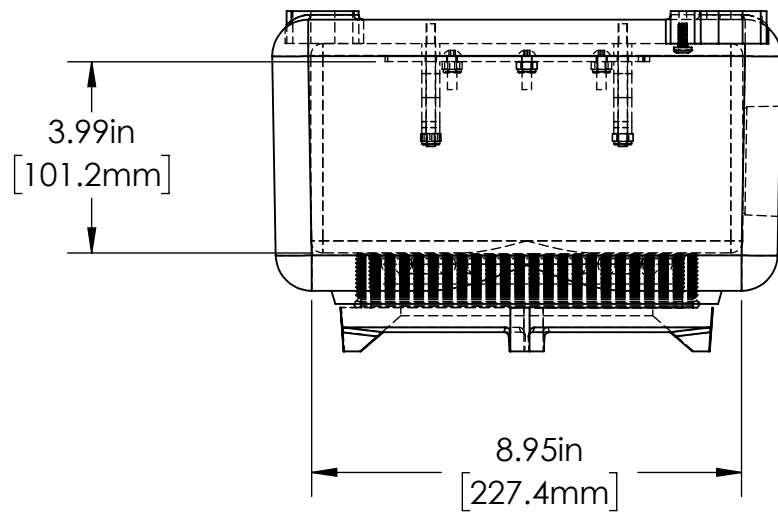
4

3

2

1

REVISIONS				
ZONE	REV.	DESCRIPTION	DATE	APPROVED
	A		01/09/2020	



A

A



For more information please contact:

BOCK OPTRONICS INC.
 14 Steinway Blvd., Unit 7
 Toronto, Ontario M9W 6M6

Tel: (416) 674-2804
sales@bockoptronics.ca
www.bockoptronics.ca

TOLERANCES UNLESS OTHERWISE SPECIFIED			
MACHINING		SHEET METAL	
X.X	0.0250"	HOLE TO HOLE (SAME SURFACE)	
X.XX	0.0100"	X.X	0.030"
X.XXX	0.0050"	X.XX	0.010"
X.XXXX	0.0005"	X.XXX	0.005"
ANGULAR	0.5°	X.XXX	0.015"
DEBURR ALL		HOLE TO FOLDED EDGE	
		X.X	0.035"
		X.XX	0.025"
		X.XXX	0.015"
		FOLD TO FOLD	
		X.X	0.045"
		X.XX	0.035"
		X.XXX	0.020"
		ANGULAR 1.0°	



ALL WEIGHTS ARE IN POUNDS

THIS PRINT IS THE PROPERTY OF ALLISON PARK GROUP. THE INFORMATION CONTAINED HEREIN IS CONFIDENTIAL. IT IS NOT TRANSFERABLE. IT IS FURNISHED WITH THE CLEAR UNDERSTANDING THAT IT IS NOT TO BE TRACED, REPRODUCED OR USED IN ANY PROCESS OF MANUFACTURING WITHOUT WRITTEN PERMISSION FROM THE OWNER AND IS RETURNABLE UPON DEMAND. ANY INFRINGEMENT UPON THE PATENT RIGHTS SHOWN HEREIN, WHETHER IN PART OR WHOLE, WILL BE PROSECUTED.

AS PART OF OUR POLICY OF CONTINUING DEVELOPMENT, ALLISON PARK GROUP RESERVES THE RIGHT TO ALTER SPECIFICATIONS WITHOUT PRIOR NOTICE.



Allison Park Group, Inc (APG)
 4055 Alpha Drive
 Allison Park, PA 15101 USA
 Phone +1 (412) 487-8211
apgvision.com

DESCRIPTION: L4 ENCLOSURE FOR AXIS P3227LV				
MATERIAL: SEE BOM				
FINISH: SEE BOM				
DRAWN BY: KENNEDY	DATE: 1/8/2020	SCALE: 1:4	SHT-SIZE: B	APPROX. WEIGHT
CHECKED BY:	DATE:	PART NUMBER: L4-BQ	REVISION A	

Sheet1 of 1

4

3

2

1