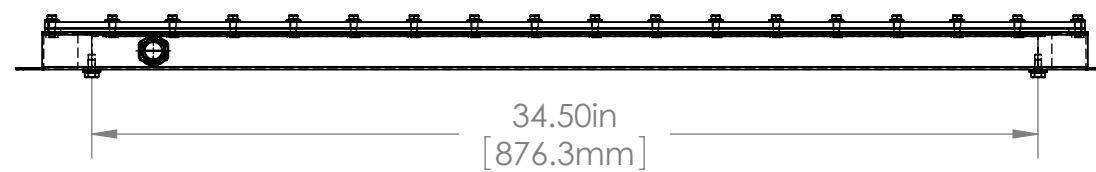
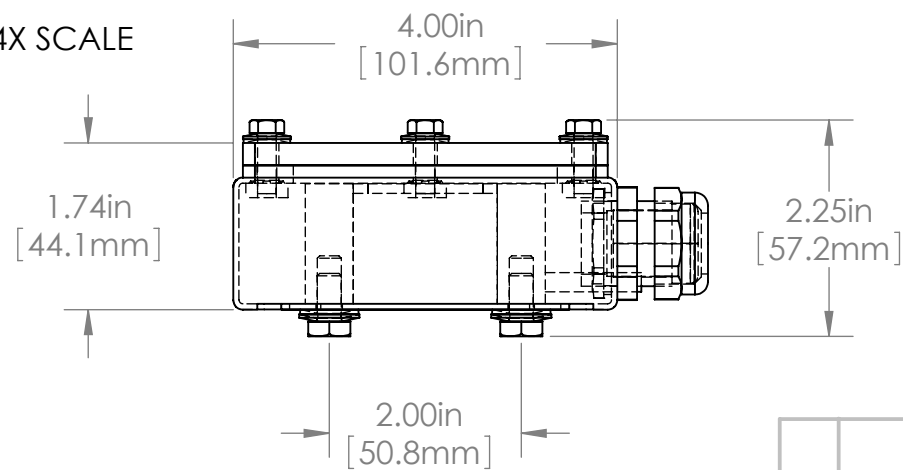
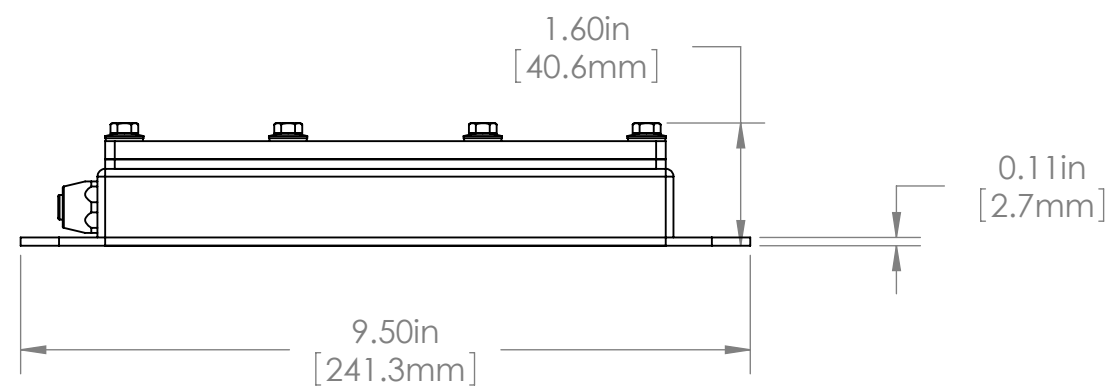
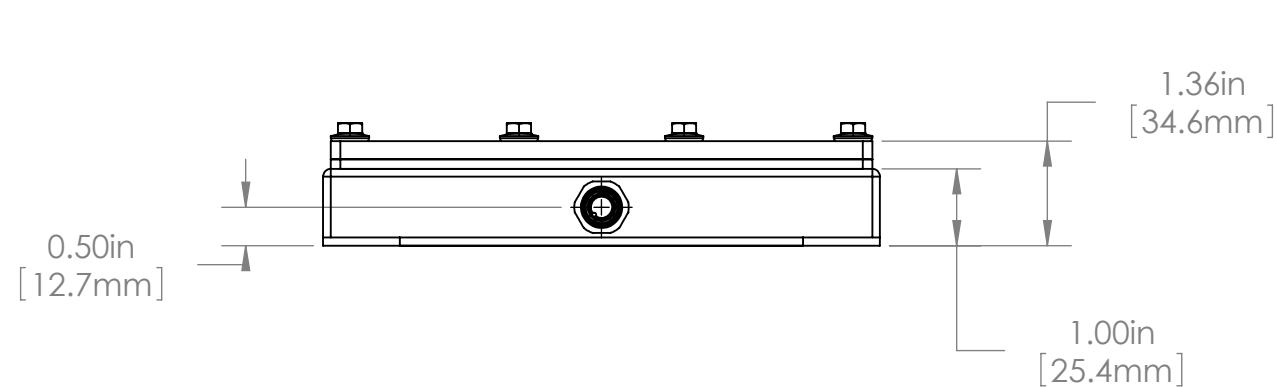
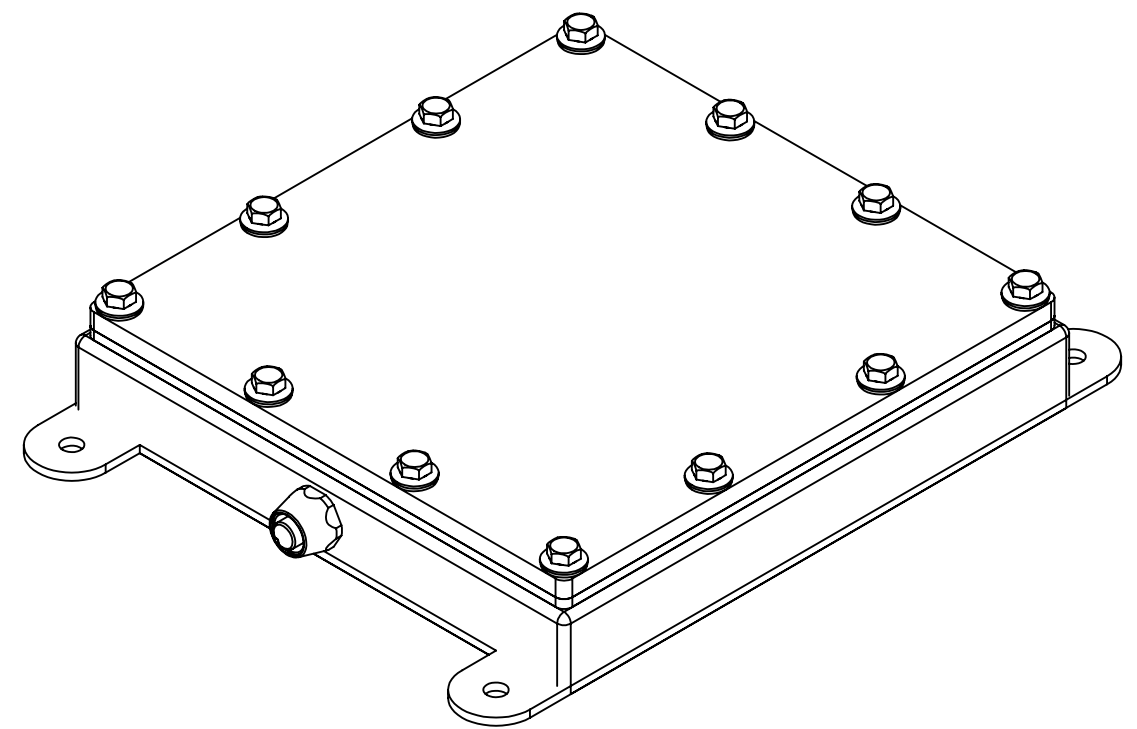
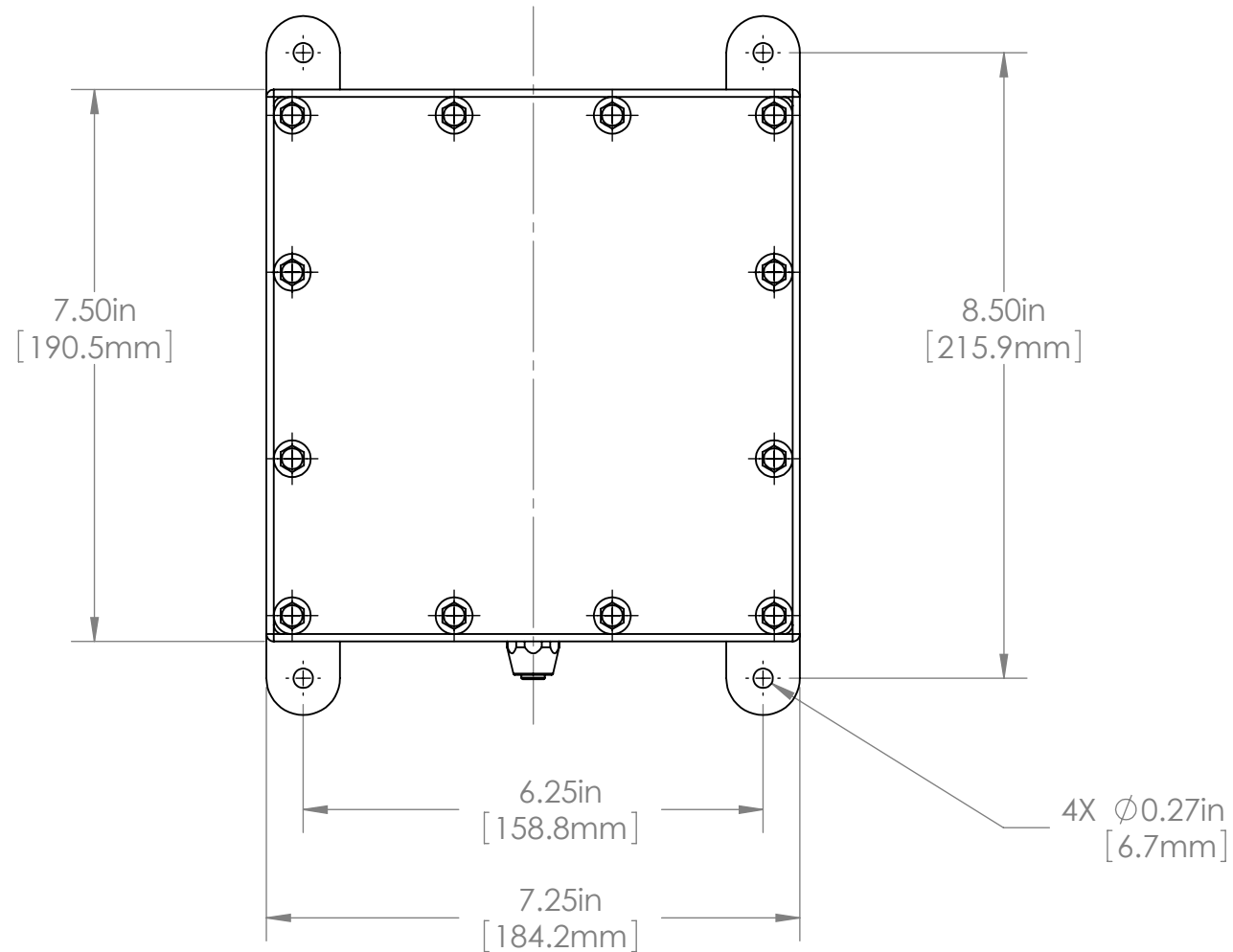


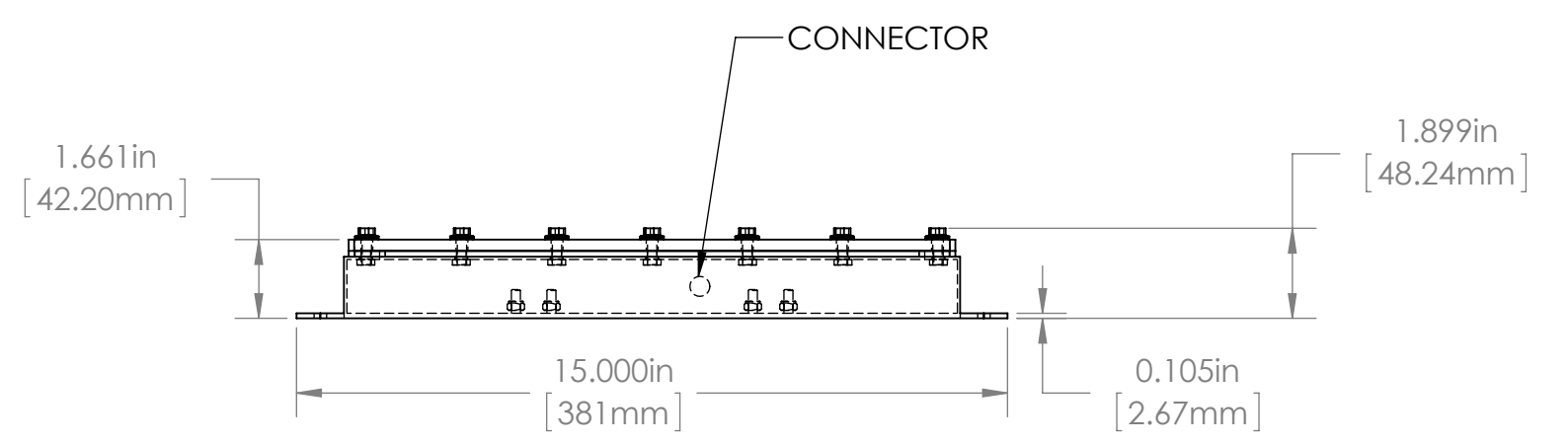
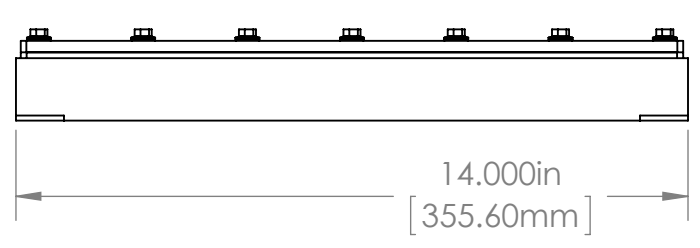
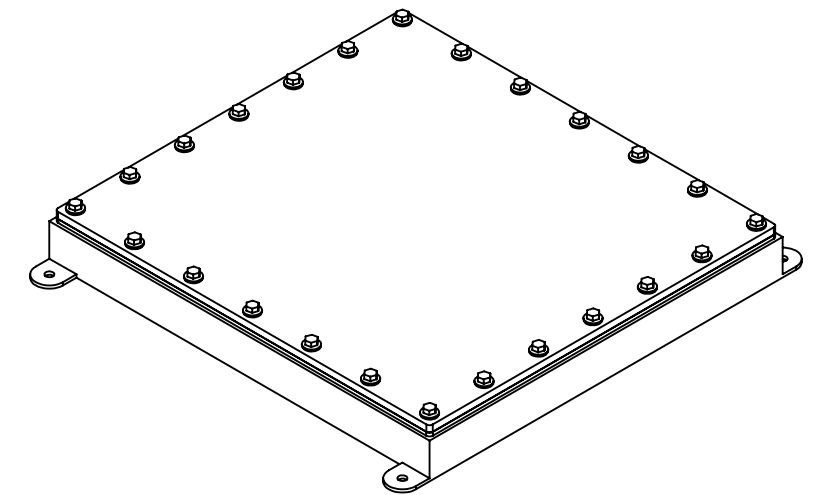
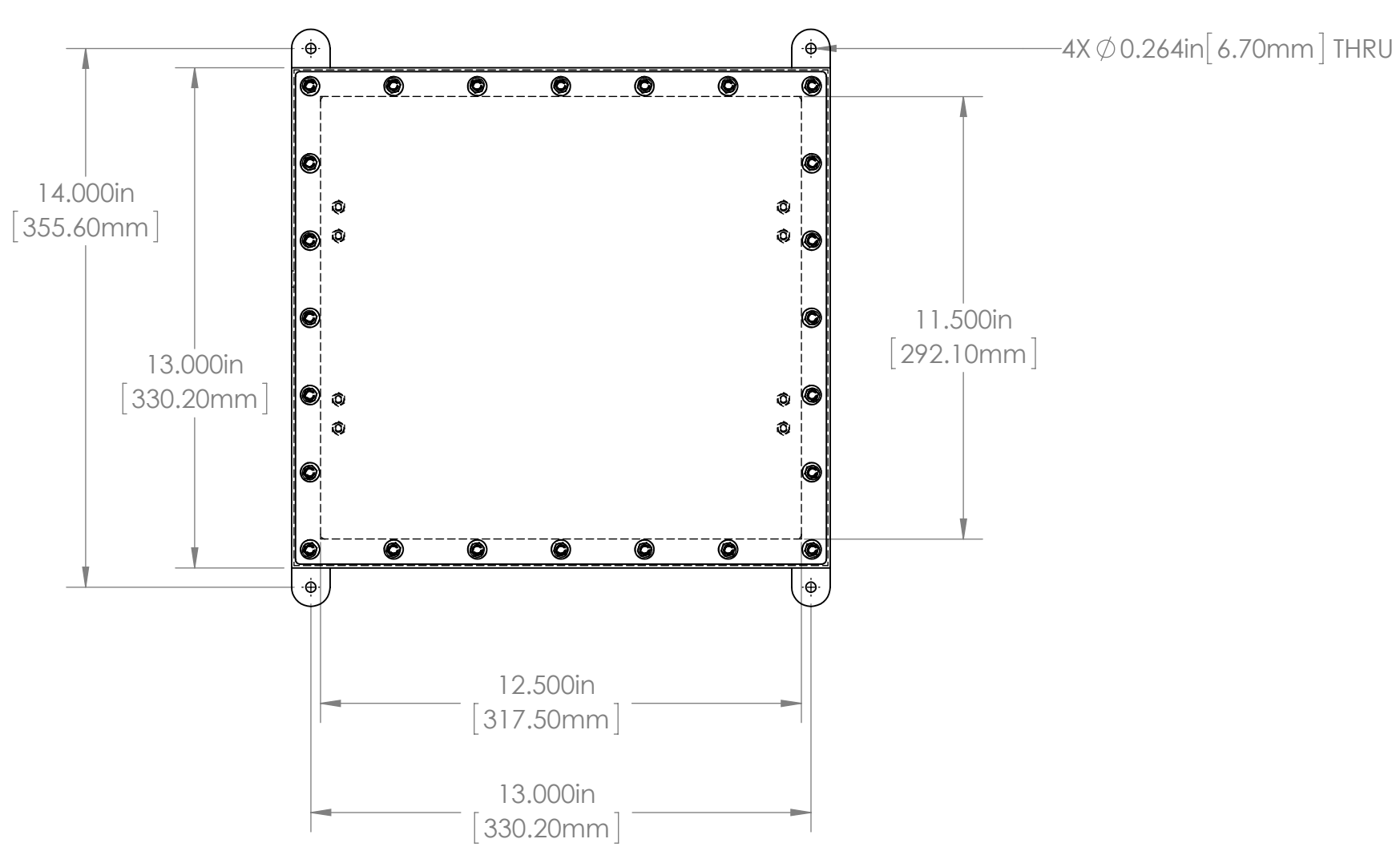
THIS VIEW 4X SCALE



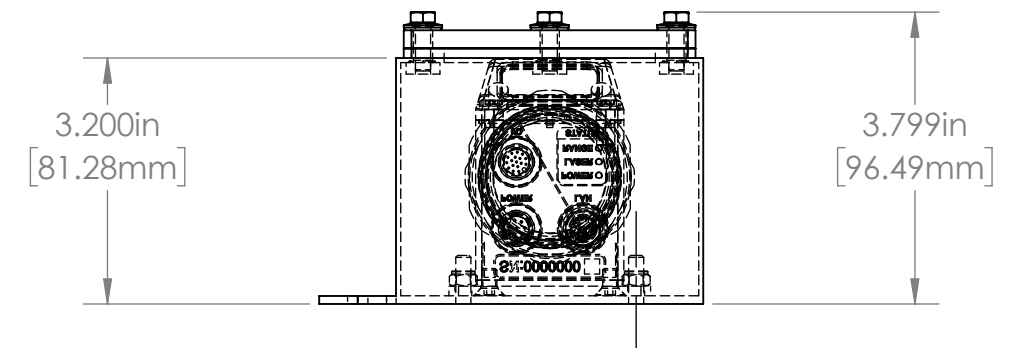
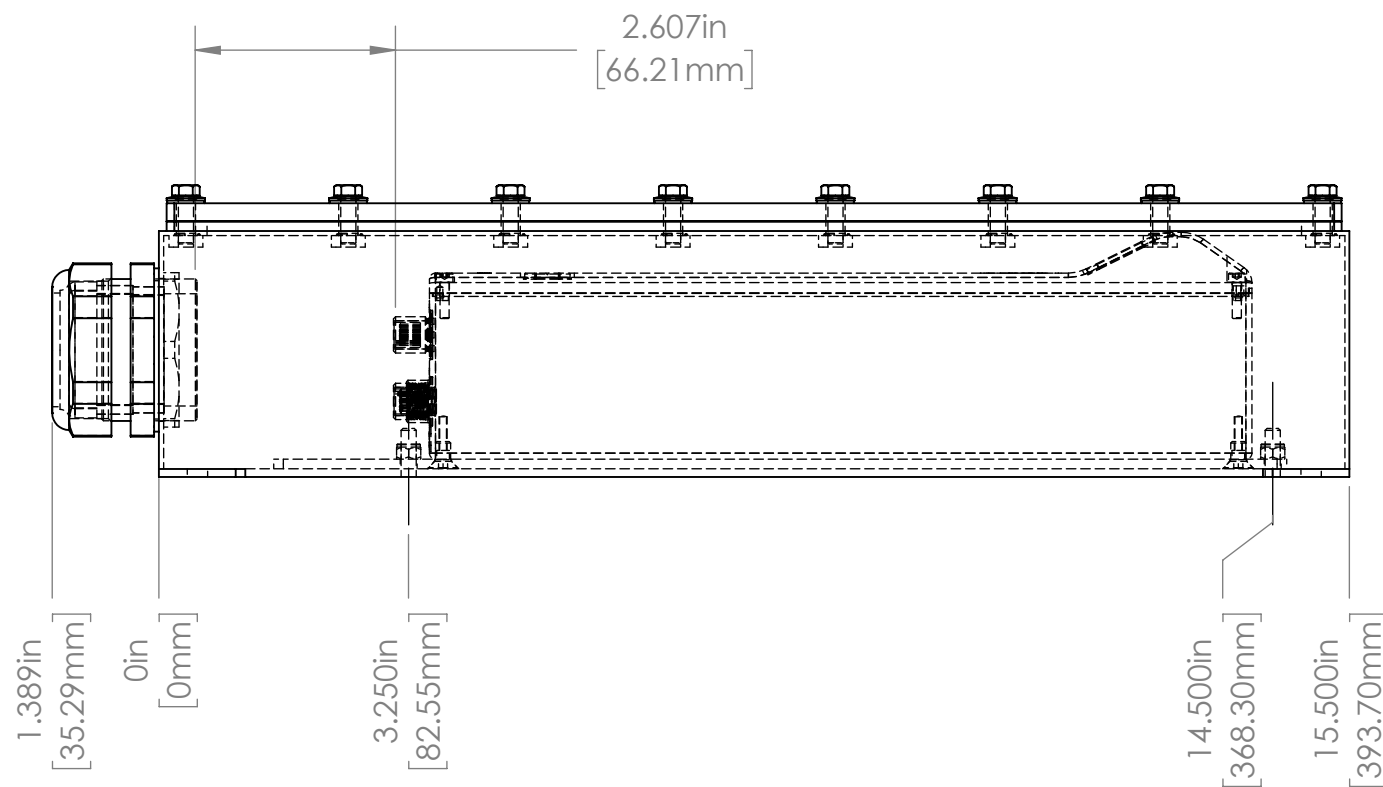
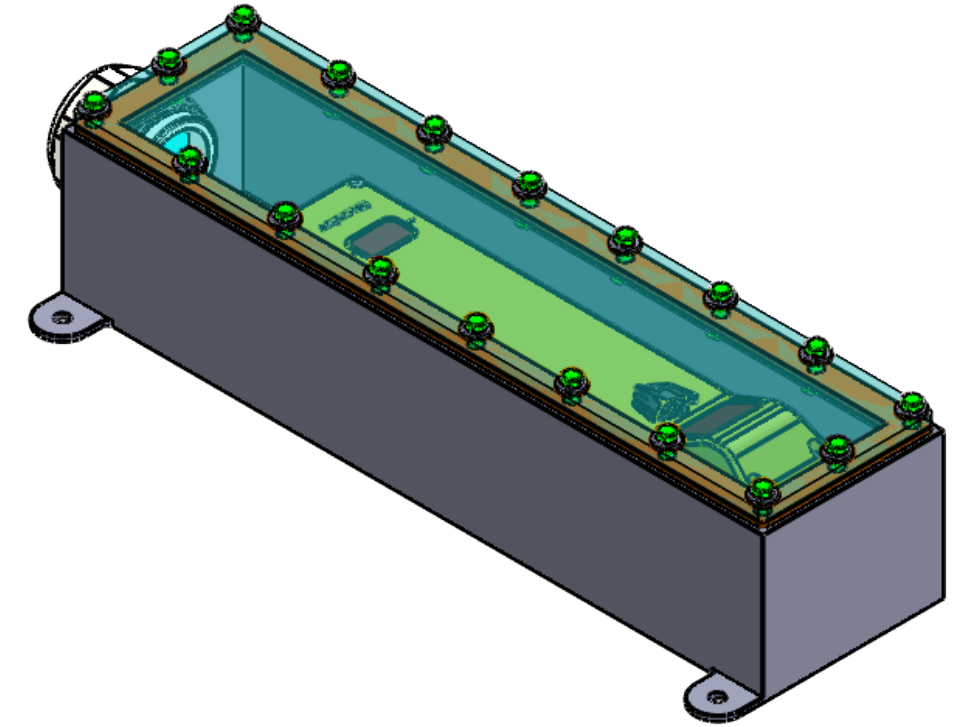
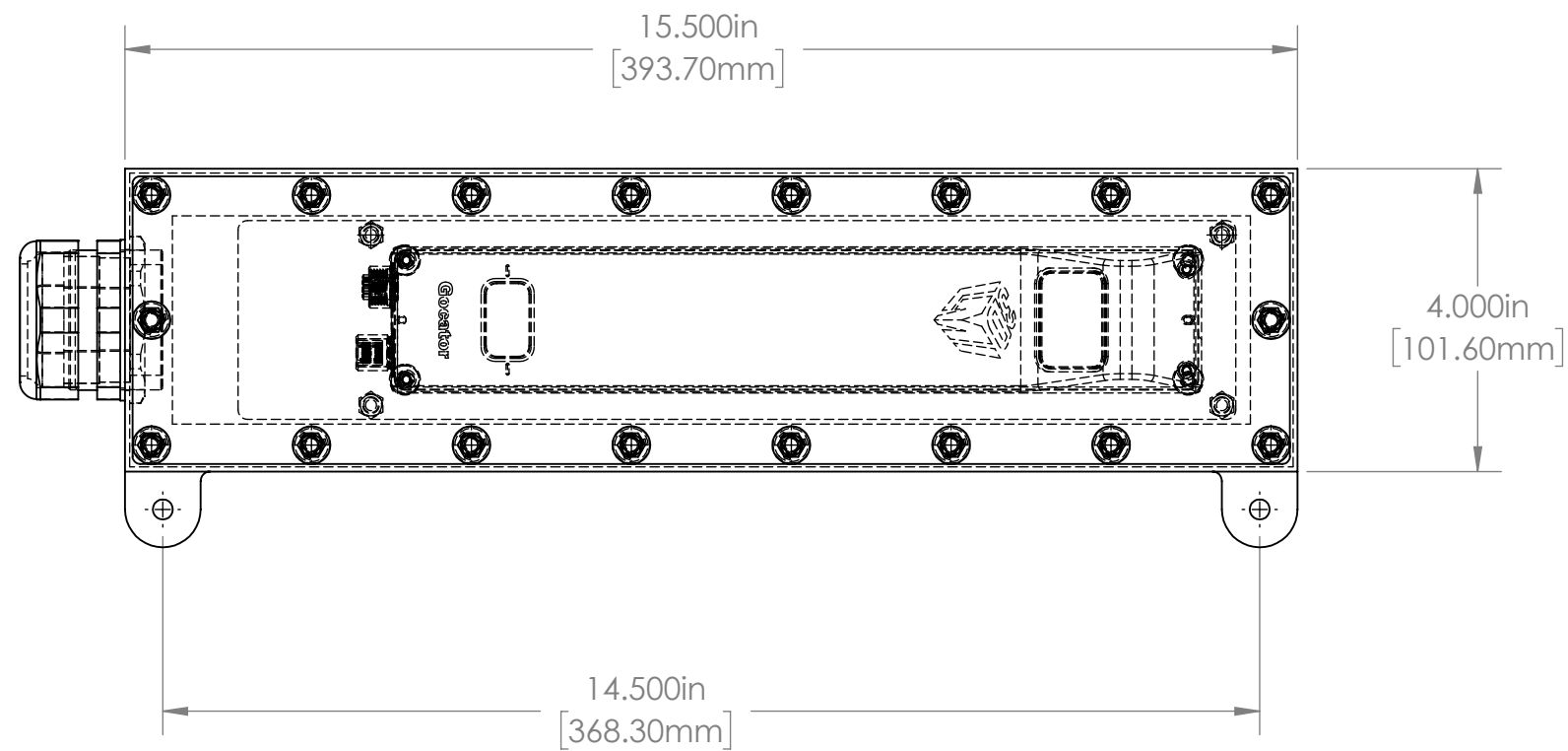
				UNLESS OTHERWISE SPECIFIED: DIMENSIONS ARE IN INCHES SURFACE FINISH: TOLERANCES: .000= +/- 0.005" .00= +/- 0.010"		FINISH: RANDOM DA FINISH DEBUR AND BREAK SHARP EDGES		DO NOT SCALE DRAWING		REVISION	
				LINEAR:		Allison Park Group, Inc. (APG) 4055 Alpha Drive Allison Park, PA 15101 USA		This document is the property of APG and is considered company confidential. The information in this document is the property of APG and may not be used, reproduced, or distributed in whole or in part without the prior written permission of APG			
				DRAWN		Schubert		DATE		7/20/2010	
				CHK'D				Phone		+1 (412) 487-8211	
				APP'VD				Fax		+1 (412) 486-3157	
				MFG				www.apgvision.com		TITLE: ENCLOSURE FOR SPECTRUM LL 134.5	
				Q.A				MATERIAL:		316 Stainless Steel	
				NOTES:				DWG NO.		LA-AA	
				NO.		CHANGE		DATE		INIT.	
				WEIGHT:				SCALE: 1:10		SHEET 1 OF 1	
										A3	



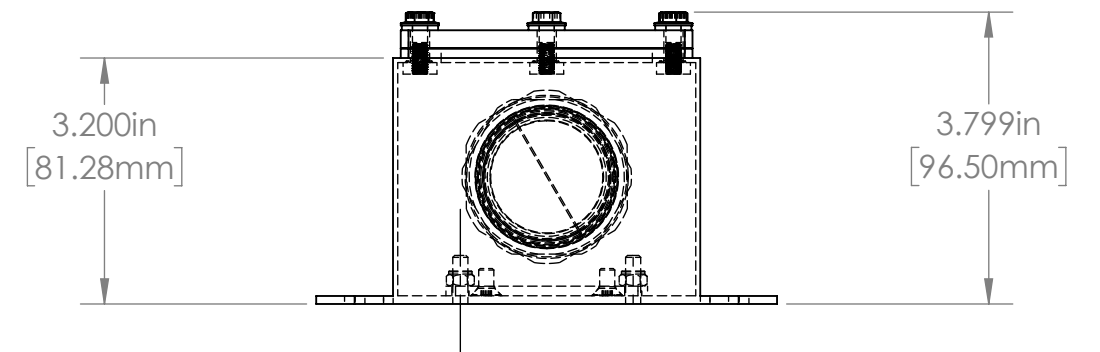
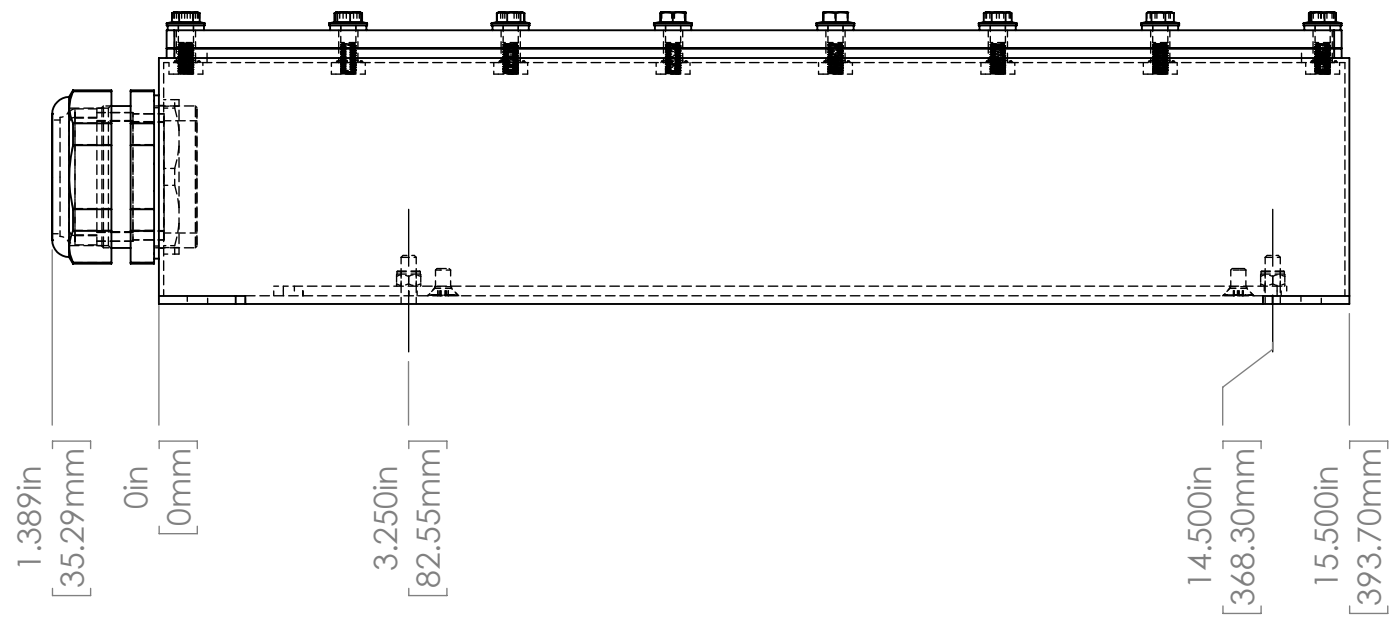
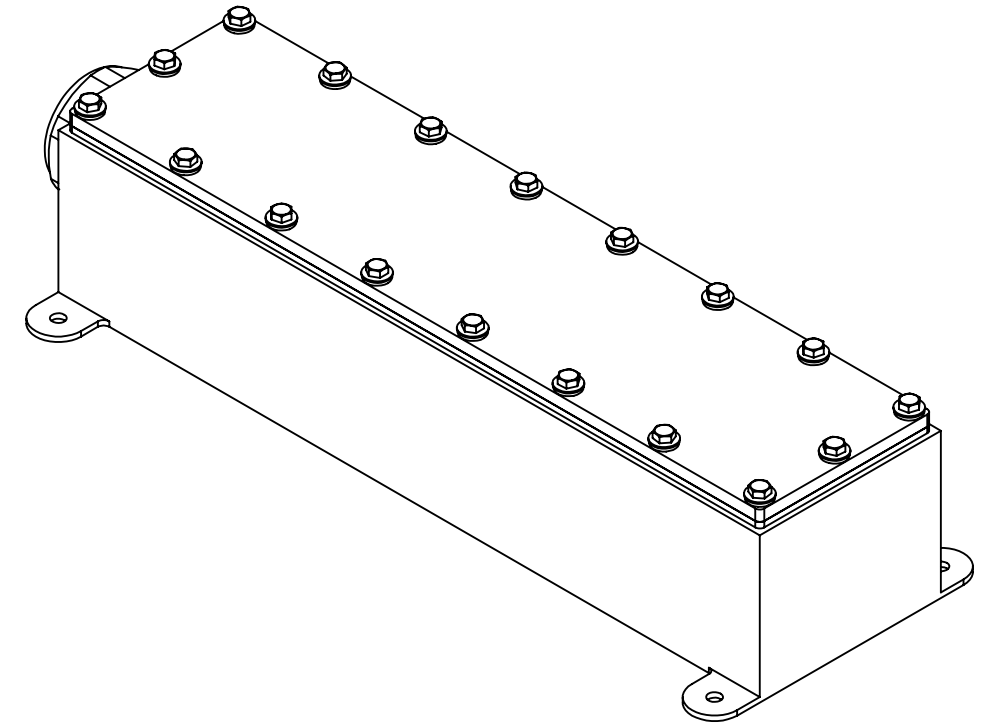
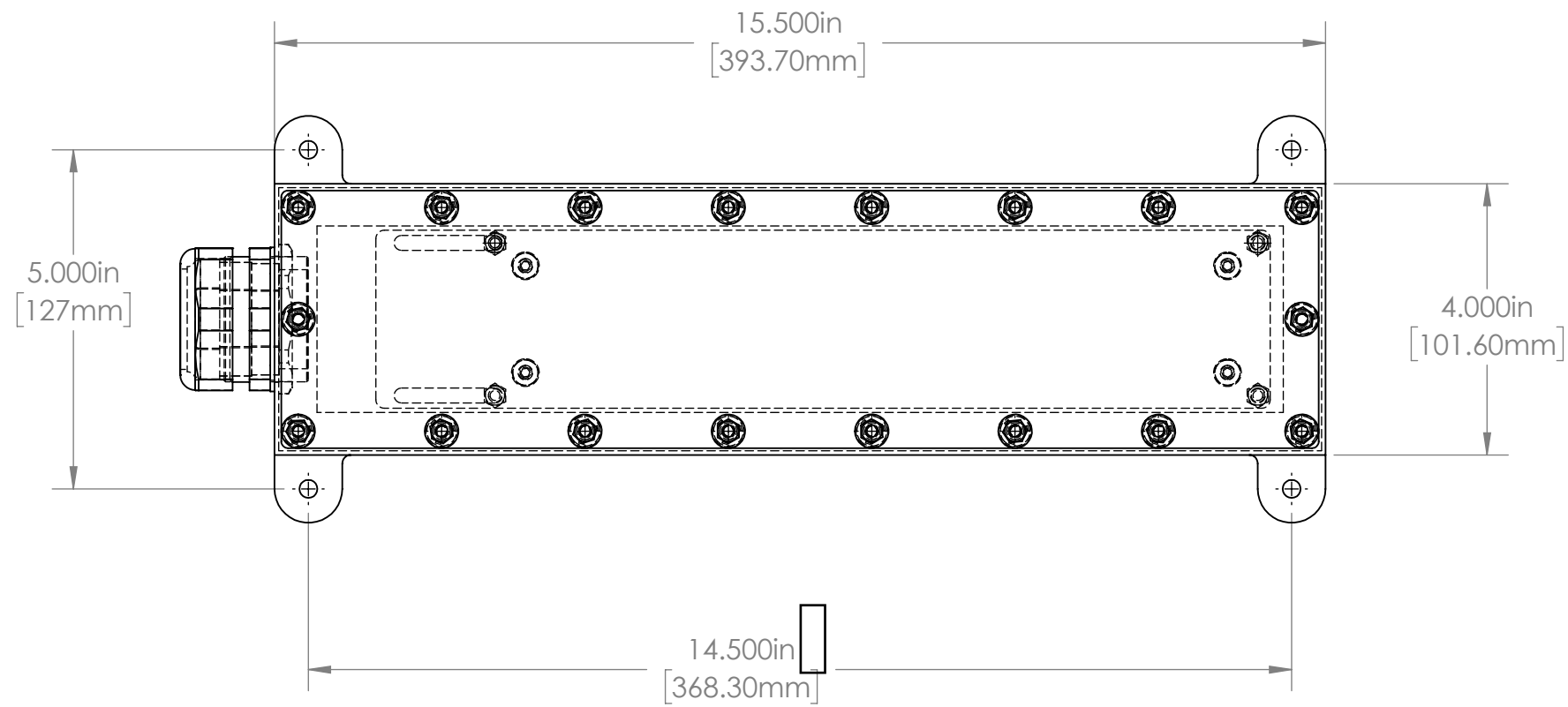
				UNLESS OTHERWISE SPECIFIED: DIMENSIONS ARE IN INCHES SURFACE FINISH: TOLERANCES: .000= +/- 0.005" .00= +/- 0.010"		FINISH: DEBUR AND BREAK SHARP EDGES		Allison Park Group, Inc. (APG) 4055 Alpha Drive Allison Park, PA 15101 USA		DO NOT SCALE DRAWING		REVISION	
				LINEAR:				Phone +1 (412) 487-8211 Fax +1 (412) 486-3157		This document is the property of APG and is considered company confidential. The information in this document is the property of APG and may not be used, reproduced, or distributed in whole or in part without the prior written permission of APG			
				DRAWN		SIGNATURE		www.apgvision.com		TITLE: LA-AF ASSY DIMS			
				SCHUBERT									
				CHK'D									
				APP'VD									
				MFG									
				Q.A									
				NOTES:									
								MATERIAL: 316 Stainless Steel		DWG NO. LA-AF			
								WEIGHT:		SCALE:1:2			
										SHEET 1 OF 1			
NO.		CHANGE		DATE		INIT.							



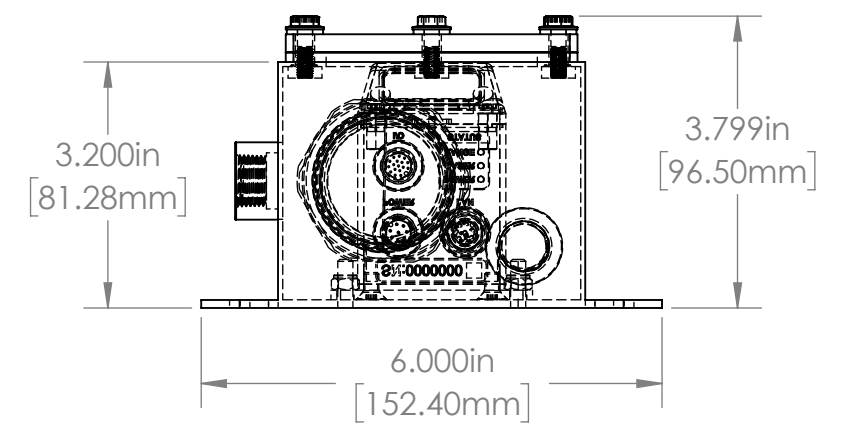
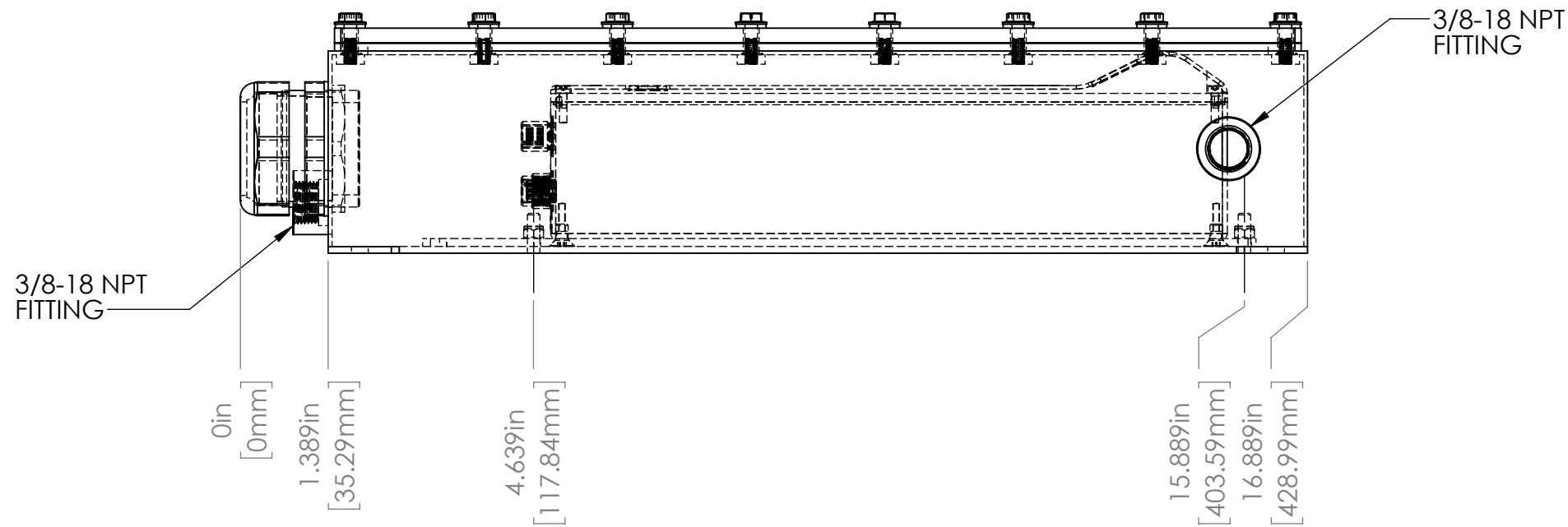
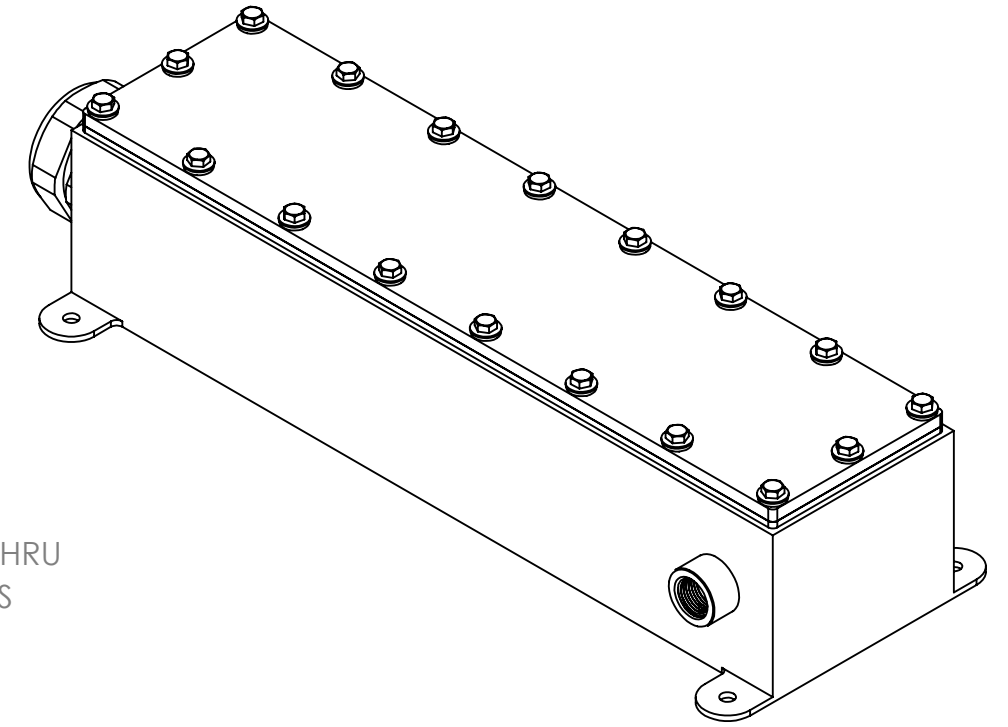
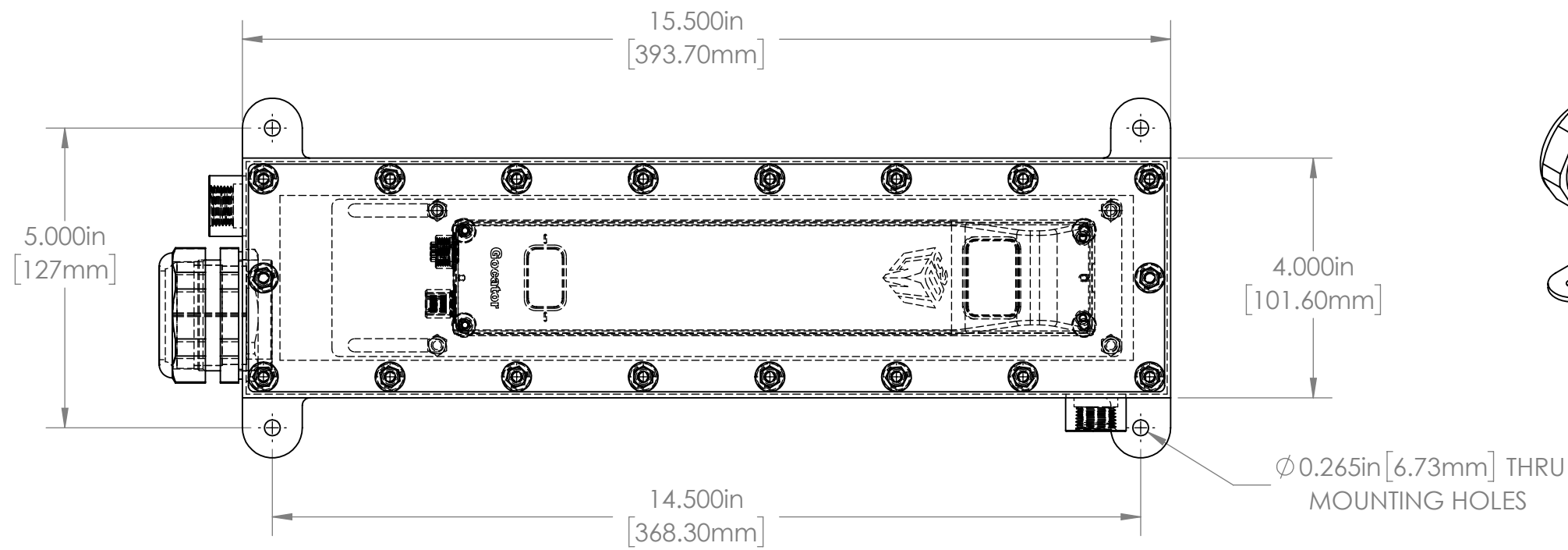
				UNLESS OTHERWISE SPECIFIED: DIMENSIONS ARE IN INCHES SURFACE FINISH: TOLERANCES: .000= +/- 0.005" .00= +/- 0.010"		FINISH: BURNISHED		Allison Park Group, Inc. (APG) 4055 Alpha Drive Allison Park, PA 15101 USA		DO NOT SCALE DRAWING		REVISION	
				LINEAR:		DEBUR AND BREAK SHARP EDGES		Phone +1 (412) 487-8211 Fax +1 (412) 486-3157		This document is the property of APG and is considered company confidential. The information in this document is the property of APG and may not be used, reproduced, or distributed in whole or in part without the prior written permission of APG			
				DRAWN SCHUBERT		SIGNATURE		www.apgvision.com		TITLE: LA-CB (AI BL1010) ASSY			
				CHK'D		DATE 4/16/2013		MATERIAL: 316 STAINLESS STEEL BODY 40D SILICONE GASKET 2447 ACRYLIC VIEWPORT		DWG NO.		A3	
				APPVD				WEIGHT:		SCALE: 1:5		SHEET 1 OF 1	
				MFG				NOTES:					
				Q.A									
				NO. CHANGE		DATE INIT.							



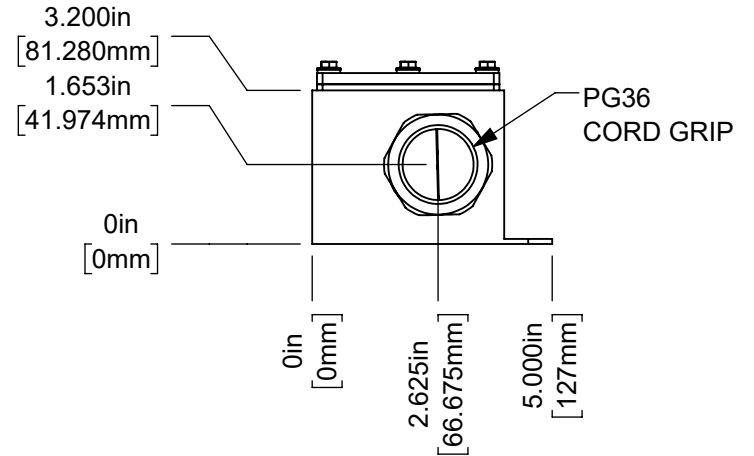
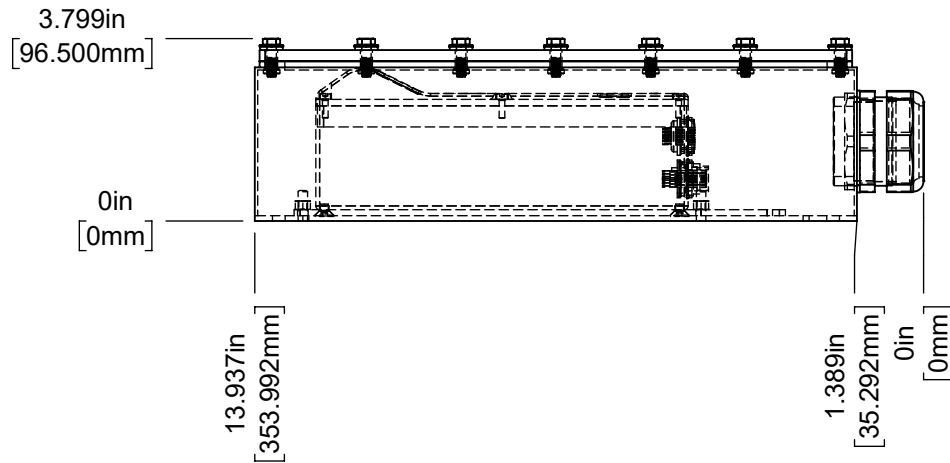
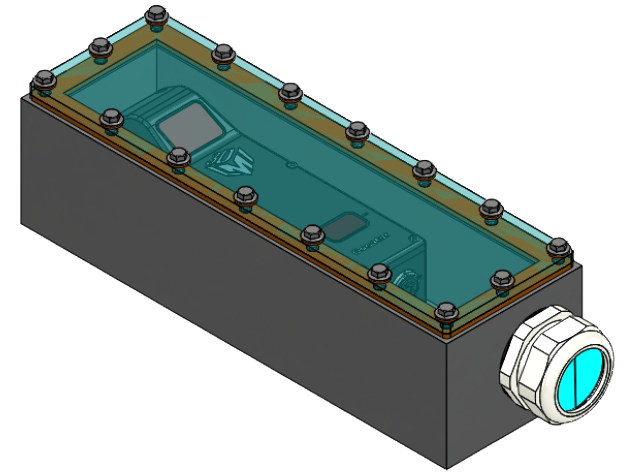
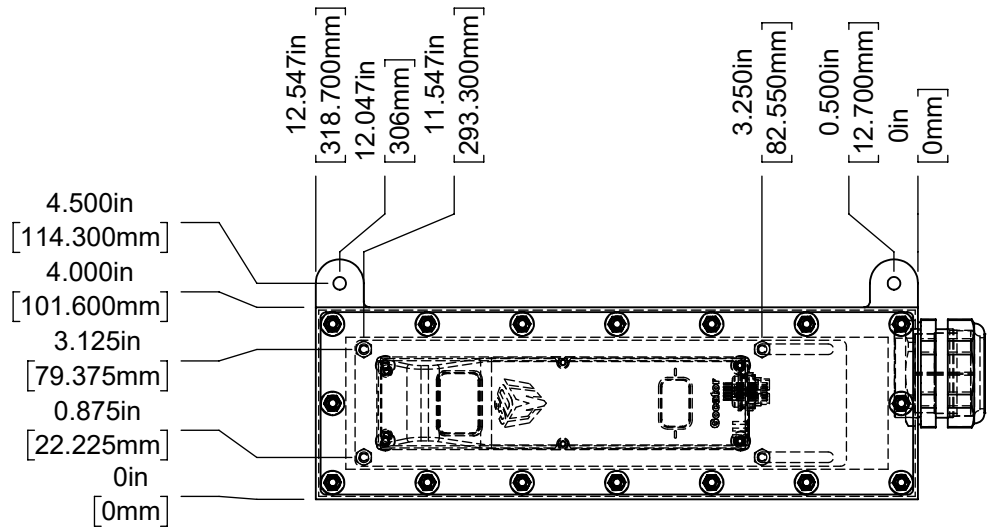
				UNLESS OTHERWISE SPECIFIED: DIMENSIONS ARE IN INCHES SURFACE FINISH: TOLERANCES: .000= +/- 0.005" .00= +/- 0.010"		FINISH: BURNISHED		Allison Park Group, Inc. (APG) 4055 Alpha Drive Allison Park, PA 15101 USA		DO NOT SCALE DRAWING		REVISION	
				LINEAR:		DEBUR AND BREAK SHARP EDGES		Phone +1 (412) 487-8211 Fax +1 (412) 486-3157		This document is the property of APG and is considered company confidential. The information in this document is the property of APG and may not be used, reproduced, or distributed in whole or in part without the prior written permission of APG			
				DRAWN SCHUBERT		SIGNATURE		www.apgvision.com		TITLE: LL-BV (Gocator 2350 2370 2380)			
				CHK'D		DATE 6/12/2017		MATERIAL: 316 STAINLESS STEEL		DWG NO.		A3	
				APP'VD				WEIGHT:		SCALE: 1:2		SHEET 1 OF 1	
				MFG				NOTES: MATERIAL THICKNESS 16 GAUGE TOP&SIDES(0.060") 11 GAUGE BOTTOM (0.105")		LL-BV ASSY			
				Q.A									
				NO. CHANGE		DATE INIT.							



				UNLESS OTHERWISE SPECIFIED: DIMENSIONS ARE IN INCHES SURFACE FINISH: TOLERANCES: .000= +/- 0.005" .00= +/- 0.010"		FINISH: BURNISHED		Allison Park Group, Inc. (APG) 4055 Alpha Drive Allison Park, PA 15101 USA		DO NOT SCALE DRAWING		REVISION	
				LINEAR:		DEBUR AND BREAK SHARP EDGES		Phone +1 (412) 487-8211 Fax +1 (412) 486-3157		This document is the property of APG and is considered company confidential. The information in this document is the property of APG and may not be used, reproduced, or distributed in whole or in part without the prior written permission of APG			
				DRAWN SCHUBERT		SIGNATURE		www.apgvision.com		TITLE: LL-BV-2 (GOCATOR2350A for ACS)			
				CHK'D		DATE 8/29/2017		MATERIAL: 316 STAINLESS STEEL		DWG NO.		A3	
				APPV'D				WEIGHT:		SCALE: 1:2		SHEET 1 OF 1	
				MFG				NOTES: MATERIAL THICKNESS 16 GAUGE TOP&SIDES(0.060") 11 GAUGE BOTTOM (0.105")					
				Q.A									
				NO.		CHANGE							
				DATE		INIT.							



				UNLESS OTHERWISE SPECIFIED: DIMENSIONS ARE IN INCHES SURFACE FINISH: TOLERANCES: .000= +/- 0.005" .00= +/- 0.010"	FINISH: BURNISHED	Allison Park Group, Inc. (APG) 4055 Alpha Drive Allison Park, PA 15101 USA Phone +1 (412) 487-8211 Fax +1 (412) 486-3157 www.apgvision.com	DO NOT SCALE DRAWING	REVISION
				LINEAR:	DEBUR AND BREAK SHARP EDGES		This document is the property of APG and is considered company confidential. The information in this document is the property of APG and may not be used, reproduced, or distributed in whole or in part without the prior written permission of APG.	
				NAME	SIGNATURE	DATE	TITLE: LL-BV-3 (Gocator 2180 for Vesivius)	
				DRAWN	OLSON	7/19/2017	DWG NO. LL-BV-3	
				CHK'D			A3	
				APP'VD			SCALE: 1:2	
				MFG			SHEET 1 OF 1	
				Q.A				
				NOTES:	MATERIAL THICKNESS 16 GAUGE TOP & SIDES (0.060") 11 GAUGE BOTTOM (0.105")			
NO.	CHANGE	DATE	INIT.	MATERIAL: 316 STAINLESS STEEL		WEIGHT:		



TOLERANCES UNLESS OTHERWISE SPECIFIED				
MACHINING		SHEETMETAL		
XX	0.0300	 ALL WEIGHTS ARE IN POUNDS	XX	± 0.0
XXX	0.0100		XXX	± 0.020
XXXX	0.0050		XXXX	NOTED
XXXXX	0.0005		ANGULAR	0.5°
ANGULAR	0.5°		DEBURR	ALL EDGES

apg Allison Park Group, Inc (APG)
4055 Alpha Drive
Allison Park, PA 15101 USA
Phone +1 (412) 487-8211
Fax +1 (412) 486-3157

THIS PRINT IS THE PROPERTY OF ALLISON PARK GROUP. THE INFORMATION CONTAINED HEREIN IS CONFIDENTIAL. IT IS NOT TRANSFERABLE. IT IS FURNISHED WITH THE CLEAR UNDERSTANDING THAT IT IS NOT TO BE TRACED, REPRODUCED OR USED IN ANY PROCESS OF MANUFACTURING WITHOUT WRITTEN PERMISSION FROM THE OWNER AND IS RETURNABLE UPON DEMAND. ANY INFRINGEMENT UPON THE PATENT RIGHTS SHOWN HEREIN, WHETHER IN PART OR WHOLE, WILL BE PROSECUTED. AS PART OF OUR POLICY OF CONTINUING DEVELOPMENT, ALLISON PARK GROUP RESERVES THE RIGHT TO ALTER SPECIFICATIONS WITHOUT PRIOR NOTICE.

DESCRIPTION: ENCLOSURE FOR GOCATOR 2140				
MATERIAL: 316 STAINLESS STEEL ENCLOSURE			APPROX. WEIGHT 4.84lbs	
FINISH:				
DRAWN BY: M. HART	DATE: 08 NOV 17	SCALE: NTS	SHT-SIZE: A	REF. NUMBER:
CHECKED BY:	DATE:	PART NUMBER: LL-BV-4		REVISION A
APPROVED BY:	DATE:	Sheet 1 of 1		

REV.	DESCRIPTION	DATE	REV. BY	APPR. BY
A	RELEASE FOR QUOTATION	09 NOV 17	M. HART	
REVISIONS				

4

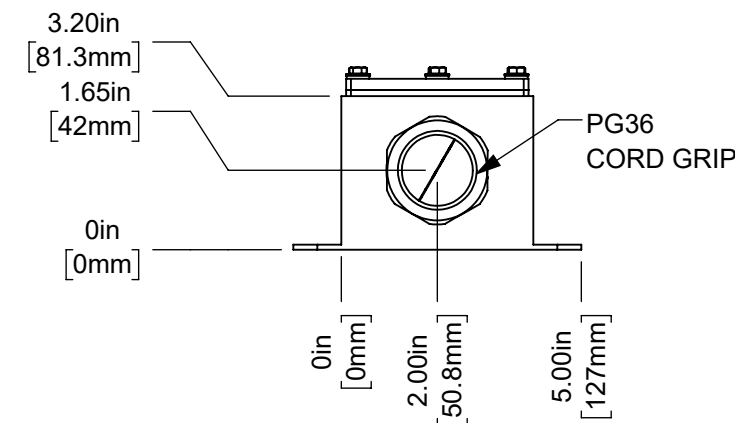
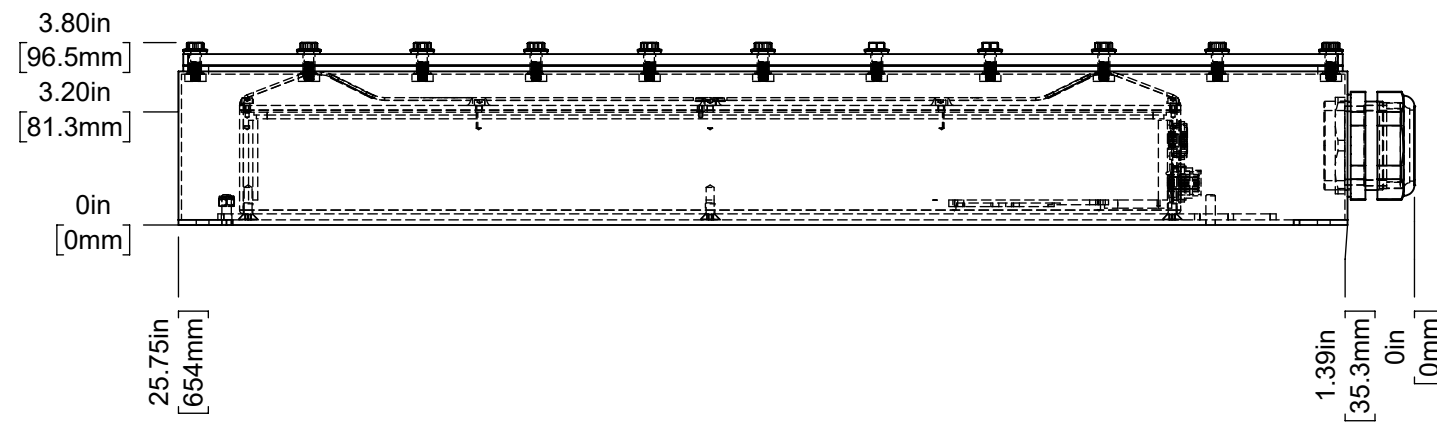
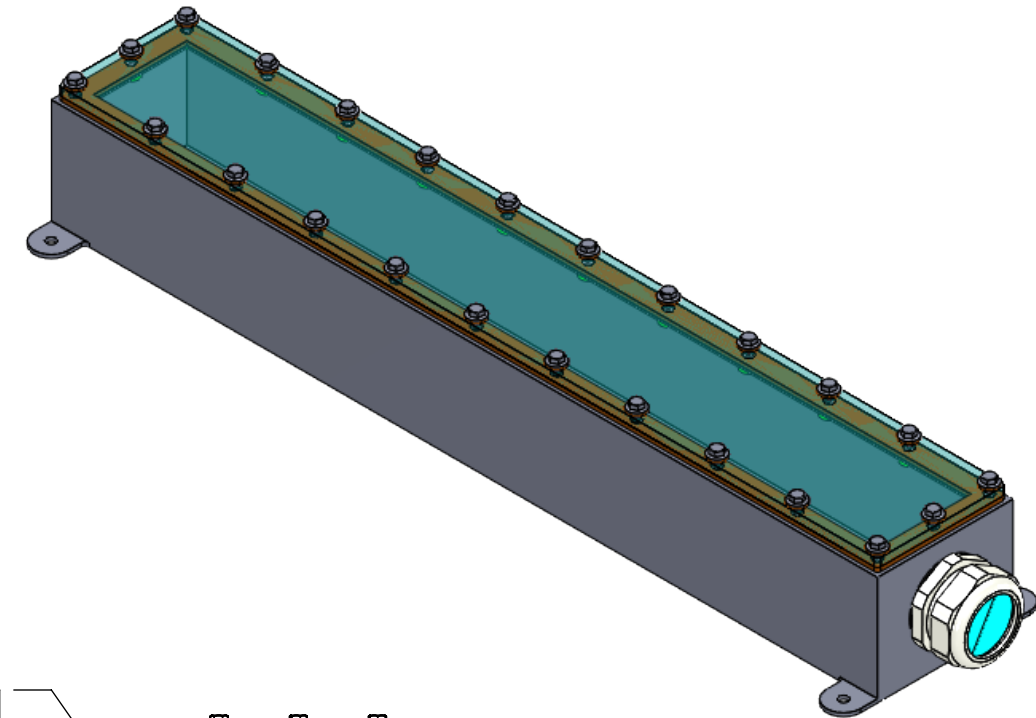
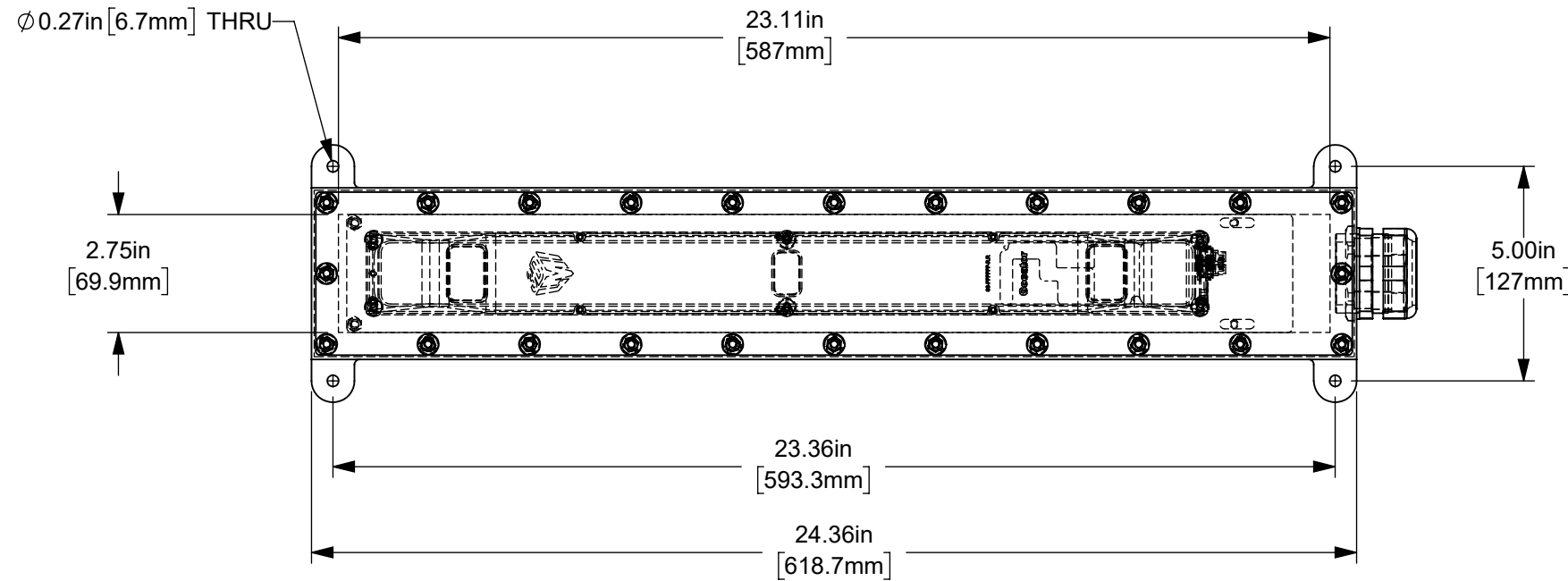
3

2

1

REVISIONS

ZONE	REV.	DESCRIPTION	DATE	APPROVED
	A	RELEASED FOR PRODUCTION	8/13/2020	DMM



PROPERTIES TABLE

ENVIRONMENT RATING	IP68*	
	(*RATING MAY CHANGE IF INSTALLER MILLS CABLE GLAND OUTSIDE OF TOLERANCE)	
COMPONENT	MATERIAL	FINISH
BODY	316 SS	BURNISHED
VIEWPORT	ACRYLIC	ABR2
GASKET	40D SILICONE	NONE
BRACKET	6061 AL	NONE
HARDWARE	316 SS - EXTERNAL, 18-8 SS - INTERNAL	NONE

TOLERANCES UNLESS OTHERWISE SPECIFIED

MACHINING		SHEET METAL	
X.X	0.0250"	HOLE TO HOLE (SAME SURFACE)	
X.XX	0.0100"	X.X	0.030"
X.XXX	0.0050"	X.XX	0.010"
X.XXXX	0.0005"	X.XXX	0.005"
ANGULAR	0.5°	X.XXX	0.015"
DEBURR ALL		HOLE TO FOLDED EDGE	
		X.X	0.035"
		X.XX	0.025"
		X.XXX	0.015"
		FOLD TO FOLD	
		X.X	0.045"
		X.XX	0.035"
		X.XXX	0.020"
		ANGULAR 1.0°	

ALL WEIGHTS ARE IN POUNDS

THIS PRINT IS THE PROPERTY OF ALLISON PARK GROUP. THE INFORMATION CONTAINED HEREIN IS CONFIDENTIAL. IT IS NOT TRANSFERABLE. IT IS FURNISHED WITH THE CLEAR UNDERSTANDING THAT IT IS NOT TO BE TRACED, REPRODUCED OR USED IN ANY PROCESS OF MANUFACTURING WITHOUT WRITTEN PERMISSION FROM THE OWNER AND IS RETURNABLE UPON DEMAND. ANY INFRINGEMENT UPON THE PATENT RIGHTS SHOWN HEREIN, WHETHER IN PART OR WHOLE, WILL BE PROSECUTED.

AS PART OF OUR POLICY OF CONTINUING DEVELOPMENT, ALLISON PARK GROUP RESERVES THE RIGHT TO ALTER SPECIFICATIONS WITHOUT PRIOR NOTICE.

apg Allison Park Group, Inc (APG)
4055 Alpha Drive
Allison Park, PA 15101 USA
Phone +1 (412) 487-8211
apgvision.com

DESCRIPTION: LL-BV-5 ASSEMBLY				
MATERIAL: SEE BOM				
FINISH: SEE BOM				
DRAWN BY: RS	DATE: 8/13/2020	SCALE: 1:4	SHT-SIZE: B	APPROX. WEIGHT
CHECKED BY: DMM	DATE: 8/13/2020	PART NUMBER: LL-BV-5		REVISION A

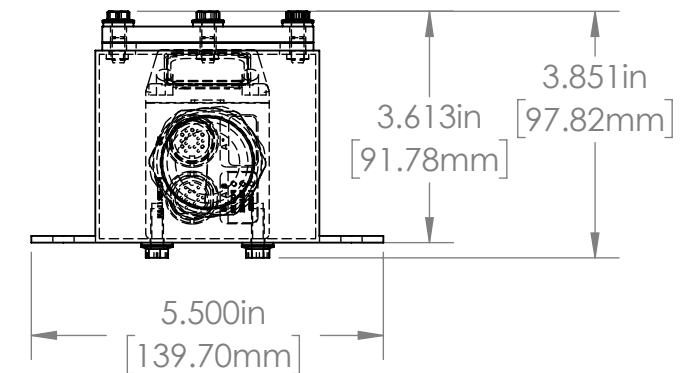
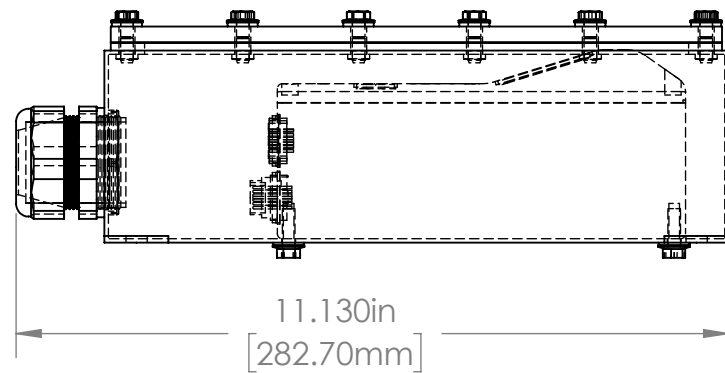
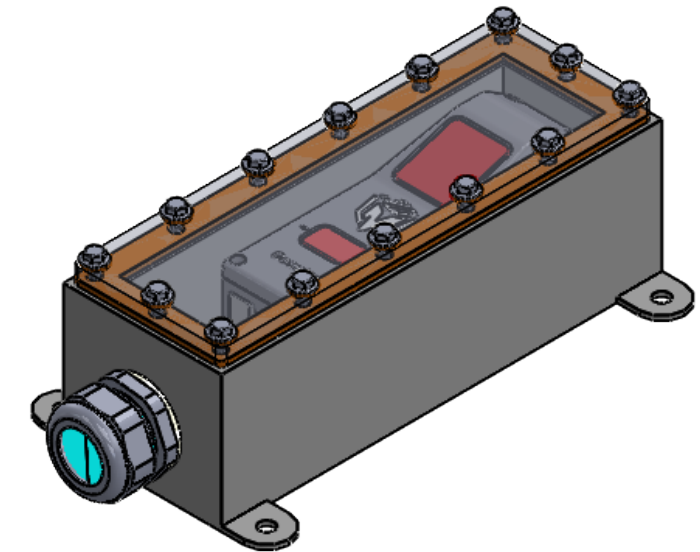
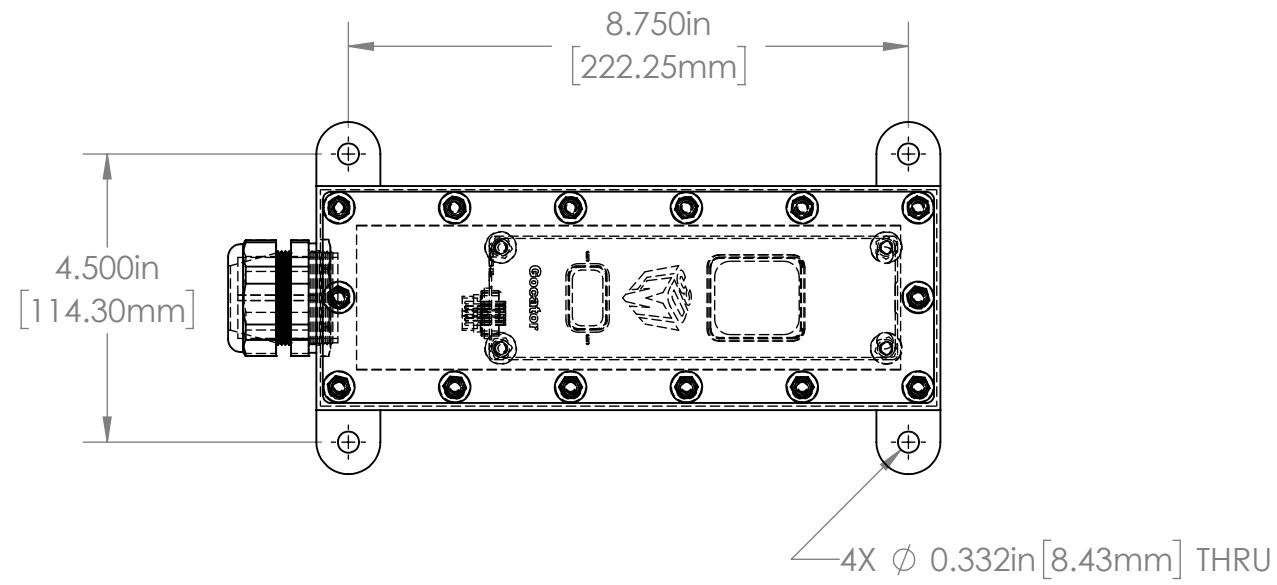
Sheet 1 of 1

4

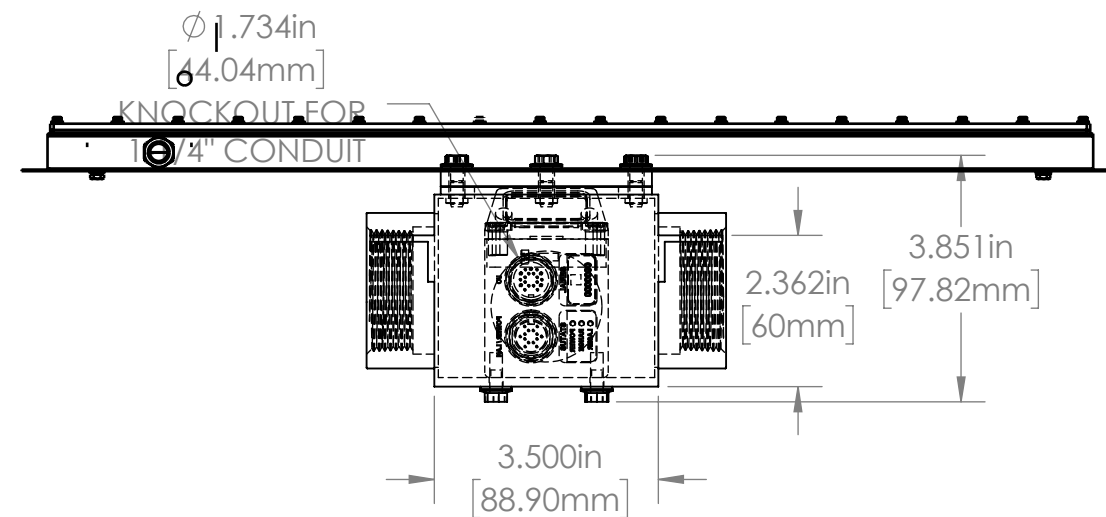
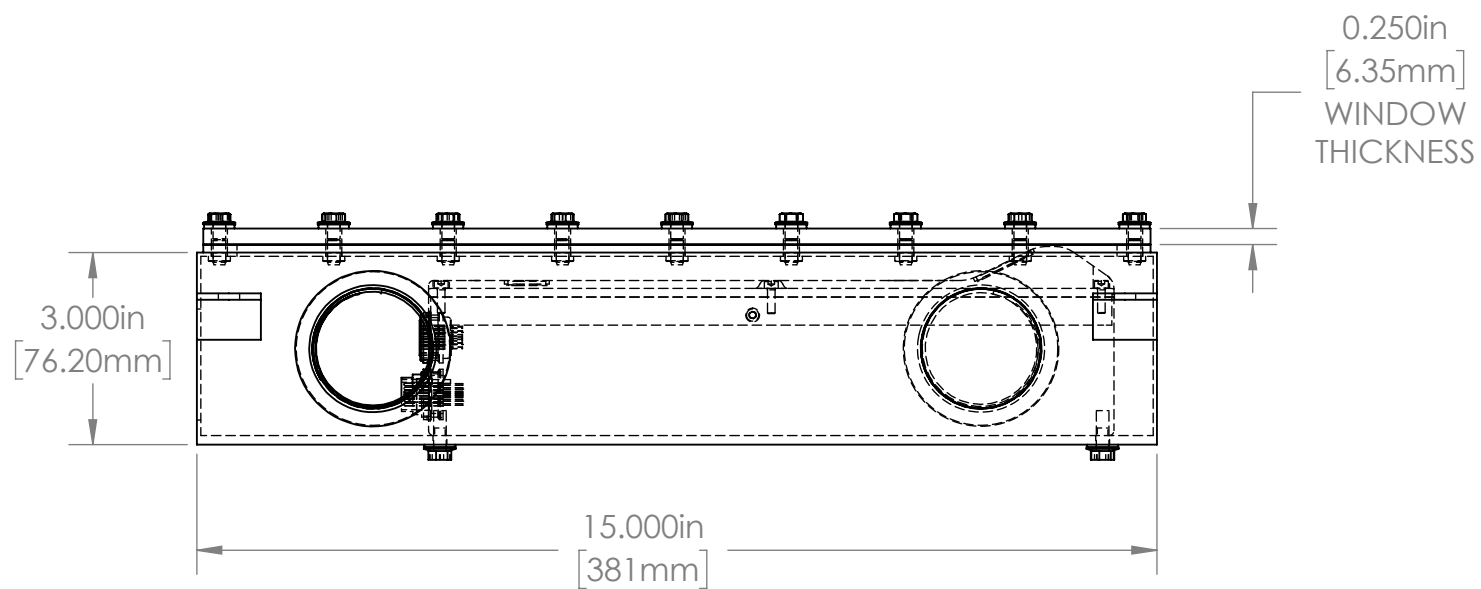
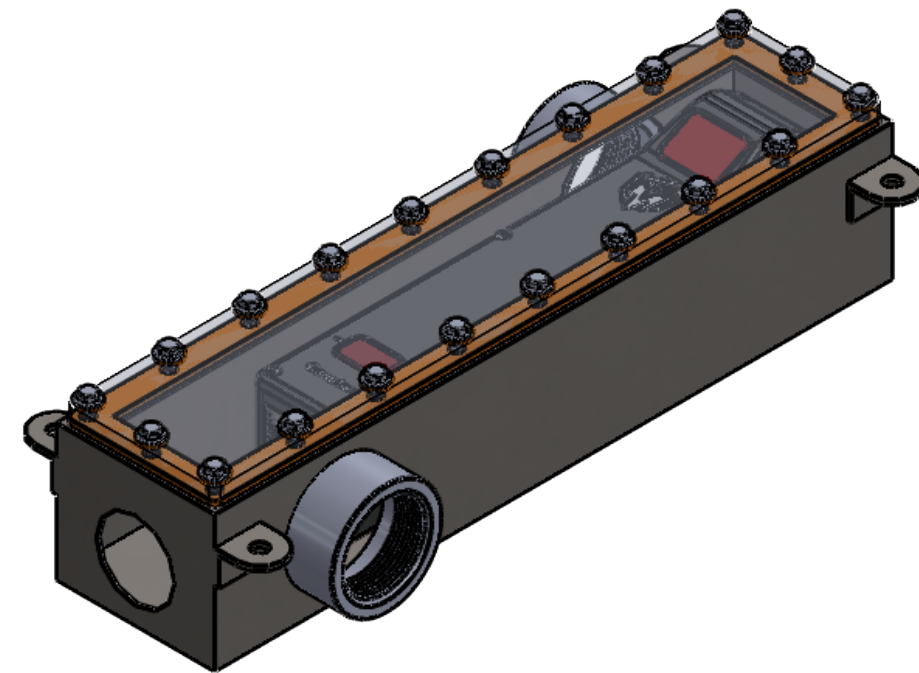
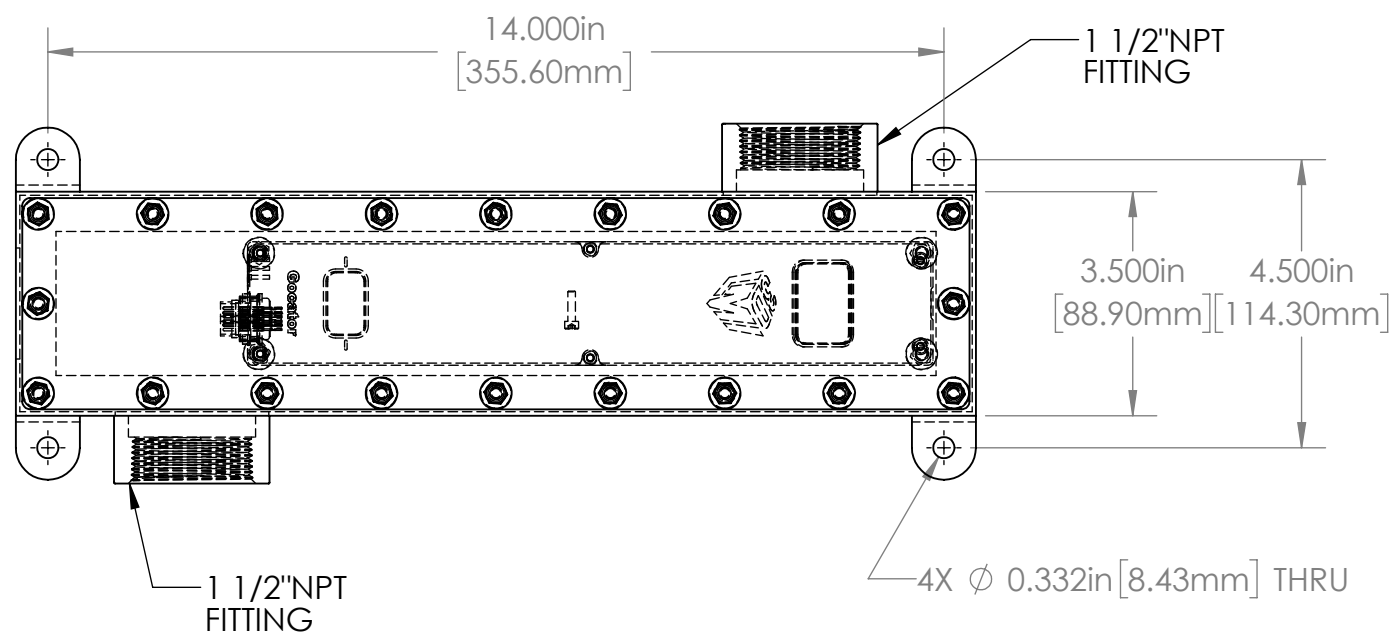
3

2

1



				UNLESS OTHERWISE SPECIFIED: DIMENSIONS ARE IN INCHES SURFACE FINISH: TOLERANCES: .000= +/- 0.005" .00= +/- 0.010"		FINISH: DEBUR AND BREAK SHARP EDGES		Allison Park Group, Inc. (APG) 4055 Alpha Drive Allison Park, PA 15101 USA		DO NOT SCALE DRAWING		REVISION	
				LINEAR:				Phone +1 (412) 487-8211 Fax +1 (412) 486-3157		This document is the property of APG and is considered company confidential. The information in this document is the property of APG and may not be used, reproduced, or distributed in whole or in part without the prior written permission of APG		TITLE: LL-CM (GOCATOR 1140-1340)	
				DRAWN		NAME		www.apgvision.com					
				CHK'D		SIGNATURE		MATERIAL: 316 BODY ACRYLIC WINDOW SILICONE GASKET(S) POLYAMIDE CORD GRIP(S)					
				APPVD		DATE		DWG NO.					
				MFG		5/19/2016		SCALE: 1:5					
				Q.A				WEIGHT:		SHEET 1 OF 1		A3	
				NOTES:									
				NO.		CHANGE		DATE		INIT.			



				UNLESS OTHERWISE SPECIFIED: DIMENSIONS ARE IN INCHES SURFACE FINISH: TOLERANCES: .000= +/- 0.005" .00= +/- 0.010"	FINISH: DEBUR AND BREAK SHARP EDGES	Allison Park Group, Inc. (APG) 4055 Alpha Drive Allison Park, PA 15101 USA Phone +1 (412) 487-8211 Fax +1 (412) 486-3157 www.apgvision.com	DO NOT SCALE DRAWING	REVISION
				LINEAR:			This document is the property of APG and is considered company confidential. The information in this document is the property of APG and may not be used, reproduced, or distributed in whole or in part without the prior written permission of APG.	TITLE:
				DRAWN	NAME	SIGNATURE		DATE
				CHK'D	OLSON		1/3/2017	
				APPV'D				
				MFG				
				Q.A				DWG NO.
				NOTES:				LL-CW
								A3
NO.	CHANGE	DATE	INIT.					SCALE: 1:5
								SHEET 1 OF 1

4

3

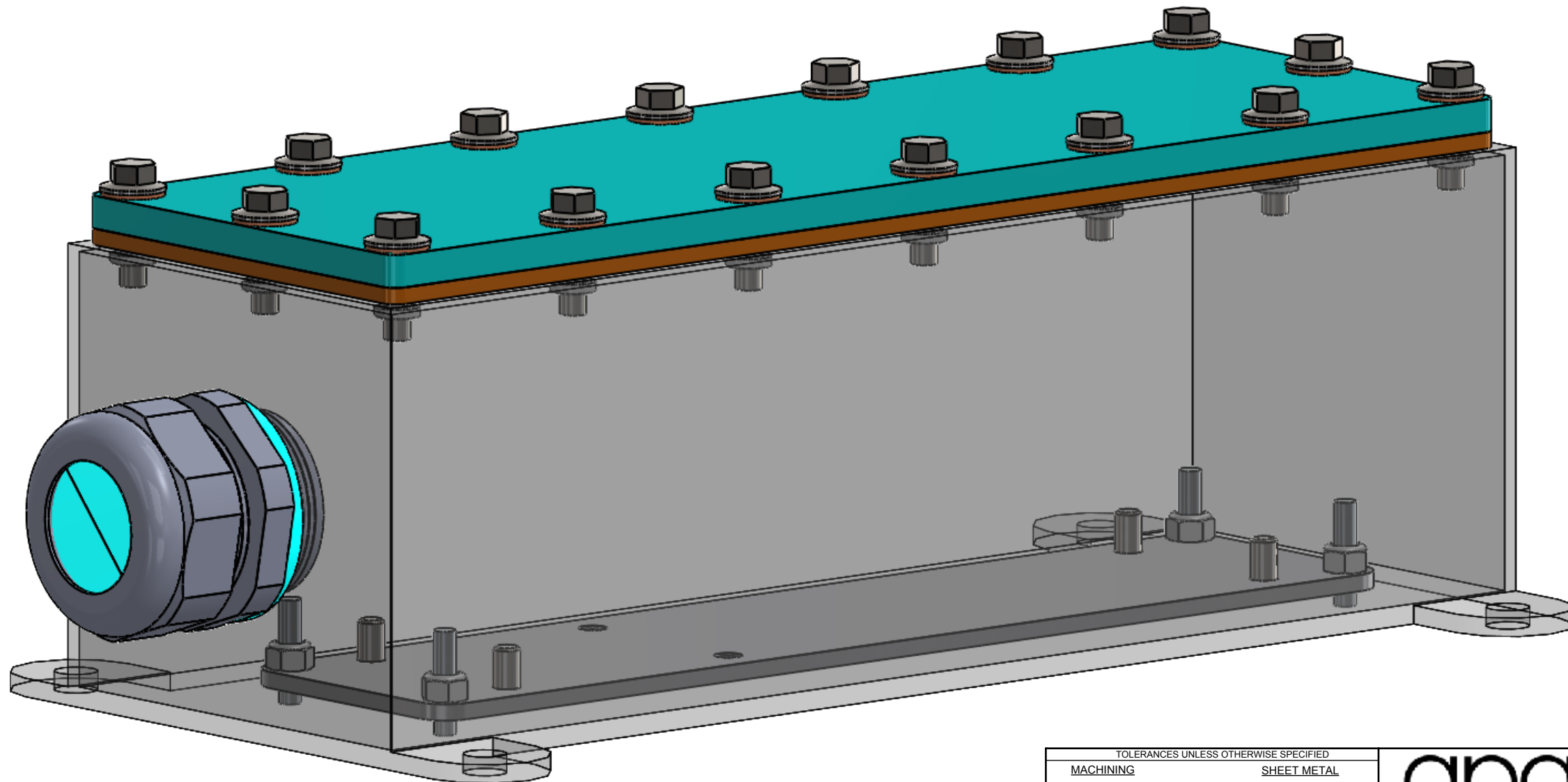
2

1

REVISIONS				
ZONE	REV.	DESCRIPTION	DATE	APPROVED
	A		6/25/2019	

B

B

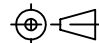


A

A


TOLERANCES UNLESS OTHERWISE SPECIFIED

MACHINING		SHEET METAL	
X.X	0.0250"	HOLE TO HOLE (SAME SURFACE)	
X.XX	0.0100"	X.X	0.030"
X.XXX	0.0050"	X.XX	0.010"
X.XXXX	0.0005"	X.XXX	0.005"
ANGULAR	0.5°	HOLE TO FOLDED EDGE	
DEBURR ALL		X.X	0.035"
		X.XX	0.025"
		X.XXX	0.015"
		FOLD TO FOLD	
		X.X	0.045"
		X.XX	0.035"
		X.XXX	0.020"
		ANGULAR 1.0°	

 ALL WEIGHTS ARE IN POUNDS

THIS PRINT IS THE PROPERTY OF ALLISON PARK GROUP. THE INFORMATION CONTAINED HEREIN IS CONFIDENTIAL. IT IS NOT TRANSFERABLE. IT IS FURNISHED WITH THE CLEAR UNDERSTANDING THAT IT IS NOT TO BE TRACED, REPRODUCED OR USED IN ANY PROCESS OF MANUFACTURING WITHOUT WRITTEN PERMISSION FROM THE OWNER AND IS RETURNABLE UPON DEMAND. ANY INFRINGEMENT UPON THE PATENT RIGHTS SHOWN HEREIN, WHETHER IN PART OR WHOLE, WILL BE PROSECUTED.

AS PART OF OUR POLICY OF CONTINUING DEVELOPMENT, ALLISON PARK GROUP RESERVES THE RIGHT TO ALTER SPECIFICATIONS WITHOUT PRIOR NOTICE.

 Allison Park Group, Inc (APG)
 4055 Alpha Drive
 Allison Park, PA 15101 USA
 Phone +1 (412) 487-8211
 apgvision.com

DESCRIPTION:
ENCLOSURE FOR GOCATOR 2342

MATERIAL: **SEE BOM**

FINISH: **SEE BOM**

DRAWN BY: NW	DATE: 6/25/2019	SCALE: 1:1	SHT-SIZE: B	APPROX. WEIGHT
CHECKED BY:	DATE:	PART NUMBER: LL-CX ASSY		REVISION: C

Sheet 1 of 3

4

3

2

1

4

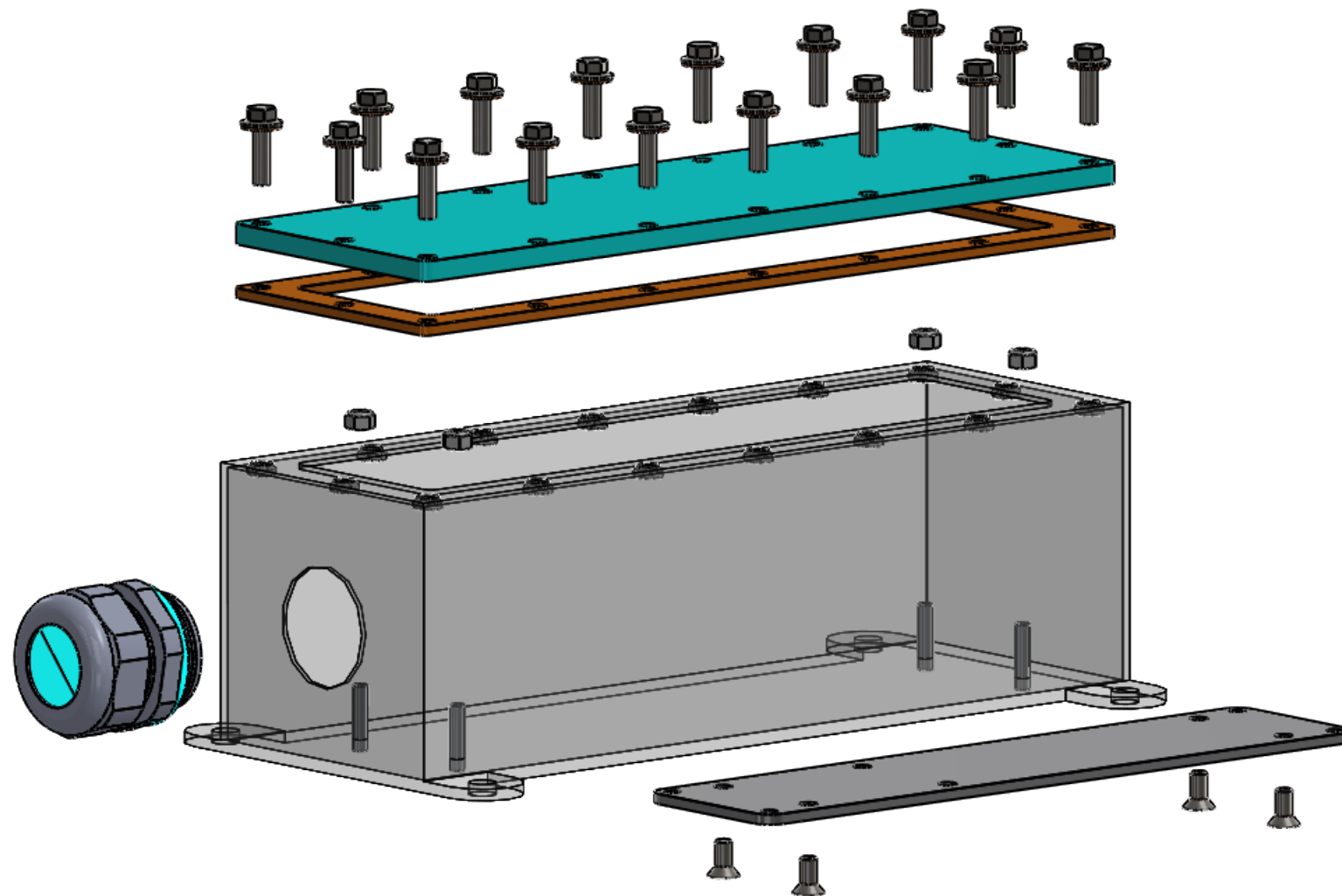
3

2

1

B

B

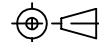


A

A


TOLERANCES UNLESS OTHERWISE SPECIFIED

MACHINING		SHEET METAL	
X.X	0.0250"	HOLE TO HOLE (SAME SURFACE)	
X.XX	0.0100"	X.X	0.030"
X.XXX	0.0050"	X.XX	0.010"
X.XXXX	0.0005"	X.XXX	0.005"
ANGULAR	0.5°	HOLE TO FOLDED EDGE	
DEBURR ALL		X.X	0.035"
		X.XX	0.025"
		X.XXX	0.015"
		FOLD TO FOLD	
		X.X	0.045"
		X.XX	0.035"
		X.XXX	0.020"
		ANGULAR 1.0°	

 ALL WEIGHTS ARE IN POUNDS

THIS PRINT IS THE PROPERTY OF ALLISON PARK GROUP. THE INFORMATION CONTAINED HEREIN IS CONFIDENTIAL. IT IS NOT TRANSFERABLE. IT IS FURNISHED WITH THE CLEAR UNDERSTANDING THAT IT IS NOT TO BE TRACED, REPRODUCED OR USED IN ANY PROCESS OF MANUFACTURING WITHOUT WRITTEN PERMISSION FROM THE OWNER AND IS RETURNABLE UPON DEMAND. ANY INFRINGEMENT UPON THE PATENT RIGHTS SHOWN HEREIN, WHETHER IN PART OR WHOLE, WILL BE PROSECUTED.

AS PART OF OUR POLICY OF CONTINUING DEVELOPMENT, ALLISON PARK GROUP RESERVES THE RIGHT TO ALTER SPECIFICATIONS WITHOUT PRIOR NOTICE.

 Allison Park Group, Inc (APG)
 4055 Alpha Drive
 Allison Park, PA 15101 USA
 Phone +1 (412) 487-8211
 apgvision.com

DESCRIPTION: ENCLOSURE FOR GOCATOR 2342

MATERIAL: SEE BOM

FINISH: SEE BOM

DRAWN BY: NW	DATE: 6/25/2019	SCALE: 1:2	SHT-SIZE: B	APPROX. WEIGHT:
--------------	-----------------	------------	-------------	-----------------

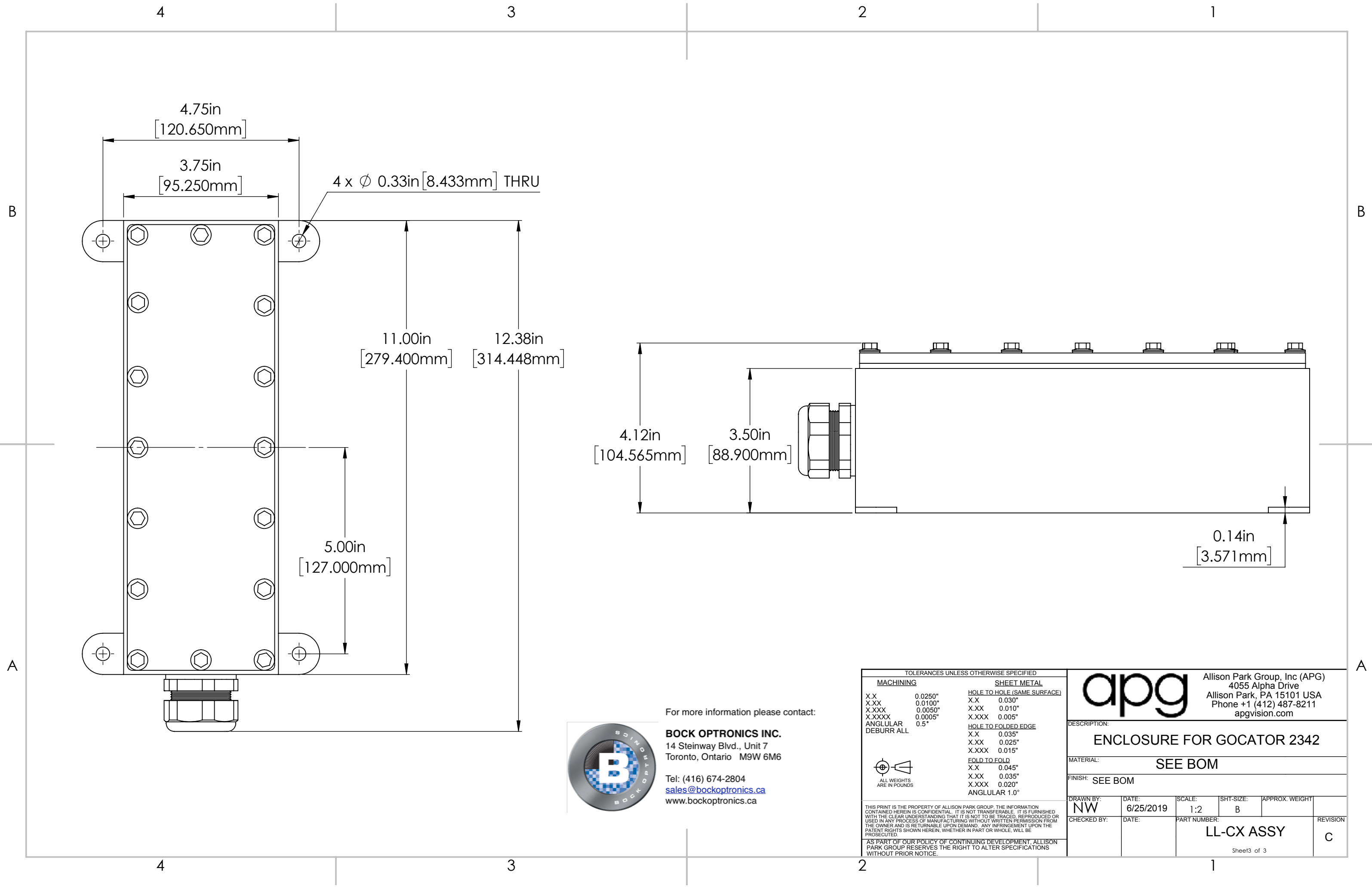
CHECKED BY:	DATE:	PART NUMBER: LL-CX ASSY	REVISION: C
-------------	-------	-------------------------	-------------

4

3

2

1



For more information please contact:

BOCK OPTRONICS INC.
 14 Steinway Blvd., Unit 7
 Toronto, Ontario M9W 6M6

Tel: (416) 674-2804
sales@bockoptronics.ca
www.bockoptronics.ca

TOLERANCES UNLESS OTHERWISE SPECIFIED			
MACHINING		SHEET METAL	
X.X	0.0250"	HOLE TO HOLE (SAME SURFACE)	
X.XX	0.0100"	X.X	0.030"
X.XXX	0.0050"	X.XX	0.010"
X.XXXX	0.0005"	X.XXX	0.005"
ANGULAR	0.5°	X.XXX	0.015"
DEBURR ALL		HOLE TO FOLDED EDGE	
		X.X	0.035"
		X.XX	0.025"
		X.XXX	0.015"
		FOLD TO FOLD	
		X.X	0.045"
		X.XX	0.035"
		X.XXX	0.020"
		ANGULAR 1.0°	

THIS PRINT IS THE PROPERTY OF ALLISON PARK GROUP. THE INFORMATION CONTAINED HEREIN IS CONFIDENTIAL. IT IS NOT TRANSFERABLE. IT IS FURNISHED WITH THE CLEAR UNDERSTANDING THAT IT IS NOT TO BE TRACED, REPRODUCED OR USED IN ANY PROCESS OF MANUFACTURING WITHOUT WRITTEN PERMISSION FROM THE OWNER AND IS RETURNABLE UPON DEMAND. ANY INFRINGEMENT UPON THE PATENT RIGHTS SHOWN HEREIN, WHETHER IN PART OR WHOLE, WILL BE PROSECUTED.

AS PART OF OUR POLICY OF CONTINUING DEVELOPMENT, ALLISON PARK GROUP RESERVES THE RIGHT TO ALTER SPECIFICATIONS WITHOUT PRIOR NOTICE.

apg Allison Park Group, Inc (APG)
 4055 Alpha Drive
 Allison Park, PA 15101 USA
 Phone +1 (412) 487-8211
apgvision.com

DESCRIPTION:
ENCLOSURE FOR GOCATOR 2342

MATERIAL: **SEE BOM**

FINISH: **SEE BOM**

DRAWN BY: NW	DATE: 6/25/2019	SCALE: 1:2	SHT-SIZE: B	APPROX. WEIGHT
CHECKED BY:	DATE:	PART NUMBER: LL-CX ASSY	REVISION: C	