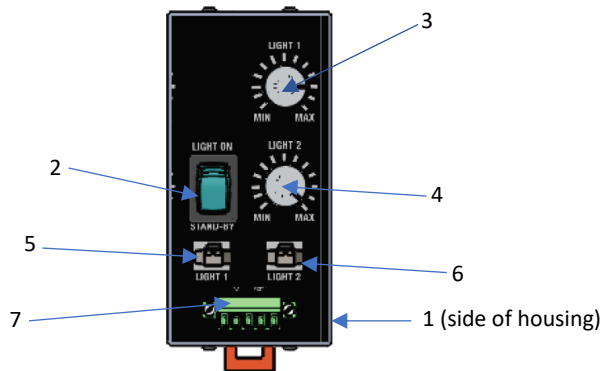


**LC2-PWM20**



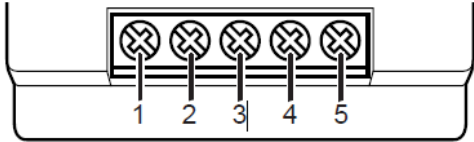
The LC2-PWM20 is a dual channel, pulsewidth modulated LED intensity controller. It outputs 12V PWM from 0-100% at 100kHz to drive LED loads with series limiting resistors. The maximum output is 20W per channel and 30W combined for two channels. Power is limited by the 24V power supply.

**LC2-PWM20 Functions / Controls**



1	Power Limiter Switch (default setting is NORM) <ul style="list-style-type: none"> <li>• <b>NORM</b> – Limits light adjustment range to 0 to 60% to protect LED element. Always use the NORM setting when operating the device with continuous lighting by pushing the switch away from the face panel.</li> <li>• <b>FULL</b> – Allows an intensity adjustment range of 0 to 100% by pulling the switch towards the face panel.</li> </ul>
2	Standby Switch
3	Channel 1 intensity adjustment
4	Channel 2 intensity adjustment
5	Channel 1 output connector
6	Channel 2 output connector
7	Input Terminals

• Input Terminals

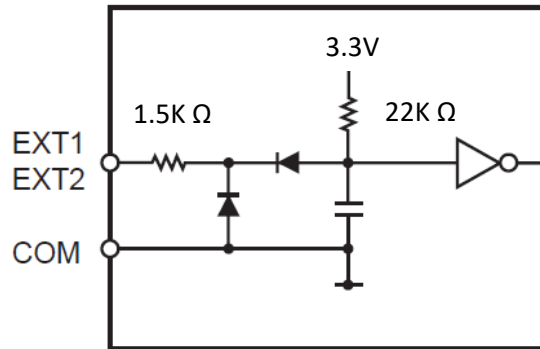


Compatible cables: AWG #14 to #22

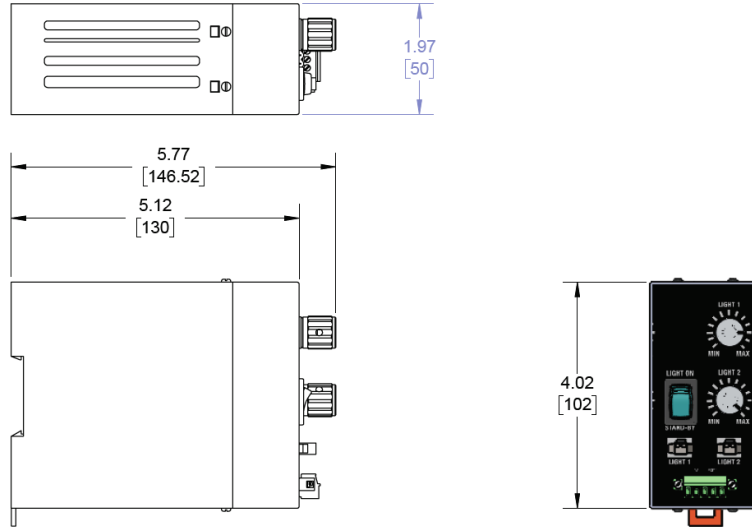
Terminal	Label	Description / Note
1	24 VDC	Power supply should be limited to 1.8A max
2	0V	Power Supply 24V RTN
3	COM	External control Common terminal
4	EXT 1	External control input channel 1 (0-24V) • Deactivates channel 1 when shorted to COM
5	EXT 2	External control input channel 2 (0-24V) • Deactivates channel 2 when shorted to COM

• Circuit Diagram

Input Terminals: EXT1, EXT2
Disable Output: 1.0V and less
Enable Output: 1.25V and higher or float



**Dimensions**



**Specifications**

LC2-PWM20		
<b>OUTPUT</b>	Intensity Control	Pulse Width Modulation @ 100kHz
	Connections	2 channels
	Voltage	12VDC PWM (not constant-current)
	Max LED Load	20W per channel, 30W combined total
<b>INPUT</b>	Power Supply	24VDC ±10% limited to 1.8A to protect Controller and LED load
<b>ENVIRONMENTAL CONDITIONS</b>	Temperature	0 to 45°C
	Humidity	0 to 85% RH (non-condensing)
	Weight	210 grams

For more information please contact:



**BOCK OPTRONICS INC.**  
 14 Steinway Blvd., Unit 7  
 Toronto, Ontario M9W 6M6  
 Tel: (416) 674-2804  
[sales@bockoptronics.ca](mailto:sales@bockoptronics.ca)  
[www.bockoptronics.ca](http://www.bockoptronics.ca)