

**LRS725**

Designed to replace high power xenon strobes, this affordable LED strobe light can project a beam of light to over 150 feet to illuminate a small target. The Law Enforcement Light features a weather proof enclosure. Strobe pulse widths are adjustable from 2µs to 250µs with pulse rates up to 50kHz. Strobe controls include intensity, strobe rate, trigger delay etc. Integrated mounting hardware is included to assist with installation in virtually any environment.



The Law Enforcement Light can be triggered remotely via a camera’s strobe output signal. Our thermal management technology assures an ultra-fast recharge to allow the strobe to fire at rates up to 50kHz for high-speed digital photography or video use. The Law Enforcement Light is available in **Narrow** beam, suitable for monitoring one traffic lane at 100 feet or **Wide** beam, suitable for monitoring four traffic lanes at 40 feet. Custom beam widths are available.

Applications
• Law Enforcement
• Automatic Number Plate Recognition
• Stop Motion Video
• High Speed Photography
• Night Vision Surveillance

Available Wavelengths		
Color	Code	Wavelength
Red	R	630nm
Green	G	530nm
Blue	B	470nm
Infrared	IR850	850nm
White	W	6000K (nominal)

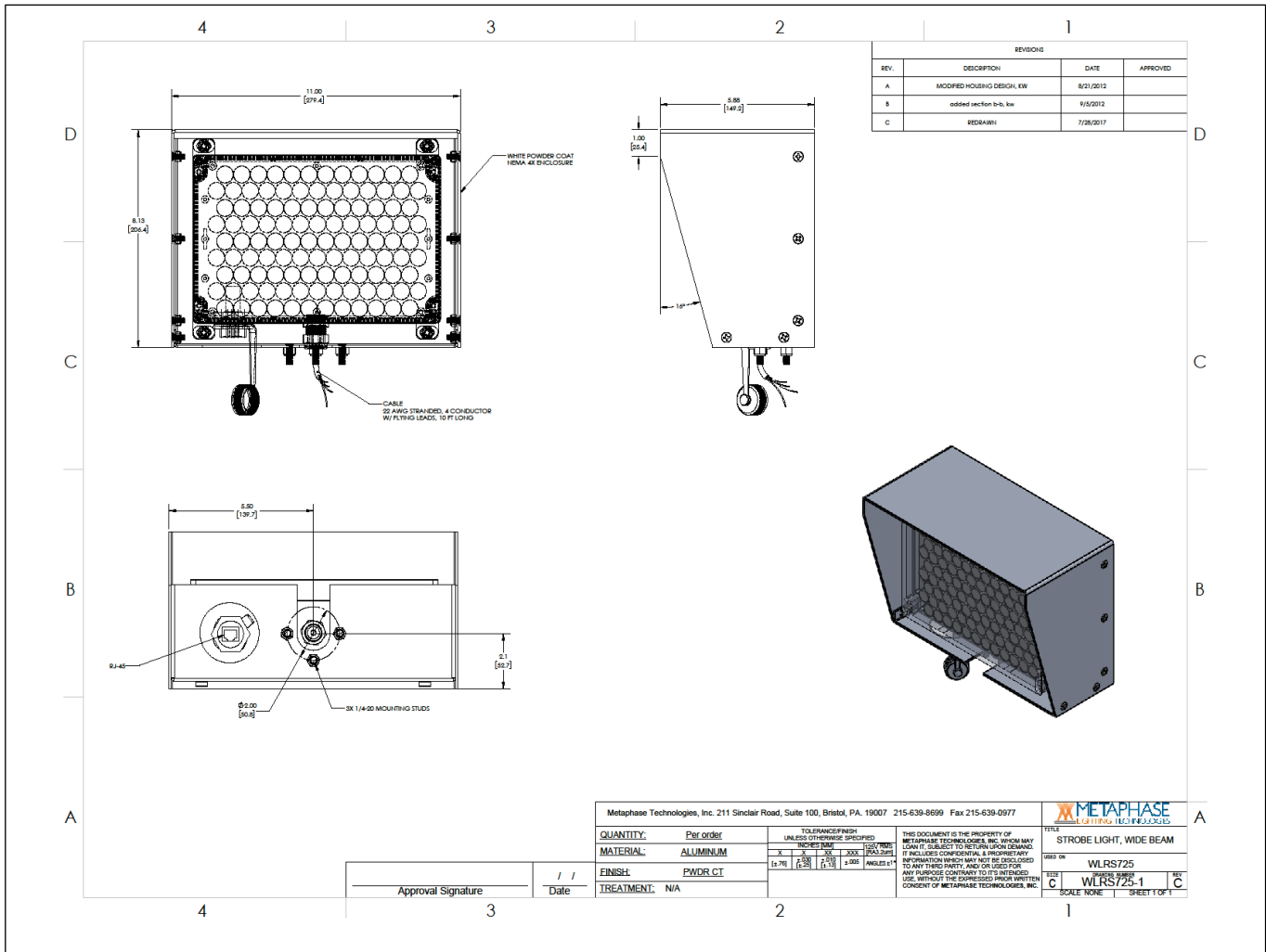
LRS725 Wire Assignment		
Wire Color	Function	Notes
Red	24VDC	4 conductor Cable with flying leads
White	TRIGGER IN (+)	
Black	TRIGGER IN (-)	
Green	Ground (24V RTN)	

**LRS725**

PART NUMBER KEY									
MODEL	SIZE	-	WAVELENGTH	-	DRIVER	-	LENS	-	CABLE LENGTH
LRS	XXX	-	XXXXXX	-	XX	-	XXX	-	XXX
<b>LRS</b>	<b>725</b>		<b>W</b> (White 6000K, Nominal) <b>R</b> (Red 630nm) <b>G</b> (Green 530nm) <b>B</b> (Blue 470nm) <b>IR850</b> (Infrared 850nm)		<b>24</b>		<b>L12</b> (Narrow, 12°) <b>L28</b> (Wide, 28°)  Select one		<b>5M</b> <b>10M</b>  Length can be customized: ex.7M=7meters  Select or leave blank for 3 meters
Example 1: <b>LRS725-W-24-L12</b>			Example 2: <b>LRS725-IR850-24-L28-5M</b>						

### LRS725

Sample Part Number: **LRS725-W-24-L12**



**SPECIFICATIONS**

**General**

Supply Voltage	24VDC ±10%, 6 amp switching power supply recommended
Trigger Input:	
Optically Isolated	Yes
Voltage	3V to 24V
Current	7mA typical, 10mA max
Rate	50kHz maximum
Pulsewidth	2us minimum, 250µs maximum
Edge/Polarity	Rising or Falling Edge (Strobe Mode) High or Low Level On (DC Current Mode)
Ethernet Control:	UDP messaging listening on port 5000 for any incoming source port
IP Address	User selectable. Defaults to 172.16.1.1
Operating Modes	Strobe (Pulse), DC Current, DC Voltage
ROHS Compliance	Yes
Expected Lifetime	75,000 hours
Mounting	Pelco style swivel base
Operating Temperature	-34°C to 48.8°C (-29°F to 120°F)
Operating Humidity	0% to 85% RH non-condensing
IP Rating	IP66 (NEMA 4X enclosure)
Weight	6.8 pounds (3.08kg)

**COMPLIANCE**



**CONTACT US**

For more information please contact:



**BOCK OPTRONICS INC.**  
14 Steinway Blvd., Unit 7  
Toronto, Ontario M9W 6M6

Tel: (416) 674-2804  
[sales@bockoptronics.ca](mailto:sales@bockoptronics.ca)  
[www.bockoptronics.ca](http://www.bockoptronics.ca)