

Flood Lights

MB-FLD

This economical multi-watt LED front light is designed for flooding large areas and mimics the diffused output of a screw base PAR38 halogen flood light. Working distances can vary from 6 to 18 feet or more depending on the amount of light needed. This flood light is extremely bright and emits white light at 600,000 Lux. Features include a unitized alloy body thermally potted for longevity.



FEATURES

- High power flood light
- Rugged design
- LED thermal management for stable performance
- Strobe and dimming options available
- Flicker free performance and instant start up with Metaphase analog driver technology
- Ideal for motion/sports analysis and other large area illumination applications
- Optional Constant Current Driver with 0 – 10VDC intensity control, compatible with DDC-3 and ILD-35

WAVELENGTHS

Order ID	Description / nanometers
W	White (6000K), Nominal
R	Red / 630nm
G	Green / 530nm
B	Blue / 470nm
IR850	Infrared / 850nm
IR880	Infrared / 880nm
IR940	Infrared / 940nm
UV365	Ultraviolet Short / 365nm
UV395	Ultraviolet Long / 395nm
RGB	Red-Green-Blue

GENERAL SPECIFICATIONS

Power Source:	24VDC ±5%
Cable (Standard):	10-foot cable with flying leads
Housing:	Black Anodized Aluminum
Ambient Temp:	-20°C to 40°C
Lifetime Expectancy:	75,000 hours (except UV)

Flood Lights

MB-FLD

FLOOD LIGHTS							
MODEL	All models: H = 2.82 inches (7.2cm) Overall Width and Length Inches (cm)	Active Area Inches (cm)	Weight lbs / kg	Cable QTY	Cable Length	Cable Description	Maximum Input Current @24VDC
MB-FLD406	3.75 x 8.28 (9.52 x 21.0)	2.88 x 6.78 (7.30 x 17.2)	2.8 / 1.28	1	10ft	18 AWG 4 Conductor	1.3 amps
MB-FLD806	3.75 x 15.06 (9.52 x 38.25)	2.88 x 13.56 (7.30 x 34.44)	5.2 / 2.34				2.8 amps

Wiring (4 conductors, flying leads)**	
Wire Color	Function
RED	+24VDC
WHITE	0-10VDC INTENSITY CONTROL
BLACK	GROUND (24V RTN)
GREEN	SIGNAL GROUND

Wiring (4 conductors, without Intensity Control)	
Wire Color	Function
RED	+24VDC
WHITE	+24VDC
BLACK	GROUND (24V RTN)
GREEN	GROUND (24V RTN)

M12 (5 position male)**	
Pin #	Function
1	+24VDC
2	0-10VDC Intensity Control
3	GROUND (24V RTN)
4	SIGNAL GROUND
5	No Connection

The M12 connector option is not recommended for lights rated more than 4 amps

Wiring with ULC-2	
Wire Color	Function
RED, WHITE (+)	LED INPUT
BLACK, GREEN (-)	

Terminated within a 2 position ULC-2 output connector (Phoenix Contact P/N: BCP-508-2)

**Note: The 0-10VDC Intensity Control input can accept voltages from 0-24VDC where the light will operate at full intensity in the 10-24VDC range. The light is proportionally dimmer for any Intensity Control voltage less than 10VDC and the light is OFF at approximately 0V or not connected (floating).

MB-FLD

PART NUMBER KEY													
MODEL	SIZE	-	WAVELENGTH	-	DRIVER* (most common)	-	LENS	-	DIFFUSER	-	CABLE LENGTH	-	CONN.** (most Common)
MB-FLD	XXX	-	XXXXX	-	XXXXX	-	XXX	-	XX	-	XXX	-	XXXX
MB-FLD	406 (6.5") 806 (13.0")		W (White 6000K, Nominal) R (Red 630nm) G (Green 530nm) B (Blue 470nm) IR850 (Infrared 850nm) IR880 (Infrared 880nm) IR940 (Infrared 940nm) UV365 (UV Short 365nm) UV395 (UV Long 395nm) RGB		24Z 24Z-TRG 24-ILD U ¹		L11 (11°) Select or leave blank for 30° lens		CC (Clear Cover) D2 (Single Matte) D3 (TIR/SLK) D4 (Milky White) D5 (Double Matte)		5M 10M Length can be customized: ex.7M=7meters Select or leave blank for 3 meters		M12D ² BC ³ Select or leave blank for flying leads
Example 1: MB-FLD406-W-24Z-CC Example 2: MB-FLD806-W-24-ILD-CC-5M								¹ Not available in lights exceeding 4A input current ² Default cable length for an M12D connector is 19 inches ³ Default cable length for a Barrel Connector is 10 feet					

Contact Metaphase Technologies or your local representative for options such as custom diffusers, lenses, polarizers, IP-rated enclosures for harsh environments, higher intensity, custom wavelengths, higher uniformity, etc. Not all options are available for all lights.

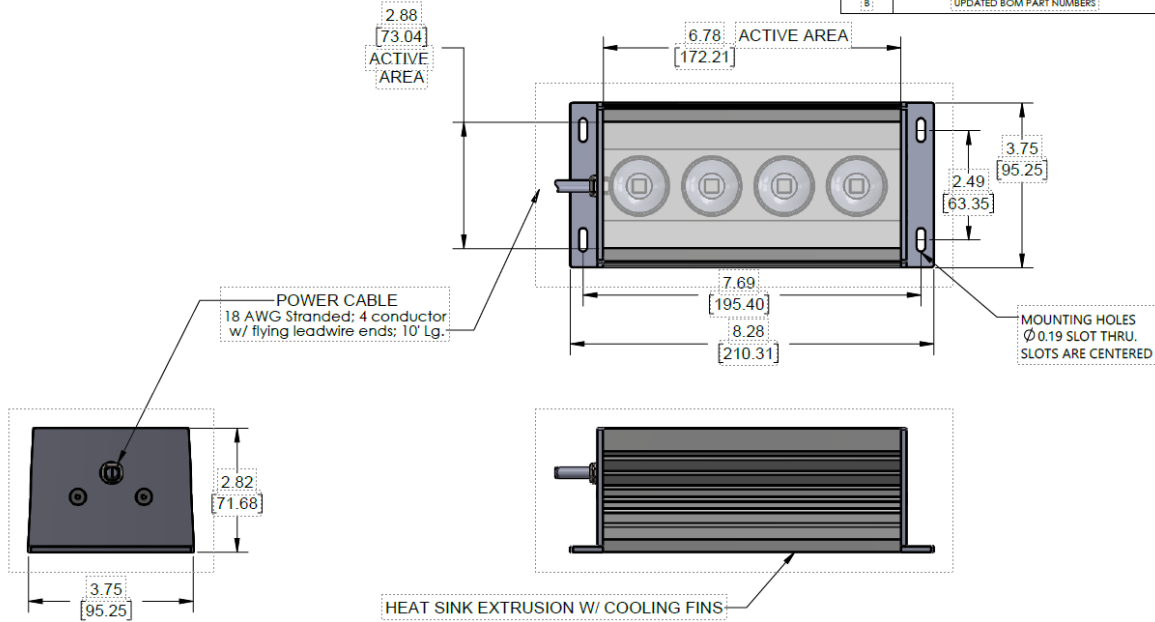
*(Link to Driver Options Key)

***(Link to Connector Key)

MB-FLD

Sample Model Number: **MB-FLD406-W-24Z**

REVISIONS			
REV.	DESCRIPTION	DATE	APPROVED
A	INITIAL RELEASE	7/15/2016	
B	UPDATED BOM PART NUMBERS	6/13/2019	



COMPLIANCE



CONTACT US

For more information please contact:

BOCK OPTRONICS INC.
14 Steinway Blvd., Unit 7
Toronto, Ontario M9W 6M6

Tel: (416) 674-2804
sales@bockoptronics.ca
www.bockoptronics.ca

