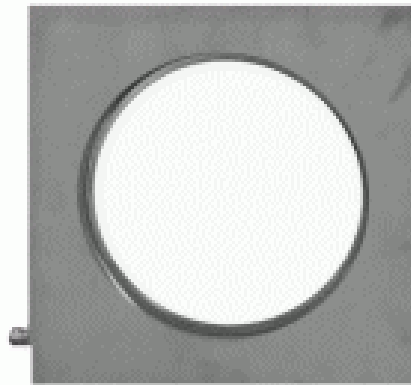


MT-OARL

Off-Axis Ring Lights provide a low angle plane of light which is useful for highlighting surface defects, illuminating specular surfaces, and side-lighting prominent target features.

Dark field illumination provides high contrast lighting for detecting stress, defects, fingerprints, edges, dust etc. When the dark field light is placed above an object, intense light will appear at the edges and imperfections will be accentuated in a high-contrast manner.



FEATURES

- High Intensity, low angle of light
- Thermal management affords cost effective design
- Very high intensity with $\pm 5\%$ uniformity
- High Density Precision Chip Technology (HDPCT)
- Custom sizes and configurations available
- Optional Constant Current Driver with 0 – 10VDC intensity control, compatible with DDC-3 and ILD-35 Dimmers
- Flicker free performance and instant start up with Metaphase analog driver technology

WAVELENGTHS

Order ID	Description / nanometers
W	White (6000K), Nominal
R	Red / 630nm
G	Green / 530nm
B	Blue / 470nm
IR880	Infrared / 880nm
UV395	Ultraviolet Long / 395nm

GENERAL SPECIFICATIONS

Power Source:	24VDC $\pm 5\%$
Cable (Standard):	10-foot cable with flying leads
Housing:	Stainless Steel
Ambient Temp:	-20°C to 40°C
Lifetime Expectancy:	75,000 hours (except UV)

MT-OARL

Washdown Off-Axis Ring Light (Single Ring)									
MODEL	Outside Dimensions Inches (cm)	Height Inches (cm)	Active Area, Inside Diameter Inches (cm)	Weight lbs (kg)	Standard Cable(s)			Maximum Current (Amps)	
					Quantity	Length	AWG/ Conductors	Visible	IR, UVL
MT-OARL401 (Stainless-Steel)	11.5 x 11.5 (29.2 x 29.2)	.70 (1.79)	8.0 (20.3)	8.0 (3.63)	1	10ft	18/4	.45	.87

Wiring (4 conductors, flying leads)**	
Wire Color	Function
RED	+24VDC
WHITE	0-10VDC INTENSITY CONTROL
BLACK	GROUND (24V RTN)
GREEN	SIGNAL GROUND

Wiring (4 conductors, without Intensity Control)	
Wire Color	Function
RED	+24VDC
WHITE	+24VDC
BLACK	GROUND (24V RTN)
GREEN	GROUND (24V RTN)

M12 (5 position male)**	
Pin #	Function
1	+24VDC
2	0-10VDC Intensity Control
3	GROUND (24V RTN)
4	SIGNAL GROUND
5	No Connection

The M12 connector option is not recommended for lights rated more than 4 amps

Wiring with ULC-2	
Wire Color	Function
RED, WHITE (+)	LED INPUT
BLACK, GREEN (-)	

Terminated within a 2 position ULC-2 output connector
(Phoenix Contact P/N: BCP-508-2)

**Note: The 0-10VDC Intensity Control input can accept voltages from 0-24VDC where the light will operate at full intensity in the 10-24VDC range. The light is proportionally dimmer for any Intensity Control voltage less than 10VDC and the light is OFF at approximately 0V or not connected (floating).

MT-OARL

PART NUMBER KEY														
MODEL	LENGTH ID (inches)	-	WAVELENGTH	-	DRIVER* (most common)	-	DIFFUSER	-	HOUSING	-	CABLE LENGTH	-	CONN.** (most Common)	
MT-OARL	XXX	-	XXXXX	-	XXX-XXXXXX	-	XX	-	XX	-	XXX	-	XXXX	
MT-OARL	401		W (White 6000K, Nominal) R (Red 630nm) G (Green 530nm) B (Blue 470nm) IR880 (Infrared 880nm) UV395 (UV Long 395nm)		24CV 24Z 24Z-TRG 24-ILSXXX 24-ILD U¹ 24NZ		ND (No Diffuser) D1 (Lenticular) D6 (1x30)		SS (Stainless-Steel)		5M 10M		M12D^{1 2} BC^{1 3}	
Example 1: MT-OARL401-R-24CV-D1-SS										¹ Not available in lights exceeding 4A input current				
Example 2: MT-OARL401-UV395-24Z-ND-SS-5M-BC										² Default cable length for an M12D connector is 19 inches				
										³ Default cable length for a Barrel Connector is 10 feet				

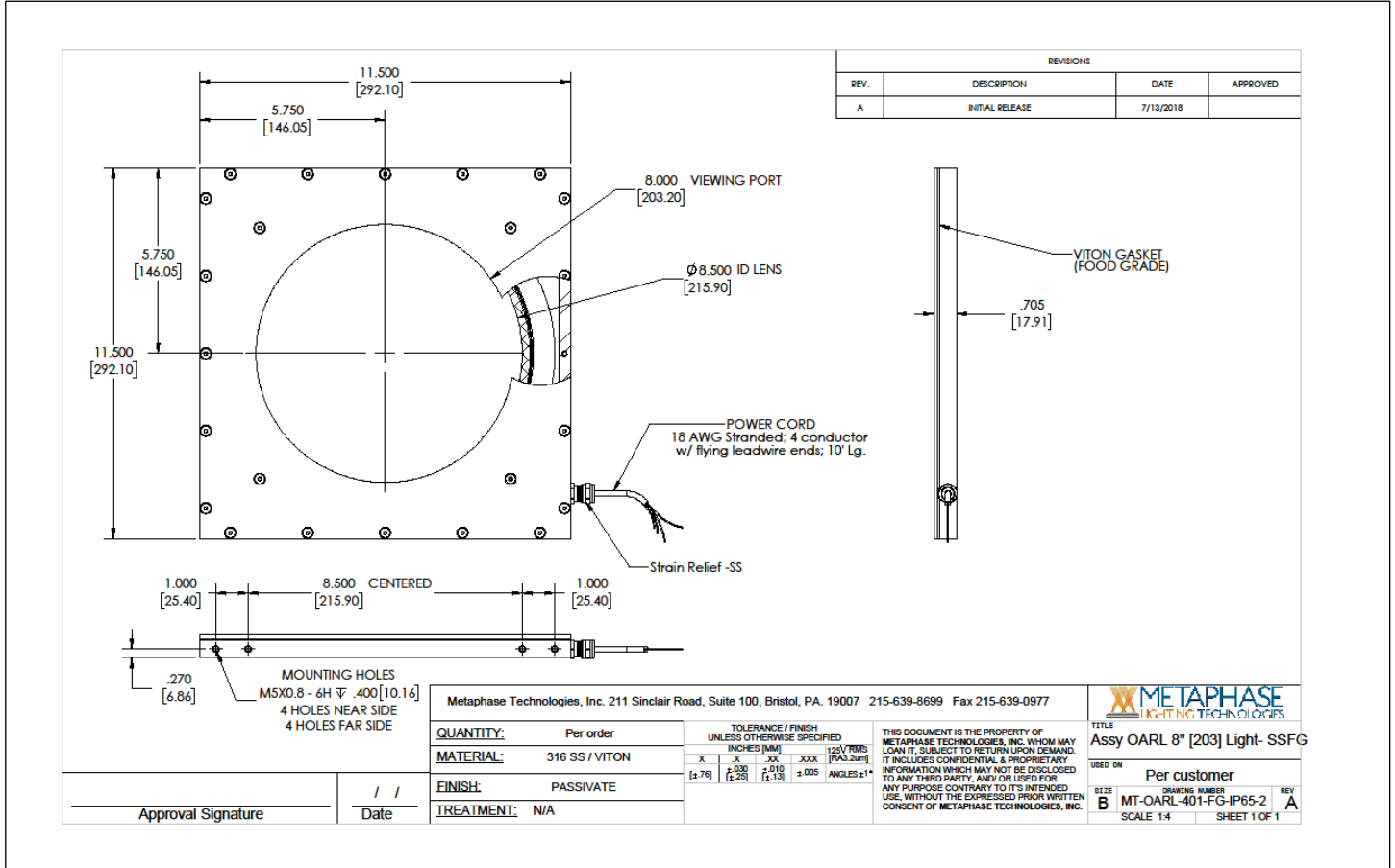
Contact Metaphase Technologies or your local representative for options such as custom diffusers, lenses, polarizers, IP-rated enclosures for harsh environments, higher intensity, custom wavelengths, higher uniformity, etc. Not all options are available for all lights.

*(Link to Driver Options Key)

***(Link to Connector Key)

MT-OARL

Sample Model Number: **MT-OARL401-R-24CV-D1-SS**



COMPLIANCE



CONTACT US

For more information please contact:

BOCK OPTRONICS INC.
14 Steinway Blvd., Unit 7
Toronto, Ontario M9W 6M6

Tel: (416) 674-2804
sales@bockoptronics.ca
www.bockoptronics.ca

