

MY125M Lens Ultra wide - Multi Megapixel - No Distortion



- ❖ **Ultra wide** field of view sees the complete image while the operator can digitally pan-tilt-zoom (dPTZ)
- ❖ Patented Linear Optical Technology™ enables a rectilinear lens with very **low distortion** for maximum resolution
- ❖ Supports **multi megapixel** resolution cameras for demanding applications
- ❖ **Pan focus** keeps near and far objects continuously in focus without lens adjustment

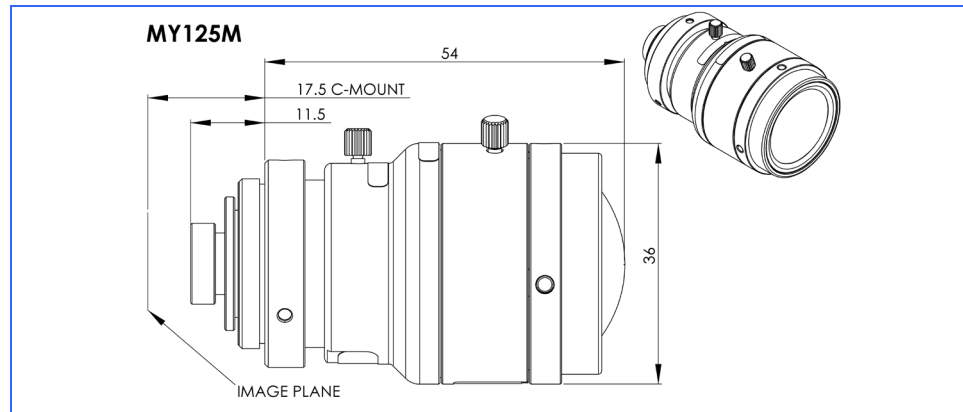


Typical wide angle lens

Lenses	MY125M machine vision C-mount manual iris lens		
Sensor size	1/4"	1/3"	1/2.5" *
Field of view (H)	109°	125°	135°
Field of view (V)	93°	109°	119°
Field of view (D)	122°	137°	141°

*Some vignetting may occur using a 1/2.5" sensor depending on sensor mechanical tolerance.

Lenses	MY125M machine vision C-mount manual iris
Focal length	1.3 mm
F/#	F/1.8 to closed
Resolution	Up to 5 megapixels
Distortion (H)	<3% barrel (for 1/3" sensor)
Pan-focus distance	.3m to ∞
Minimum Object Distance	10cm



For more information please contact:



BOCK OPTRONICS INC.

14 Steinway Blvd., Unit 7
Toronto, Ontario M9W 6M6

Tel: (416) 674-2804
sales@bockoptronics.ca
www.bockoptronics.ca

Theia Technologies, in cooperation with Nittoh Kogaku K.K., Suwa, Japan

For further information contact: **Theia Technologies**
info@TheiaTech.com
www.TheiaTech.com
Phone: 503-570-3296