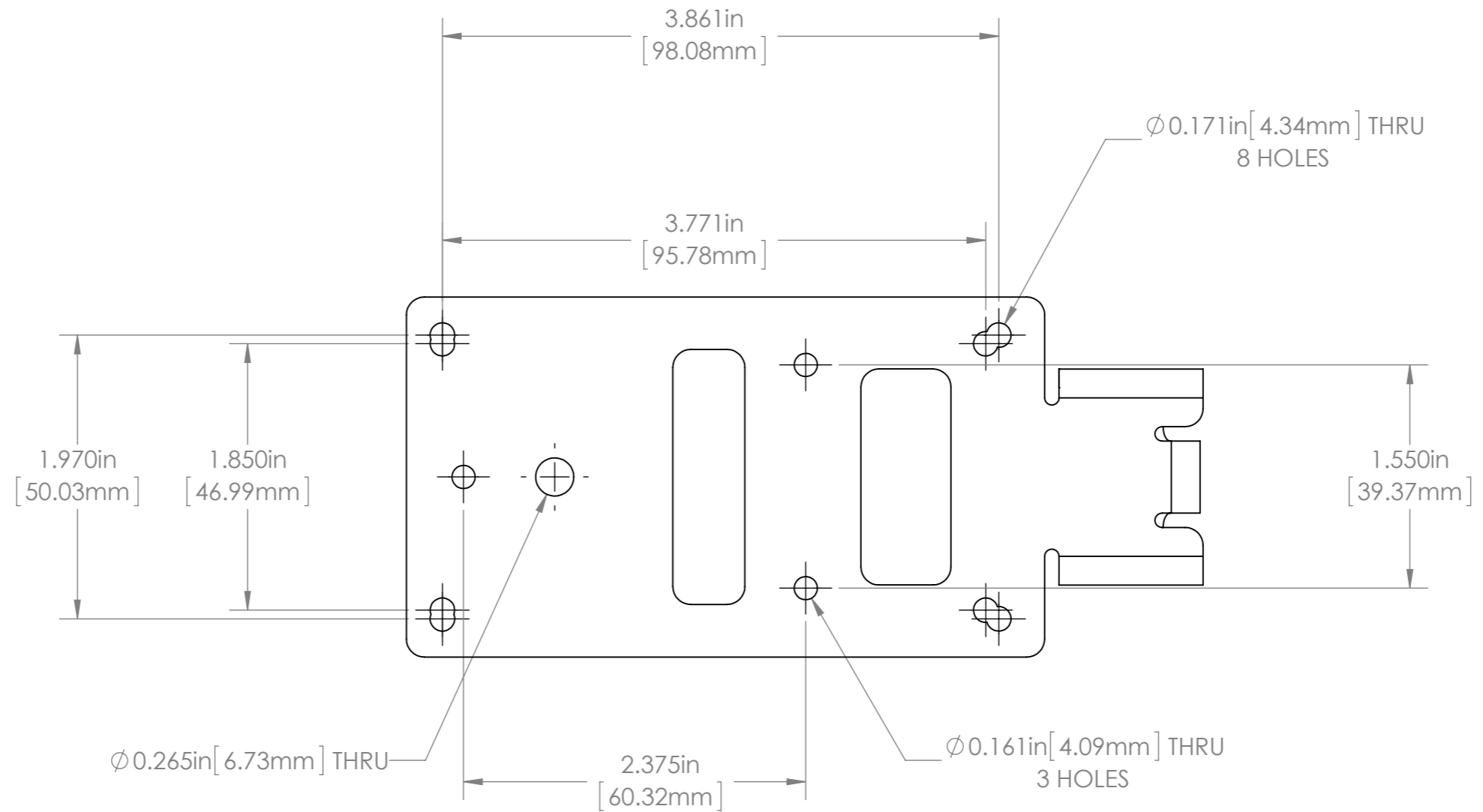
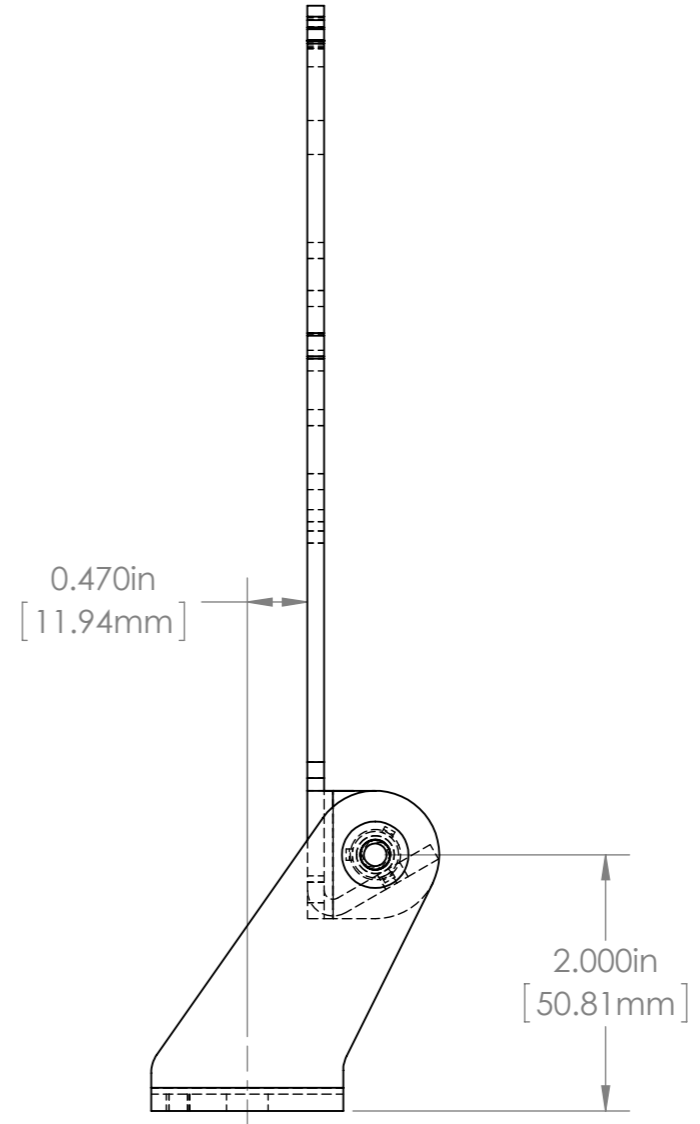
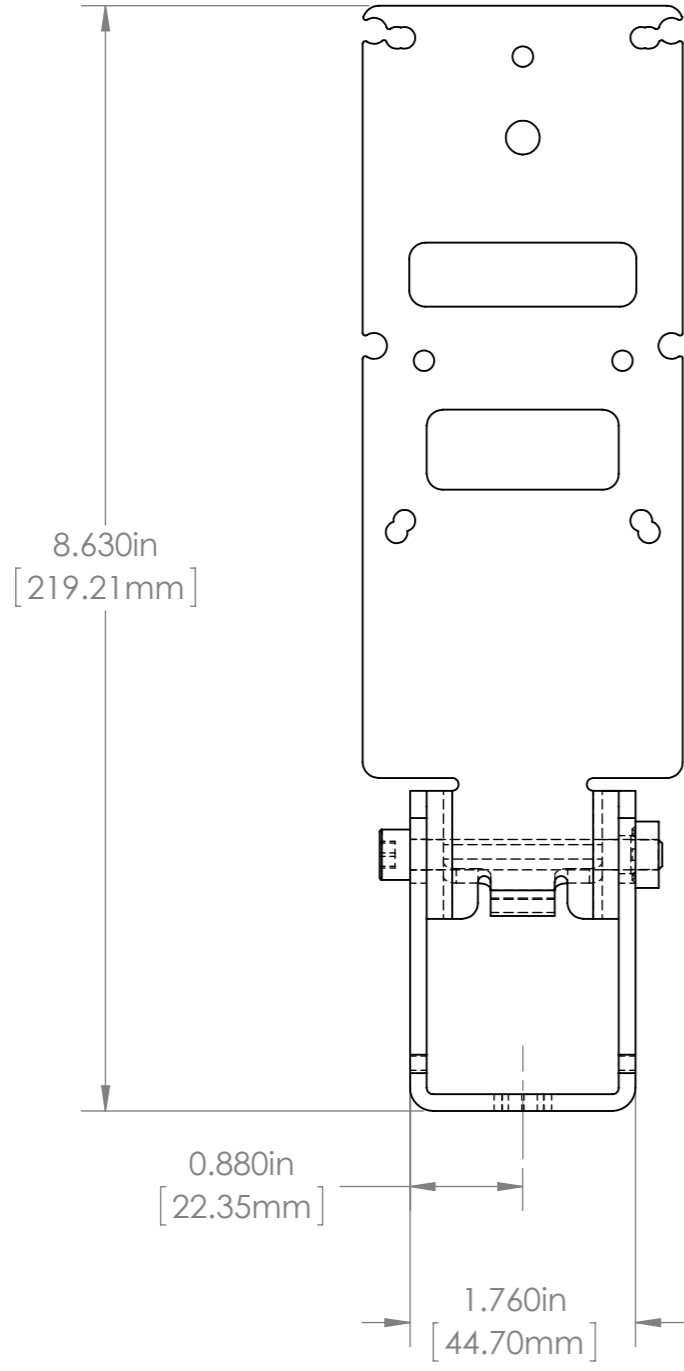
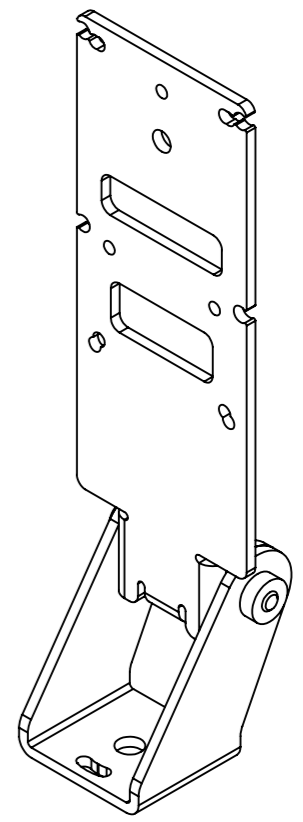
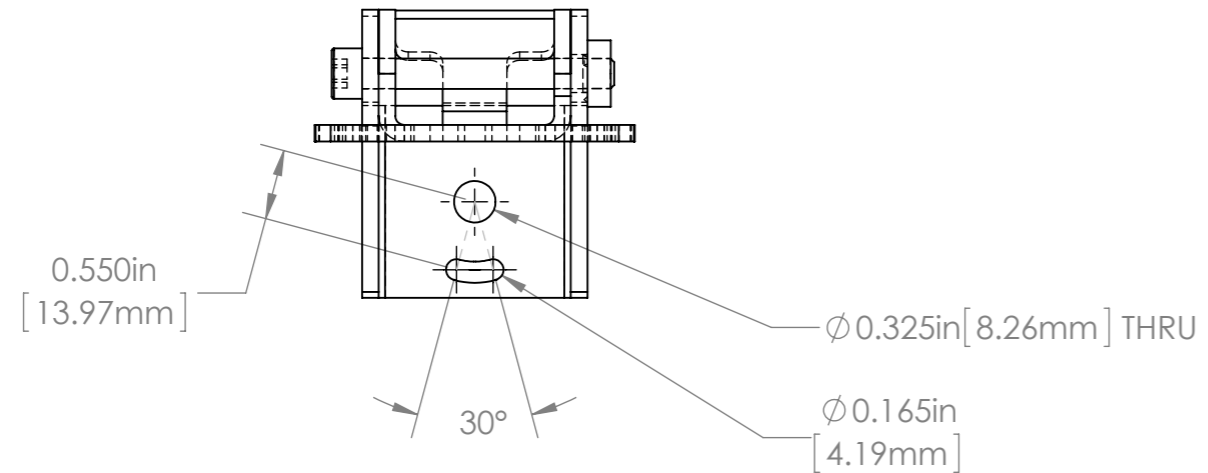


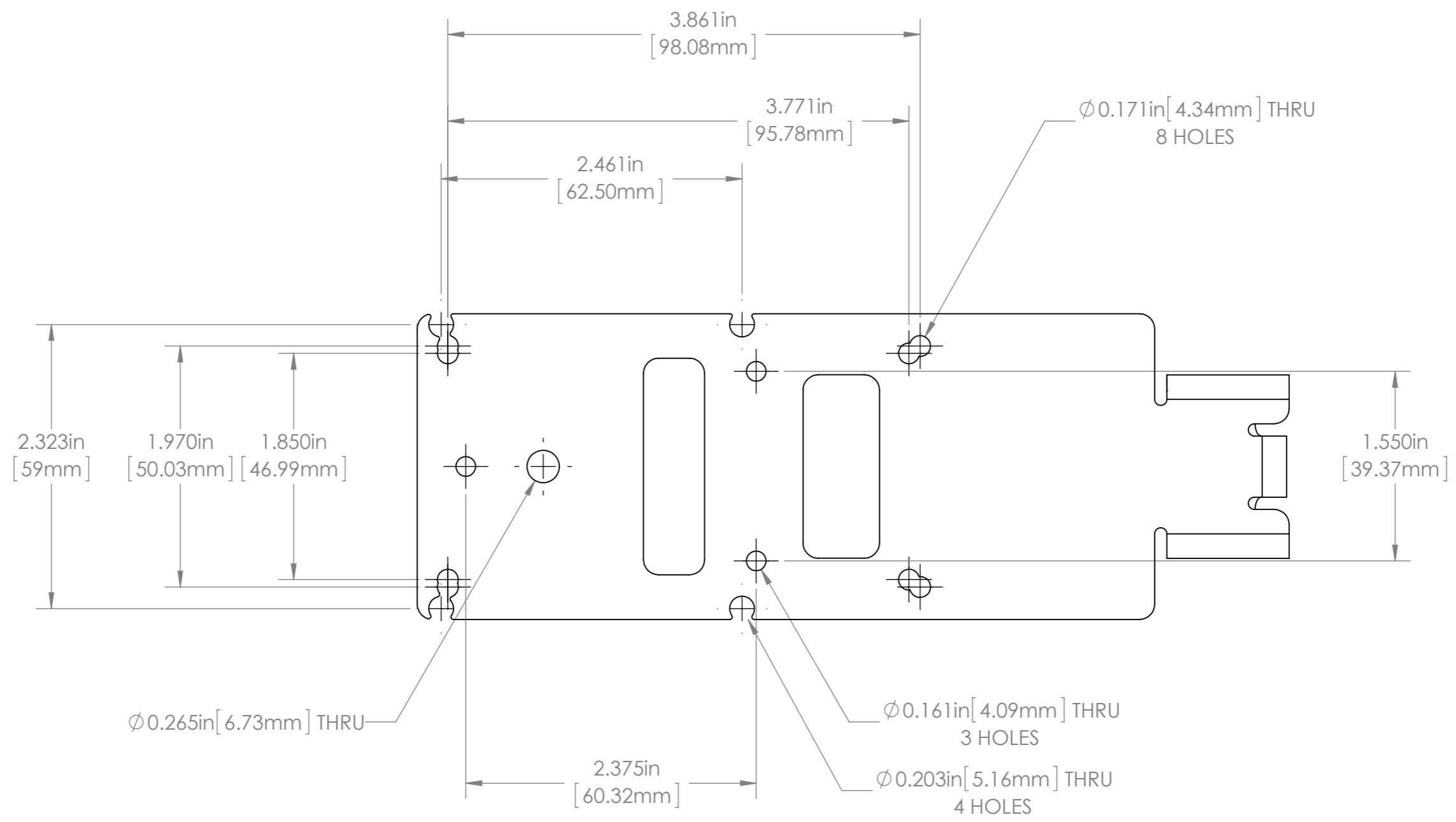
				UNLESS OTHERWISE SPECIFIED: DIMENSIONS ARE IN INCHES SURFACE FINISH: TOLERANCES: .000= +/- 0.005" .00= +/- 0.010"		FINISH: <b>BURNISHED</b>		Allison Park Group, Inc. (APG) 4055 Alpha Drive Allison Park, PA 15101 USA		DO NOT SCALE DRAWING		REVISION	
				LINEAR:		DEBUR AND BREAK SHARP EDGES		Phone +1 (412) 487-8211 Fax +1 (412) 486-3157		This document is the property of APG and is considered company confidential. The information in this document is the property of APG and may not be used, reproduced, or distributed in whole or in part without the prior written permission of APG			
				DRAWN		SIGNATURE		www.apgvision.com		TITLE: <b>PTU-AB (Cognex 5000 DVT Matrox GT NI)</b>			
				CHK'D		DATE		MATERIAL: 304 STAINLESS STEEL		DWG NO.		A3	
				APP'VD				WEIGHT:		SCALE: 1:2		SHEET 1 OF 2	
				MFG									
				Q.A									
				NOTES:									
NO.	CHANGE	DATE	INIT.										



				UNLESS OTHERWISE SPECIFIED: DIMENSIONS ARE IN INCHES SURFACE FINISH: TOLERANCES: .000= +/- 0.005" .00= +/- 0.010"		FINISH: <b>BURNISHED</b>		Allison Park Group, Inc. (APG) 4055 Alpha Drive Allison Park, PA 15101 USA		DO NOT SCALE DRAWING		REVISION	
				LINEAR:		DEBUR AND BREAK SHARP EDGES		Phone +1 (412) 487-8211 Fax +1 (412) 486-3157		This document is the property of APG and is considered company confidential. The information in this document is the property of APG and may not be used, reproduced, or distributed in whole or in part without the prior written permission of APG			
				DRAWN		SIGNATURE		www.apgvision.com		TITLE: <b>PTU-AB (Cognex 5000 DVT Matrox GT NI)</b>			
				SCHUBERT		DATE		MATERIAL: 304 STAINLESS STEEL		DWG NO.		A3	
				CHK'D						SCALE: 1:2			
				APPVD						SHEET 2 OF 2			
				MFG									
				Q.A									
				NOTES:									
				NO.		CHANGE		DATE		INIT.			

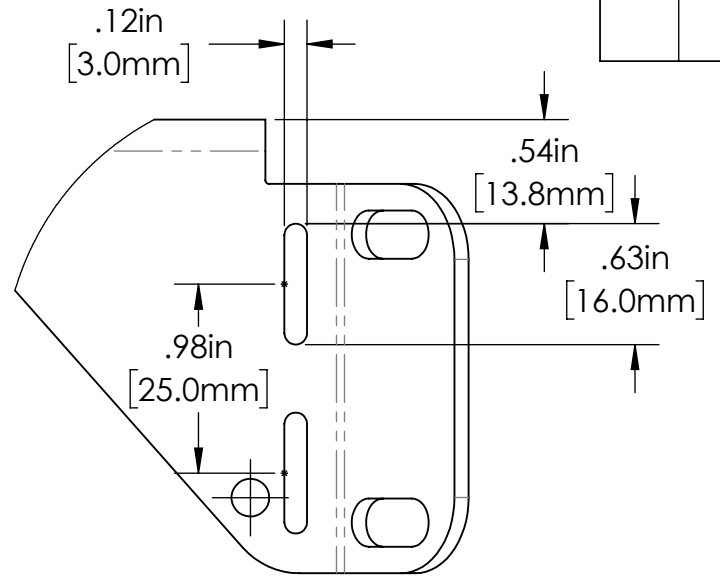
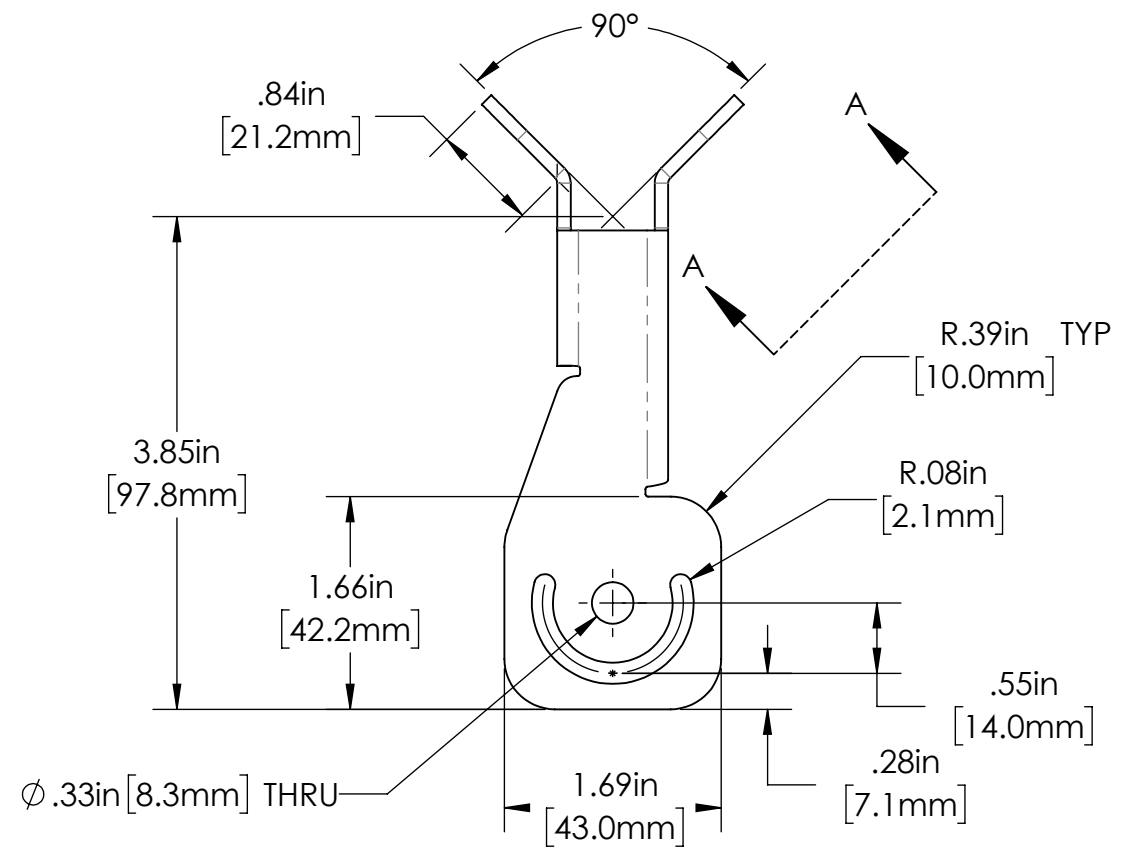


				UNLESS OTHERWISE SPECIFIED: DIMENSIONS ARE IN INCHES SURFACE FINISH: TOLERANCES: .000= +/- 0.005" .00= +/- 0.010"		FINISH: <b>BURNISHED</b> DEBUR AND BREAK SHARP EDGES		Allison Park Group, Inc. (APG) 4055 Alpha Drive Allison Park, PA 15101 USA		DO NOT SCALE DRAWING		REVISION	
				LINEAR:				Phone +1 (412) 487-8211 Fax +1 (412) 486-3157		This document is the property of APG and is considered company confidential. The information in this document is the property of APG and may not be used, reproduced, or distributed in whole or in part without the prior written permission of APG			
				DRAWN		NAME		SIGNATURE		DATE		TITLE:	
				SCHUBERT						5/2/2012		PTU-AC (PPT A10 arm)	
				CHK'D									
				APPVD									
				MFG									
				Q.A									
				NOTES:						MATERIAL:		DWG NO.	
										304 STAINLESS STEEL		PTU-AC ASSY	
										WEIGHT:		SCALE: 1:2	
												SHEET 1 OF 2	
NO.		CHANGE		DATE		INIT.						A3	

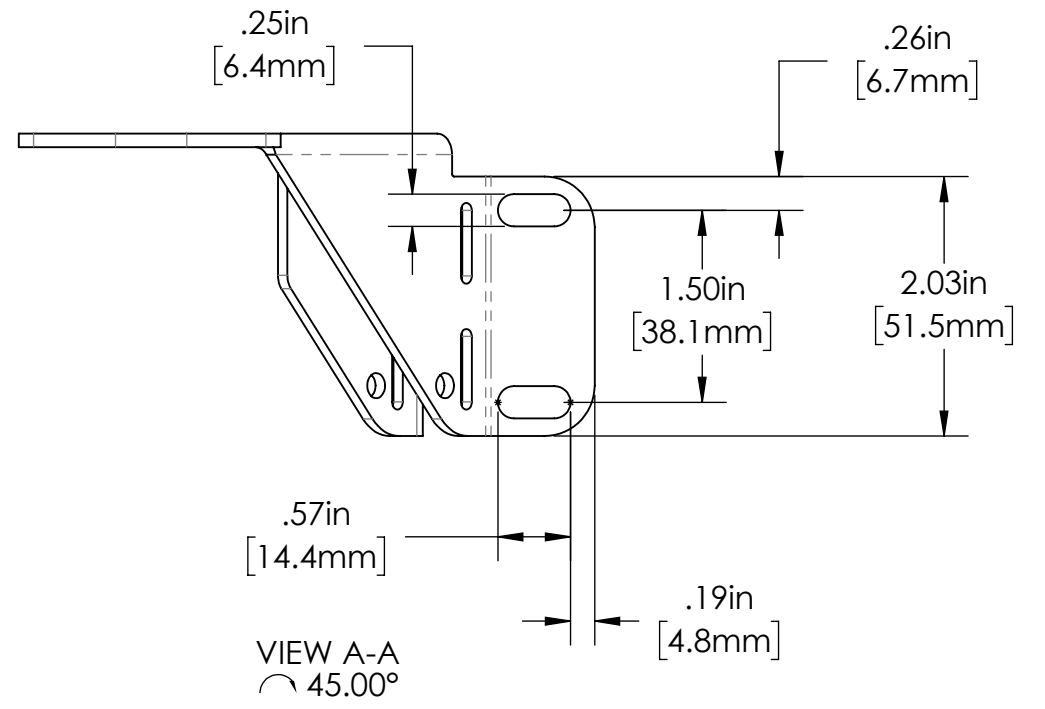
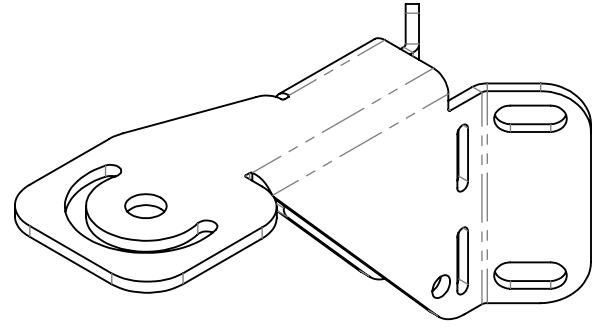


				UNLESS OTHERWISE SPECIFIED: DIMENSIONS ARE IN INCHES SURFACE FINISH: TOLERANCES: .000= +/- 0.005" .00= +/- 0.010"		FINISH: <b>BURNISHED</b>		Allison Park Group, Inc. (APG) 4055 Alpha Drive Allison Park, PA 15101 USA		DO NOT SCALE DRAWING		REVISION	
				LINEAR:		DEBUR AND BREAK SHARP EDGES		Phone +1 (412) 487-8211 Fax +1 (412) 486-3157		This document is the property of APG and is considered company confidential. The information in this document is the property of APG and may not be used, reproduced, or distributed in whole or in part without the prior written permission of APG			
				DRAWN		SIGNATURE		www.apgvision.com		TITLE: <b>PTU-AC (PPT A10 arm)</b>			
				SCHUBERT		DATE		MATERIAL: 304 STAINLESS STEEL		DWG NO.		A3	
				CHK'D				WEIGHT:		SCALE:1:2		SHEET 2 OF 2	
				APPVD									
				MFG									
				Q.A									
				NOTES:									
				NO.		CHANGE							
				DATE		INIT.							

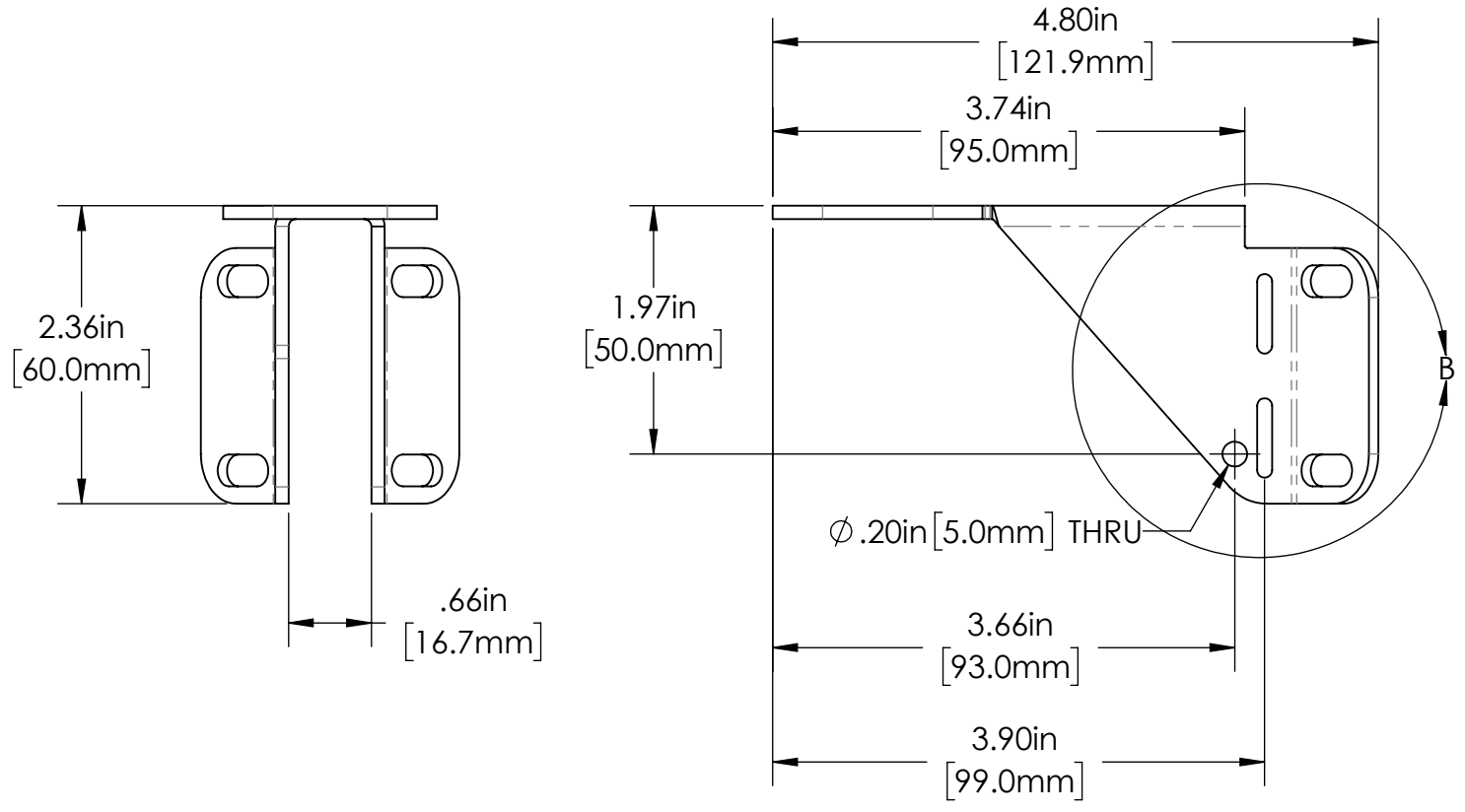
REVISIONS				
ZONE	REV.	DESCRIPTION	DATE	APPROVED
	A	PREVIOUSLY CALLED POLE MOUNT V1.3	12/2/2019	GD



DETAIL B  
SCALE 1 : 1



VIEW A-A  
45.00°



TOLERANCES UNLESS OTHERWISE SPECIFIED

MACHINING		SHEET METAL	
X.X	0.0250"	HOLE TO HOLE (SAME SURFACE)	
X.XX	0.0100"	X.X	0.030"
X.XXX	0.0050"	X.XX	0.010"
X.XXXX	0.0005"	X.XXX	0.005"
ANGULAR	0.5°	X.XXX	0.015"
DEBURR ALL		HOLE TO FOLDED EDGE	
		X.X	0.035"
		X.XX	0.025"
		X.XXX	0.015"
		FOLD TO FOLD	
		X.X	0.045"
		X.XX	0.035"
		X.XXX	0.020"
		ANGULAR 1.0°	

ALL WEIGHTS ARE IN POUNDS

THIS PRINT IS THE PROPERTY OF ALLISON PARK GROUP. THE INFORMATION CONTAINED HEREIN IS CONFIDENTIAL. IT IS NOT TRANSFERABLE. IT IS FURNISHED WITH THE CLEAR UNDERSTANDING THAT IT IS NOT TO BE TRACED, REPRODUCED OR USED IN ANY PROCESS OF MANUFACTURING WITHOUT WRITTEN PERMISSION FROM THE OWNER AND IS RETURNABLE UPON DEMAND. ANY INFRINGEMENT UPON THE PATENT RIGHTS SHOWN HEREIN, WHETHER IN PART OR WHOLE, WILL BE PROSECUTED.

AS PART OF OUR POLICY OF CONTINUING DEVELOPMENT, ALLISON PARK GROUP RESERVES THE RIGHT TO ALTER SPECIFICATIONS WITHOUT PRIOR NOTICE.

**apg** Allison Park Group, Inc (APG)  
4055 Alpha Drive  
Allison Park, PA 15101 USA  
Phone +1 (412) 487-8211  
apgvision.com

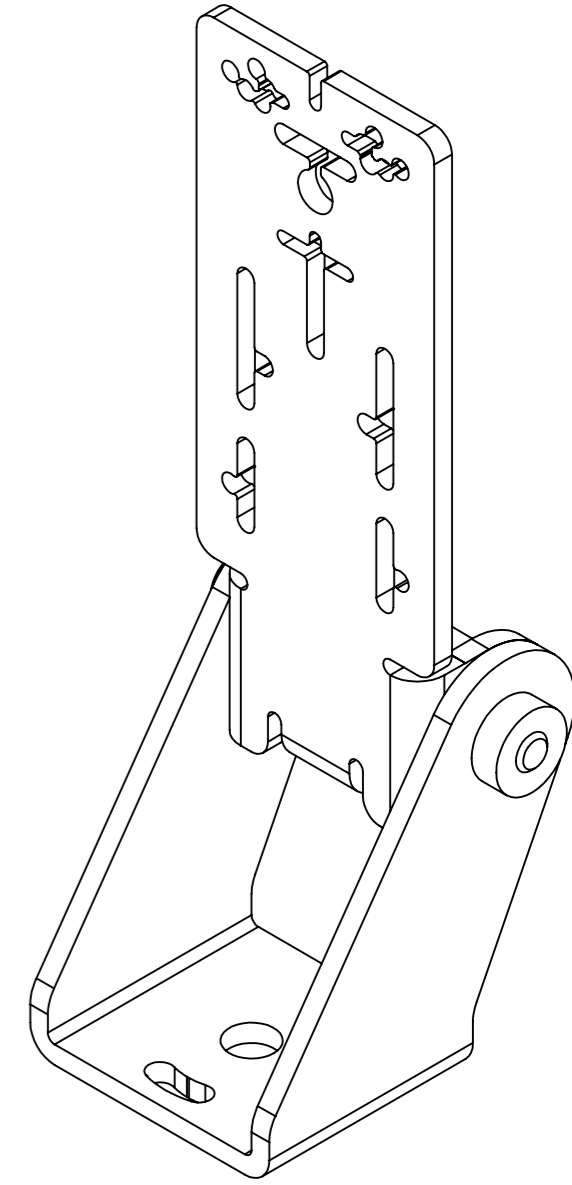
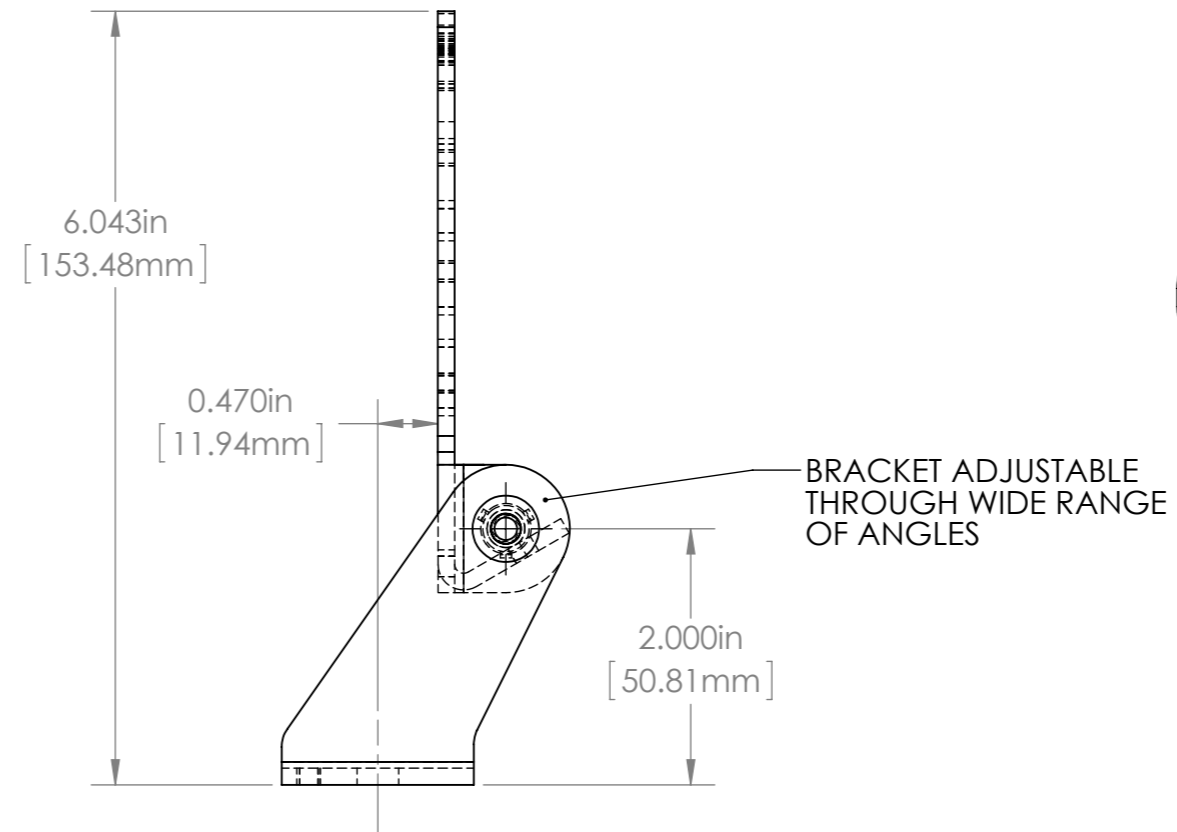
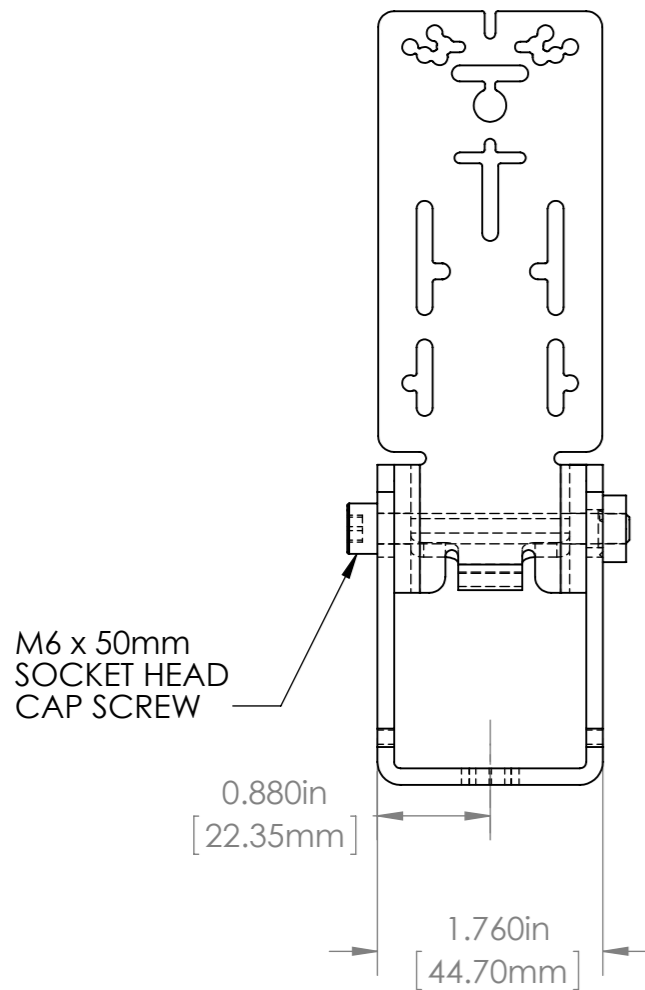
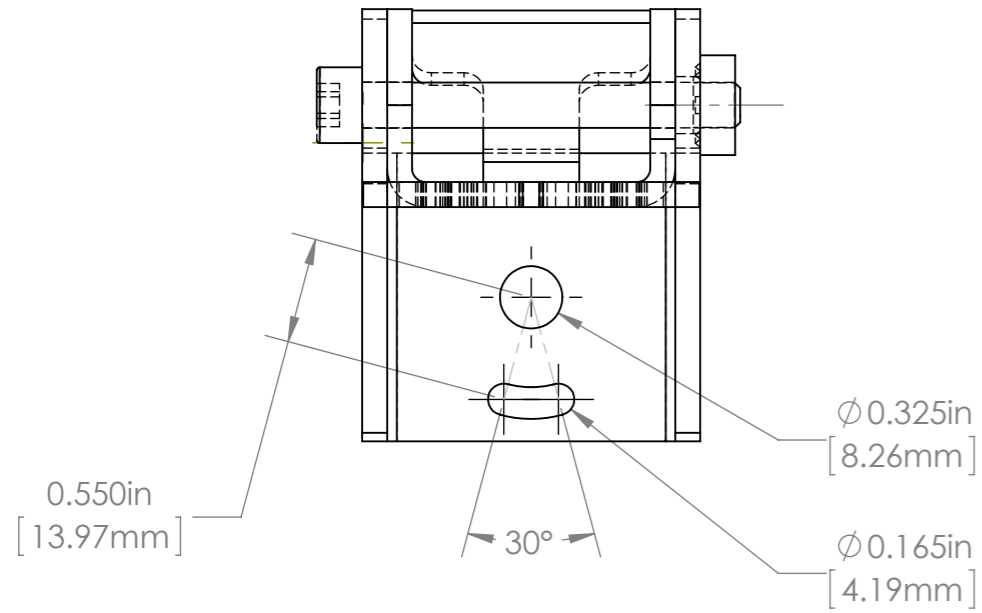
DESCRIPTION:  
**UNIVERSAL POLE MOUNT**

MATERIAL: **12 GA. 304 STAINLESS STEEL**

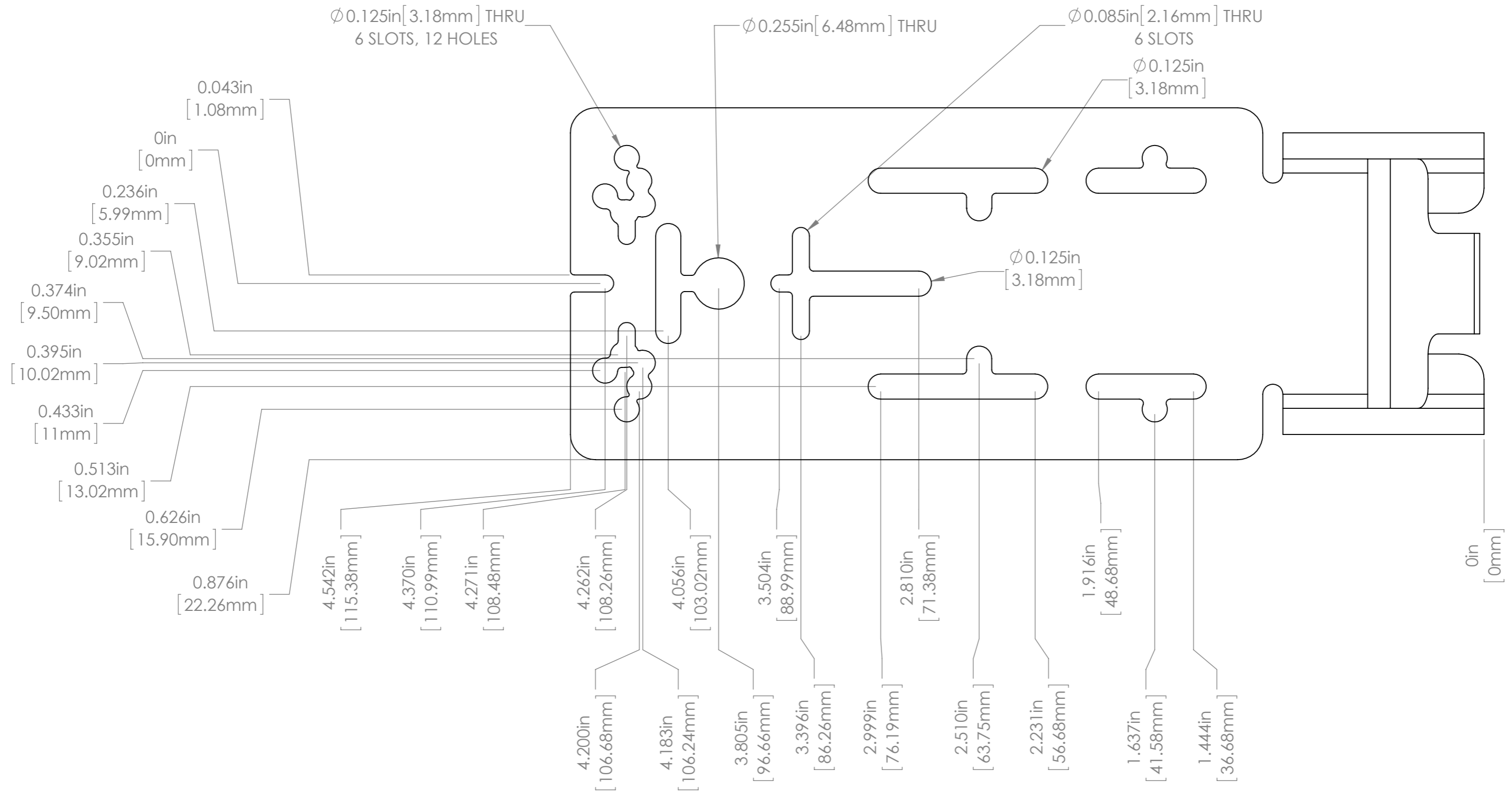
FINISH: **BURNISHED**

DRAWN BY: RS	DATE: 11/7/2019	SCALE: 2:3	SHT-SIZE: B	APPROX. WEIGHT: 0.3686
CHECKED BY: GD	DATE: 12/2/2019	PART NUMBER: <b>PTU-BASE006</b>		REVISION: A

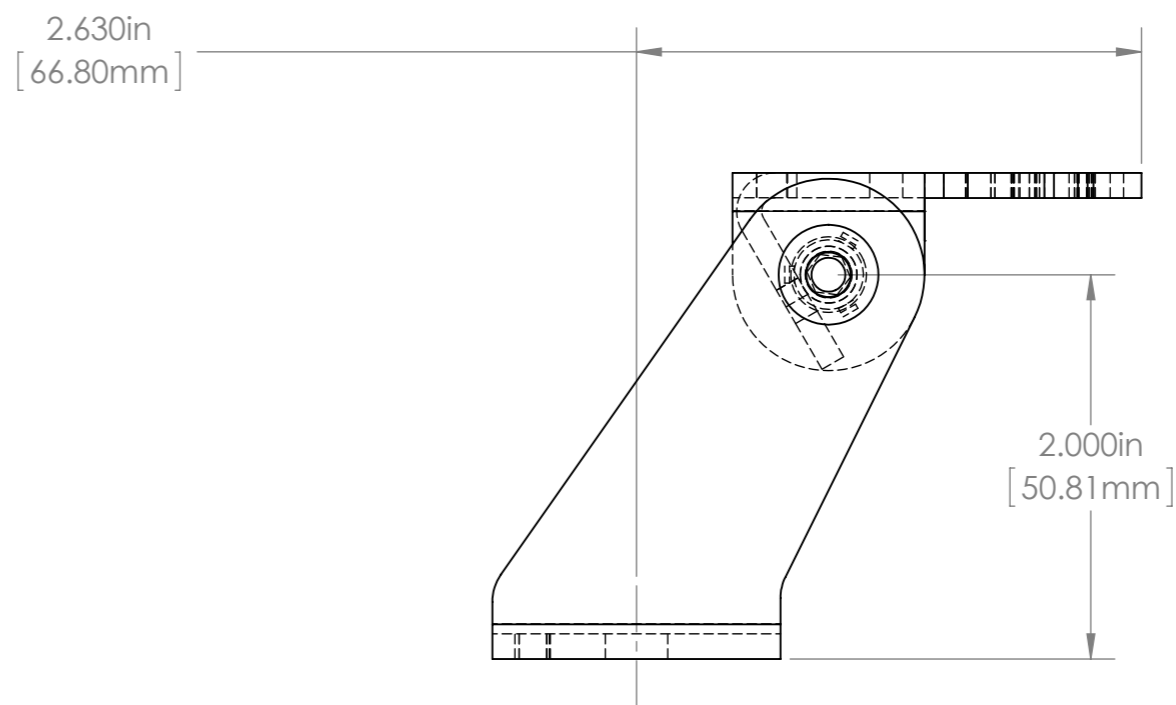
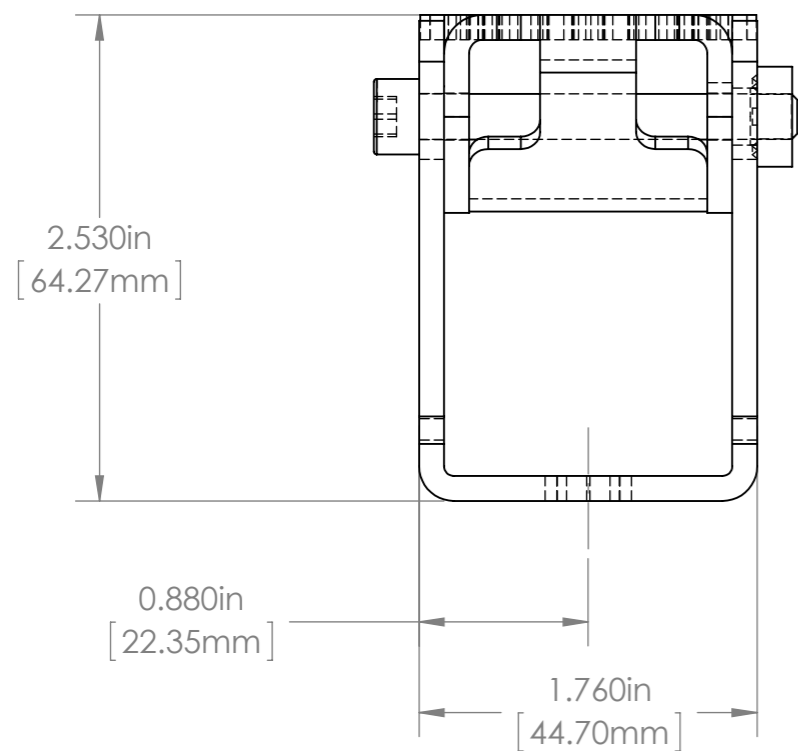
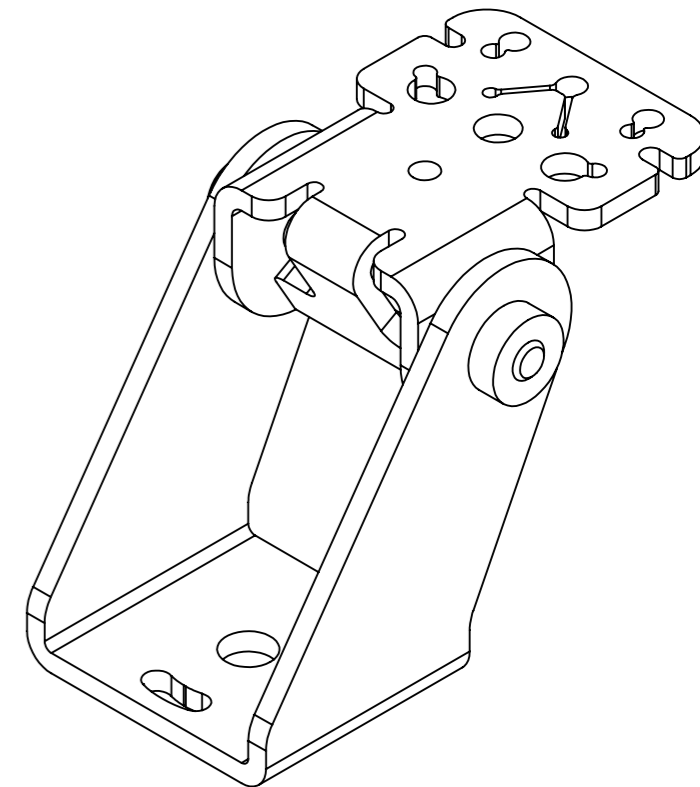
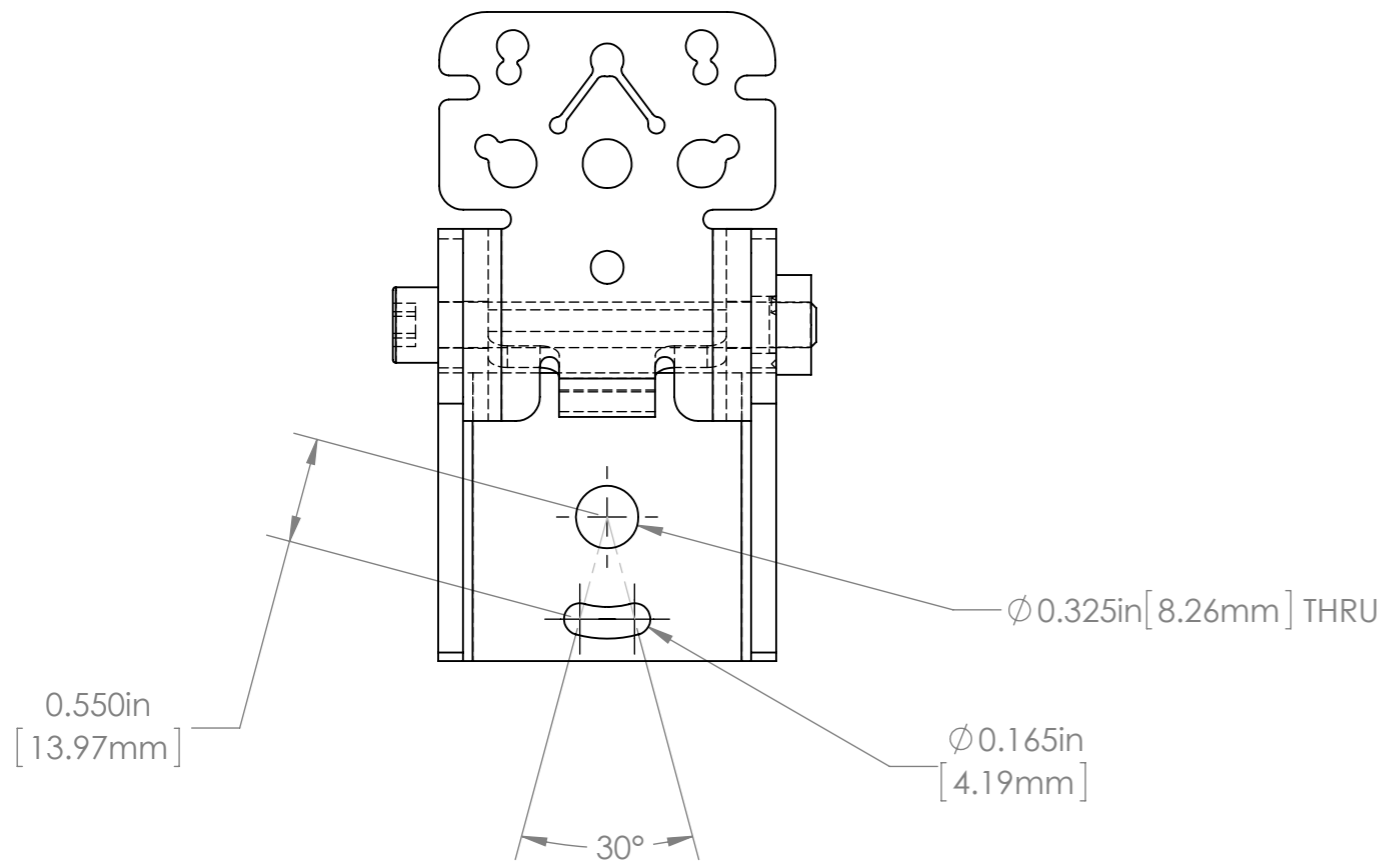
Sheet 1 of 3



				UNLESS OTHERWISE SPECIFIED: DIMENSIONS ARE IN INCHES SURFACE FINISH: TOLERANCES: .000= +/- 0.005" .00= +/- 0.010"		FINISH: <b>BURNISHED</b> DEBUR AND BREAK SHARP EDGES		Allison Park Group, Inc. (APG) 4055 Alpha Drive Allison Park, PA 15101 USA		DO NOT SCALE DRAWING		REVISION	
				LINEAR:				Phone +1 (412) 487-8211 Fax +1 (412) 486-3157		This document is the property of APG and is considered company confidential. The information in this document is the property of APG and may not be used, reproduced, or distributed in whole or in part without the prior written permission of APG			
				DRAWN		NAME		SIGNATURE		DATE		TITLE:	
				SCHUBERT						1/26/2011		PTU-BD (inline arm-Scout)	
				CHK'D									
				APPV'D									
				MFG									
				Q.A									
				NOTES:						MATERIAL:		DWG NO.	
										304 Stainless Steel		PTU-BD	
										WEIGHT:		SCALE: 1:2	
												SHEET 1 OF 2	
NO.		CHANGE		DATE		INIT.						A3	

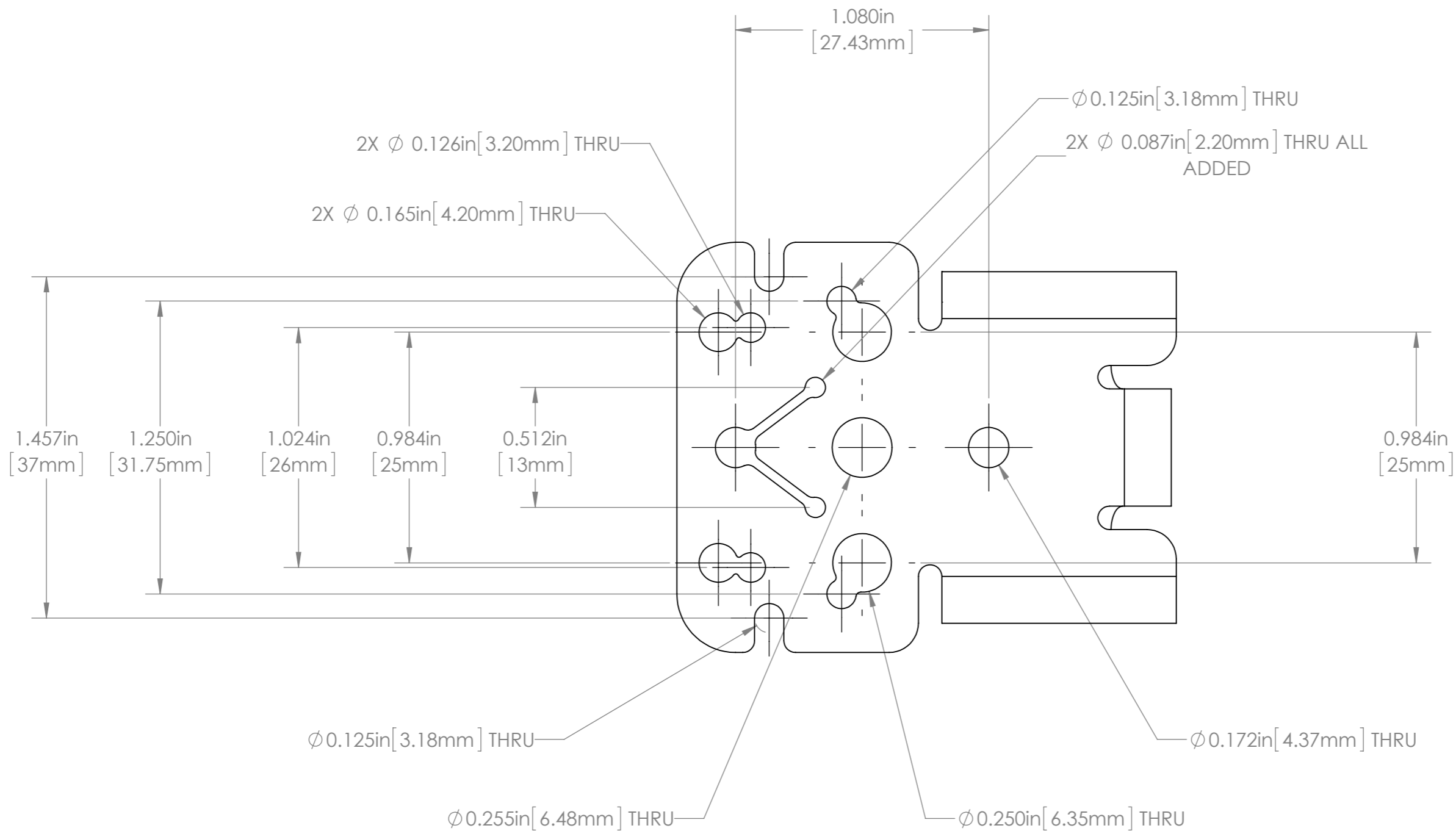


				UNLESS OTHERWISE SPECIFIED: DIMENSIONS ARE IN INCHES SURFACE FINISH: TOLERANCES: .000= +/- 0.005" .00= +/- 0.010"		FINISH: <b>BURNISHED</b>		Allison Park Group, Inc. (APG) 4055 Alpha Drive Allison Park, PA 15101 USA		DO NOT SCALE DRAWING		REVISION	
				LINEAR:		DEBUR AND BREAK SHARP EDGES		Phone +1 (412) 487-8211 Fax +1 (412) 486-3157		This document is the property of APG and is considered company confidential. The information in this document is the property of APG and may not be used, reproduced, or distributed in whole or in part without the prior written permission of APG		TITLE:	
				DRAWN SCHUBERT		SIGNATURE		www.apgvision.com		PTU-BD (inline arm-Scout)			
				CHK'D		DATE 8/6/2012		MATERIAL: 304 STAINLESS STEEL		DWG NO. <b>PTU-BD</b>		A3	
				APPVD				WEIGHT:		SCALE: 1:2		SHEET 2 OF 2	
				MFG									
				Q.A									
				NOTES:									
NO.		CHANGE		DATE		INIT.							

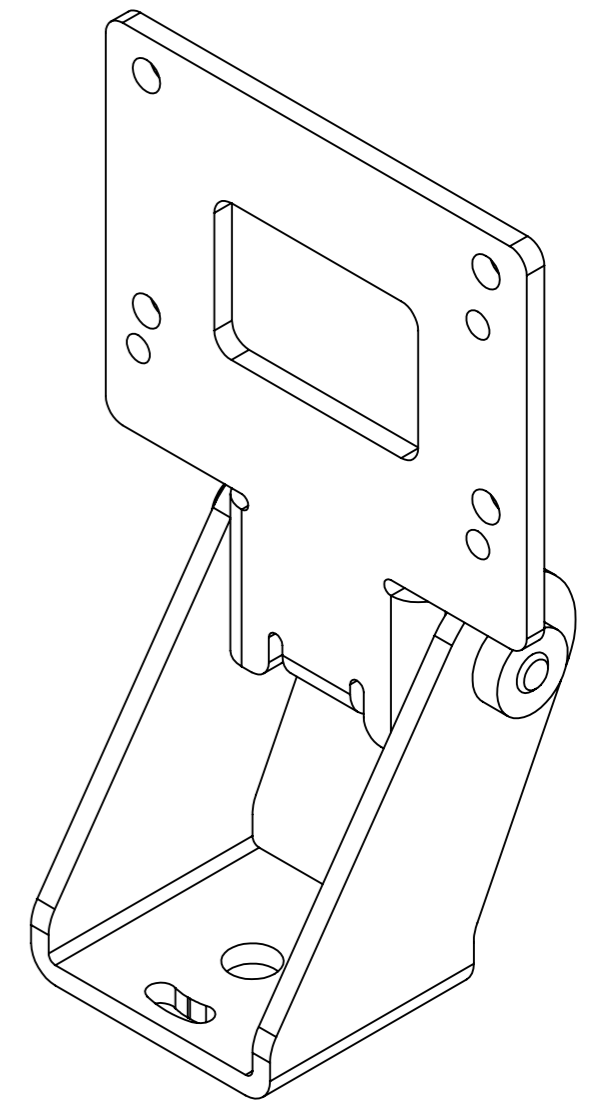
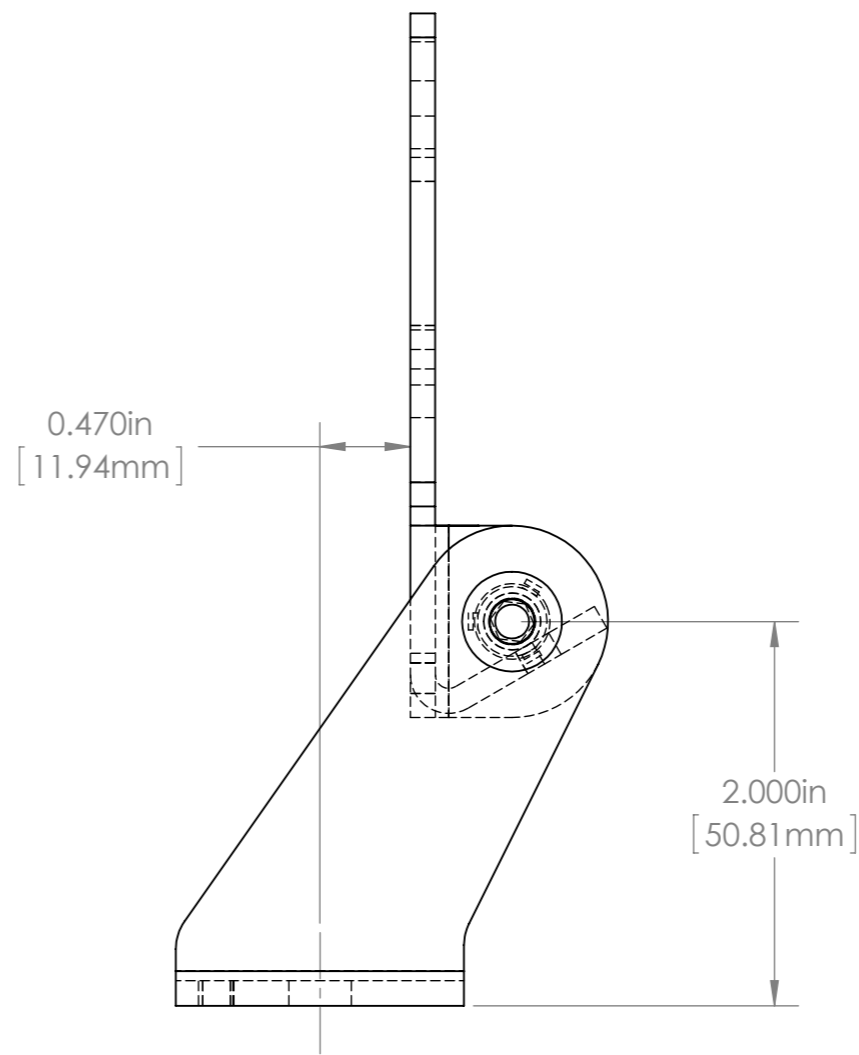
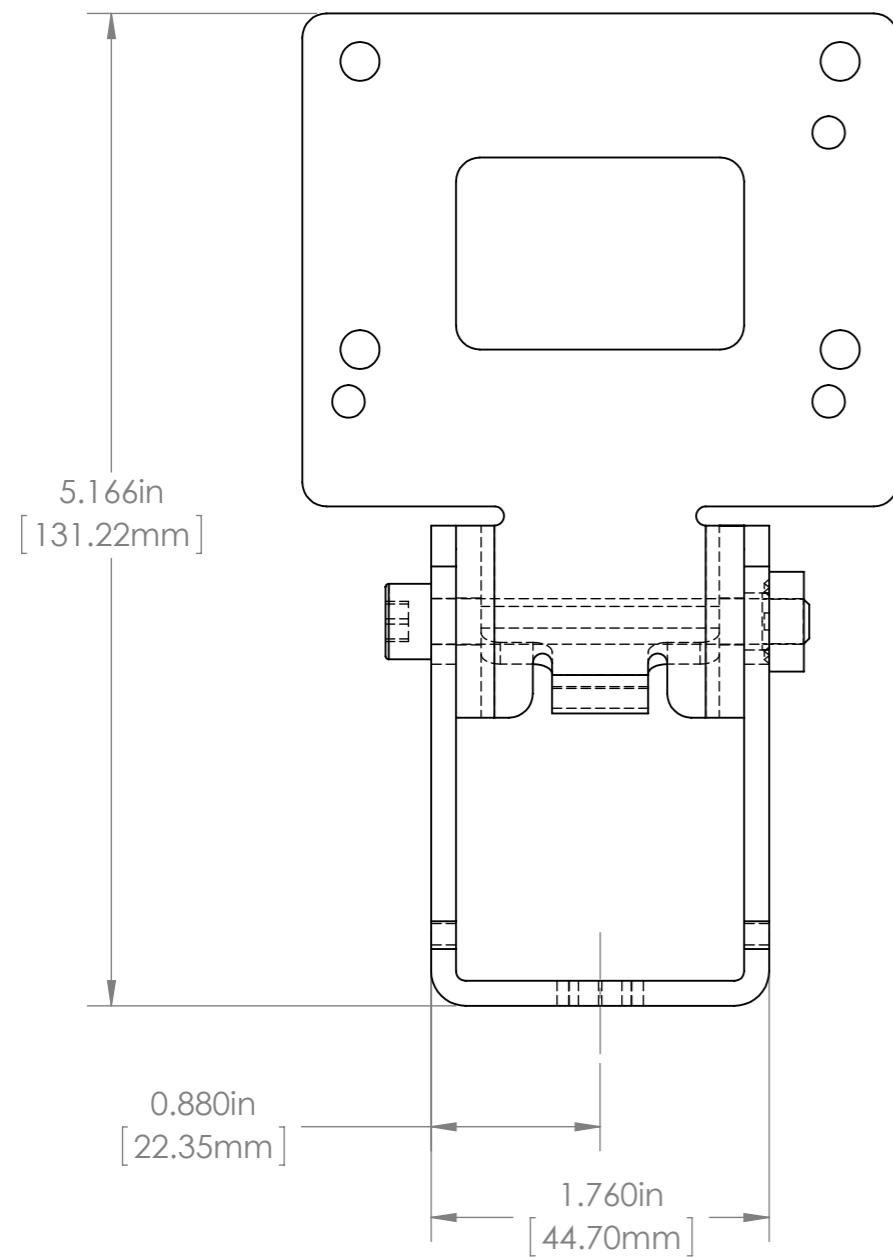
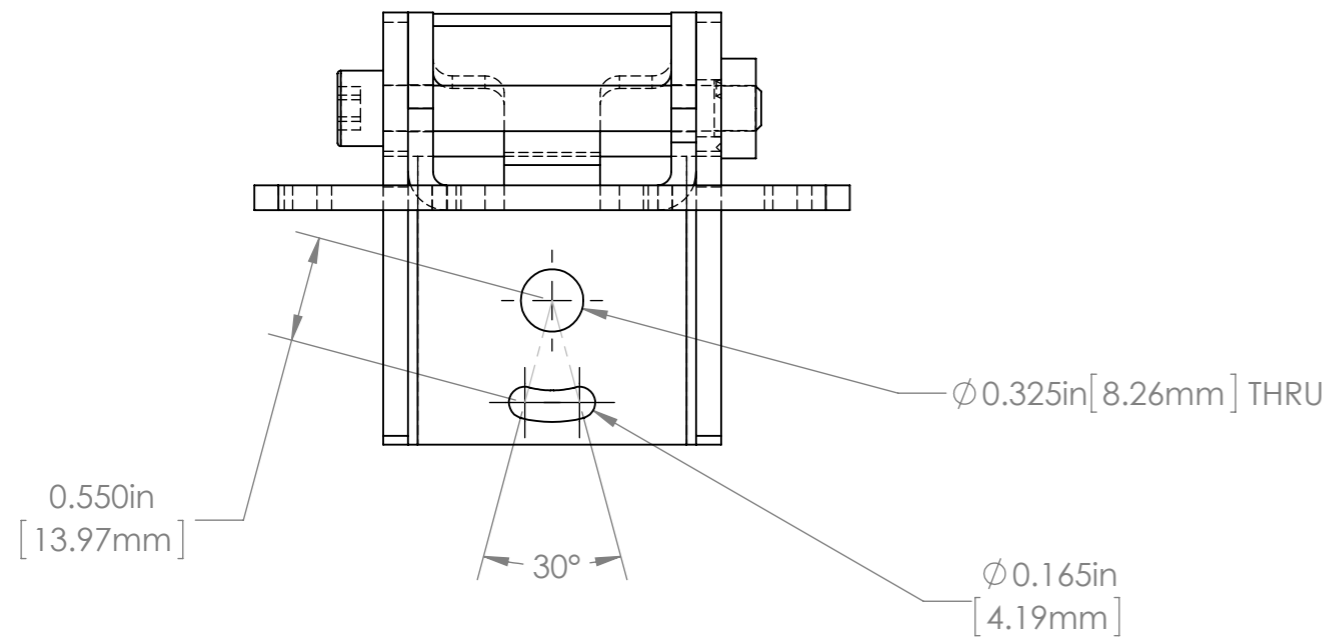


				UNLESS OTHERWISE SPECIFIED: DIMENSIONS ARE IN INCHES SURFACE FINISH: TOLERANCES: .000= +/- 0.005" .00= +/- 0.010"		FINISH: <b>BURNISHED</b>		Allison Park Group, Inc. (APG) 4055 Alpha Drive Allison Park, PA 15101 USA		DO NOT SCALE DRAWING		REVISION	
				LINEAR:		DEBUR AND BREAK SHARP EDGES		Phone +1 (412) 487-8211 Fax +1 (412) 486-3157		This document is the property of APG and is considered company confidential. The information in this document is the property of APG and may not be used, reproduced, or distributed in whole or in part without the prior written permission of APG			
				DRAWN		SIGNATURE		www.apgvision.com		TITLE: <b>PTU-BE (Checker 200 &amp; DataMan) R1.1</b>			
				SCHUBERT				11/17/2015		DWG NO. <b>PTU-BE ASSY</b>			
				CHK'D				MATERIAL: 304 STAINLESS STEEL		SCALE: 1:2			
				APPVD				WEIGHT:		SHEET 1 OF 2			
				MFG						A3			
				Q.A									
				NOTES:									
NO.	CHANGE	DATE	INIT.										

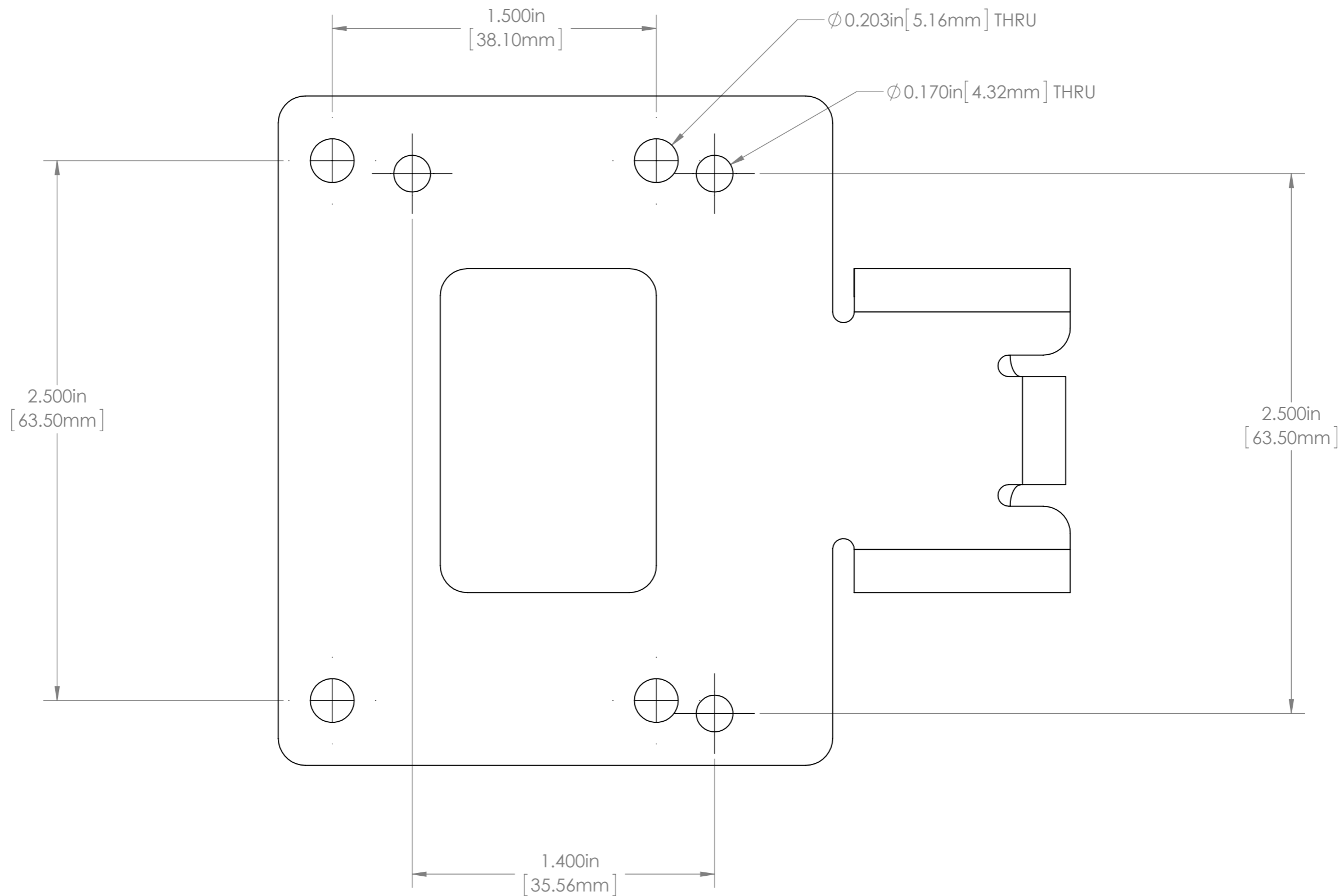




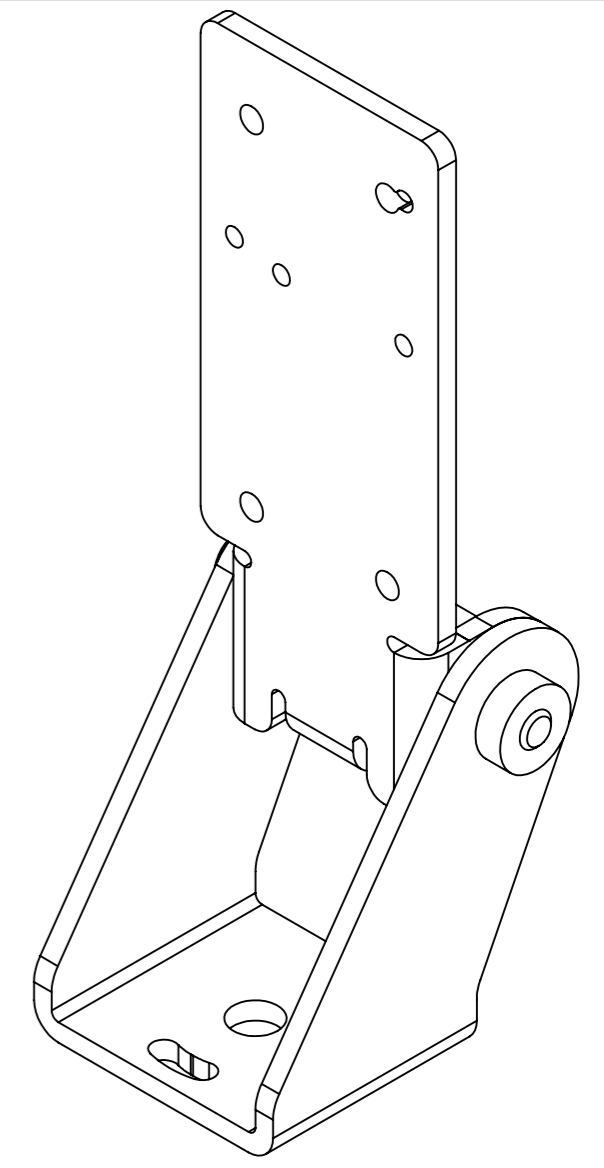
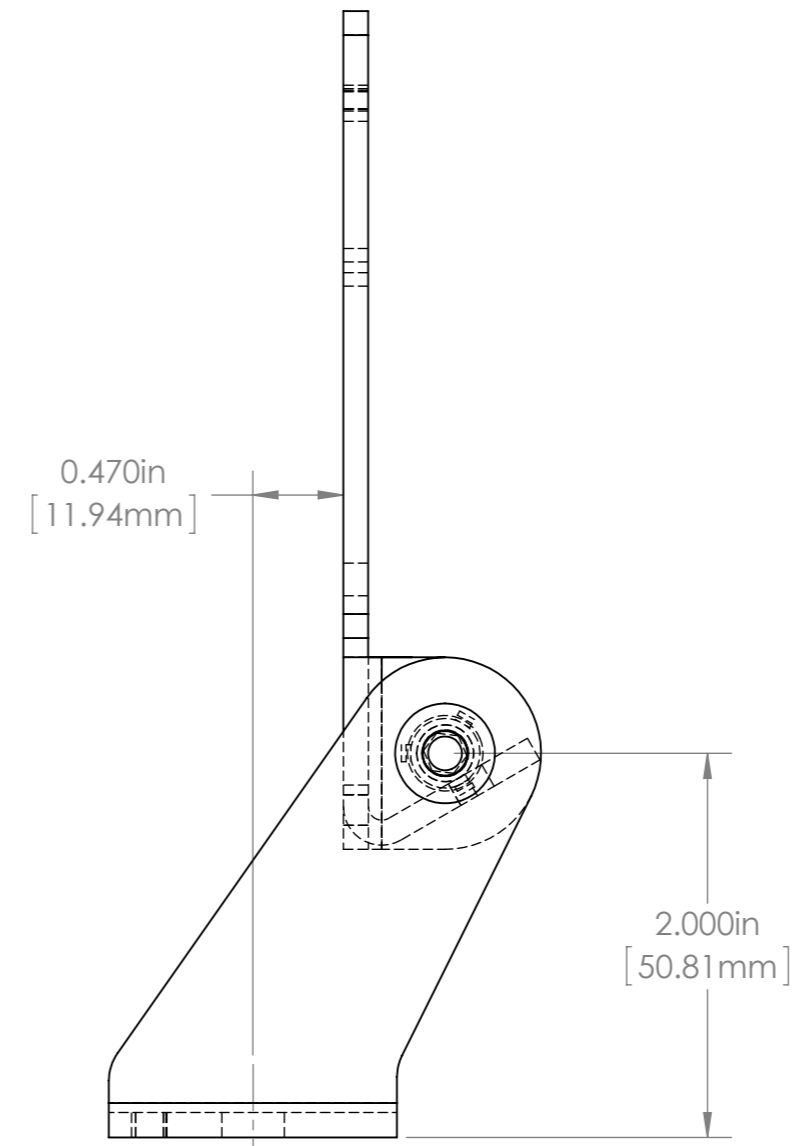
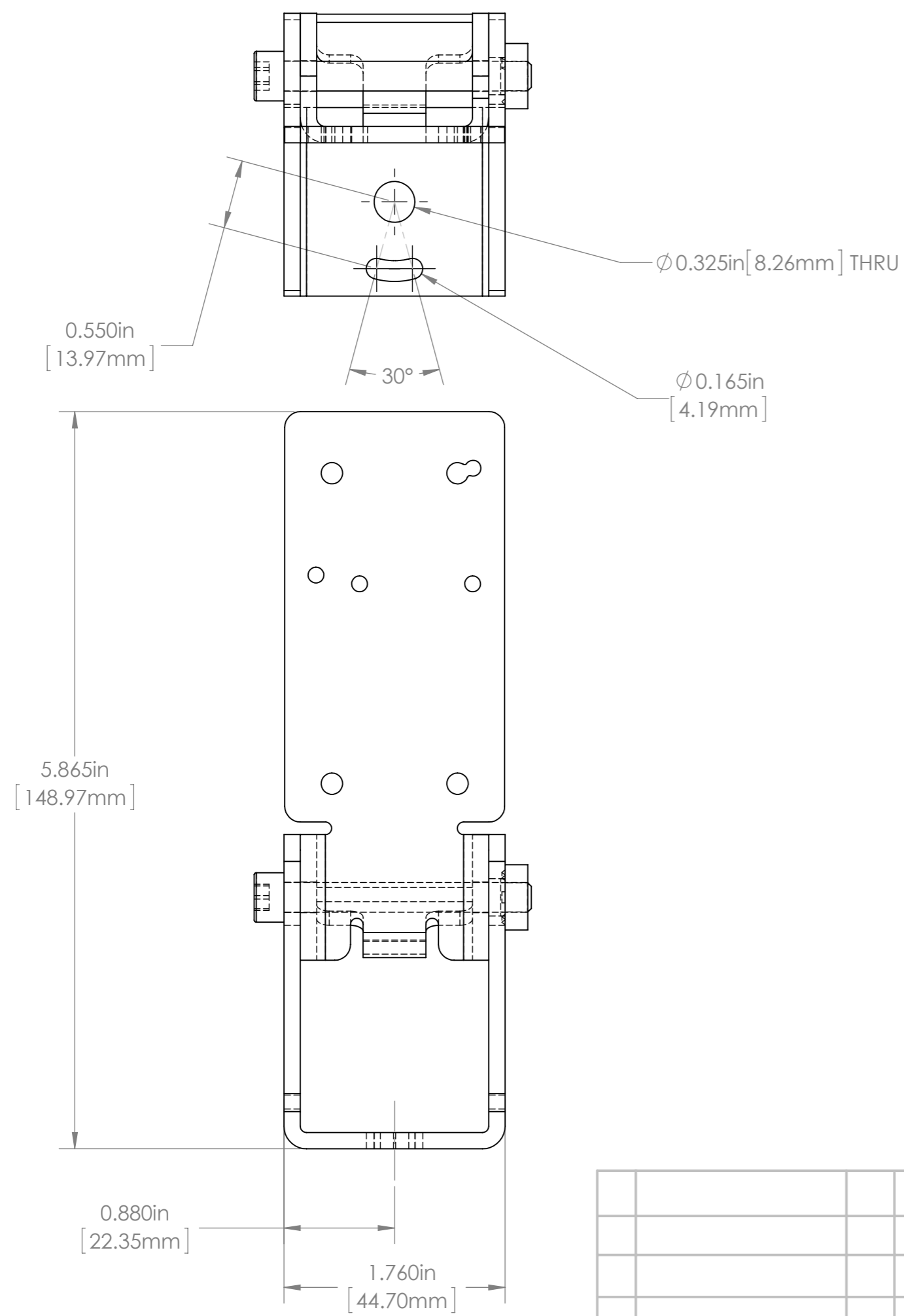
				UNLESS OTHERWISE SPECIFIED: DIMENSIONS ARE IN INCHES SURFACE FINISH: TOLERANCES: .000= +/- 0.005" .00= +/- 0.010"	FINISH: <b>BURNISHED</b>	Allison Park Group, Inc. (APG) 4055 Alpha Drive Allison Park, PA 15101 USA	DO NOT SCALE DRAWING	REVISION
				LINEAR:	DEBUR AND BREAK SHARP EDGES	Phone +1 (412) 487-8211 Fax +1 (412) 486-3157	This document is the property of APG and is considered company confidential. The information in this document is the property of APG and may not be used, reproduced, or distributed in whole or in part without the prior written permission of APG	
				DRAWN	NAME	SIGNATURE	DATE	TITLE:
				CHK'D	SCHUBERT		11/17/2015	PTU-BE (Checker 200 & DataMan) R1.1
				APPV'D				
				MFG				
				Q.A				
				NOTES:				
				MATERIAL:		304 STAINLESS STEEL	DWG NO.	PTU-BE ASSY
				WEIGHT:			SCALE: 1:2	A3
NO.	CHANGE	DATE	INIT.				SHEET 2 OF 2	



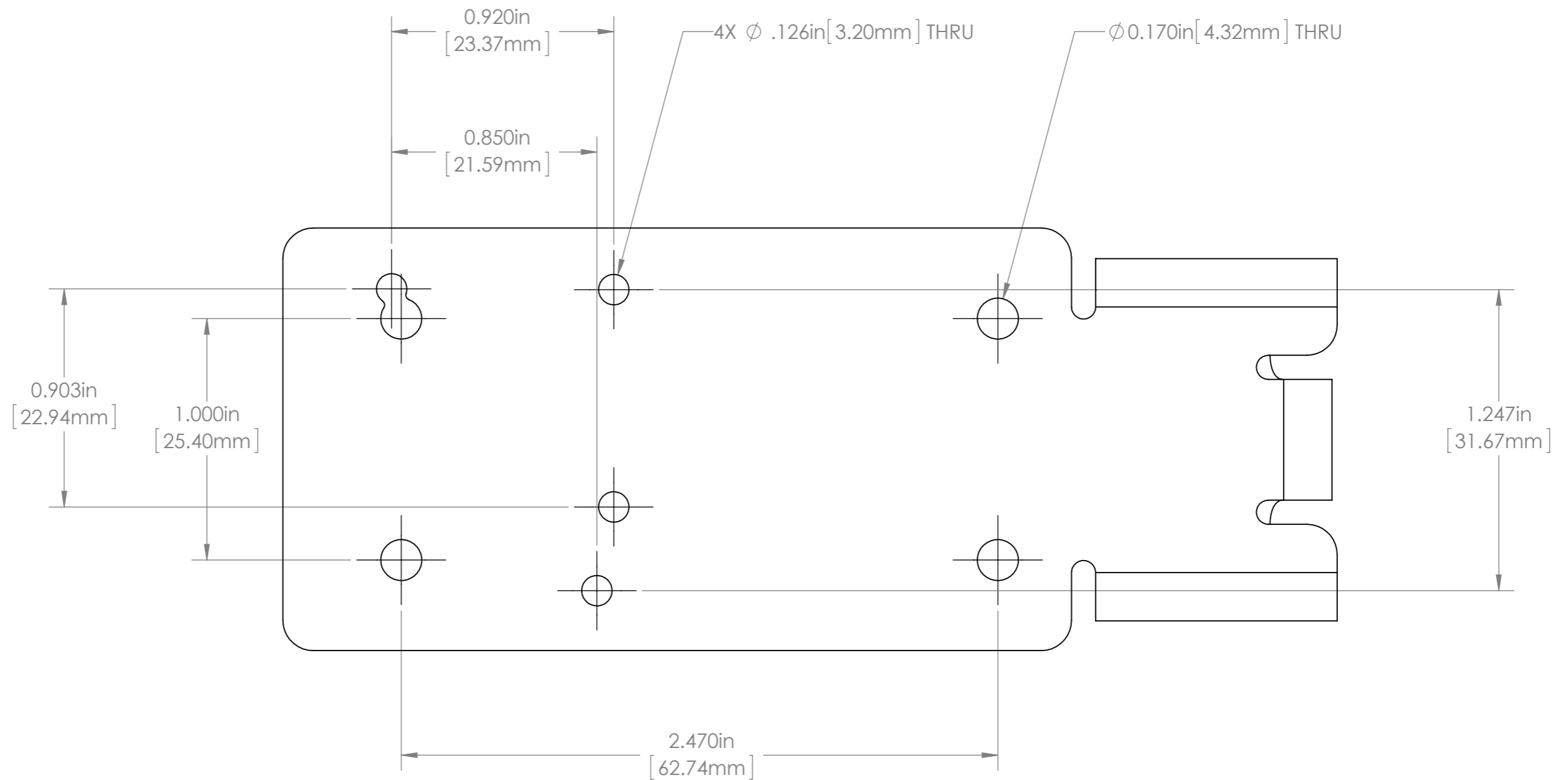
				UNLESS OTHERWISE SPECIFIED: DIMENSIONS ARE IN INCHES SURFACE FINISH: TOLERANCES: .000= +/- 0.005" .00= +/- 0.010"		FINISH: <b>BURNISHED</b> DEBUR AND BREAK SHARP EDGES		Allison Park Group, Inc. (APG) 4055 Alpha Drive Allison Park, PA 15101 USA		DO NOT SCALE DRAWING		REVISION	
				LINEAR:				Phone +1 (412) 487-8211 Fax +1 (412) 486-3157		This document is the property of APG and is considered company confidential. The information in this document is the property of APG and may not be used, reproduced, or distributed in whole or in part without the prior written permission of APG		TITLE:	
				DRAWN		NAME		www.apgvision.com		PTU-BG (Ms QX-830 SII MLL12)		DWG NO.	
				CHK'D		SIGNATURE		MATERIAL:		PTU-BG ASSY		A3	
				APP'VD		DATE		304 STAINLESS STEEL		SCALE: 1:2		SHEET 1 OF 2	
				MFG				WEIGHT:					
				Q.A									
				NOTES:									
NO.		CHANGE		DATE		INIT.							



				UNLESS OTHERWISE SPECIFIED: DIMENSIONS ARE IN INCHES SURFACE FINISH: TOLERANCES: .000= +/- 0.005" .00= +/- 0.010"		FINISH: <b>BURNISHED</b>		Allison Park Group, Inc. (APG) 4055 Alpha Drive Allison Park, PA 15101 USA		DO NOT SCALE DRAWING		REVISION	
				LINEAR:		DEBUR AND BREAK SHARP EDGES		Phone +1 (412) 487-8211 Fax +1 (412) 486-3157		This document is the property of APG and is considered company confidential. The information in this document is the property of APG and may not be used, reproduced, or distributed in whole or in part without the prior written permission of APG			
				DRAWN		SIGNATURE		www.apgvision.com		TITLE: <b>PTU-BG (Ms QX-830 SII MLL12)</b>			
				CHK'D		DATE		MATERIAL: 304 STAINLESS STEEL		DWG NO.		A3	
				APPVD				WEIGHT:		SCALE:1:2		SHEET 2 OF 2	
				MFG				NOTES:					
				Q.A									
				NO.		CHANGE							
				DATE		INIT.							

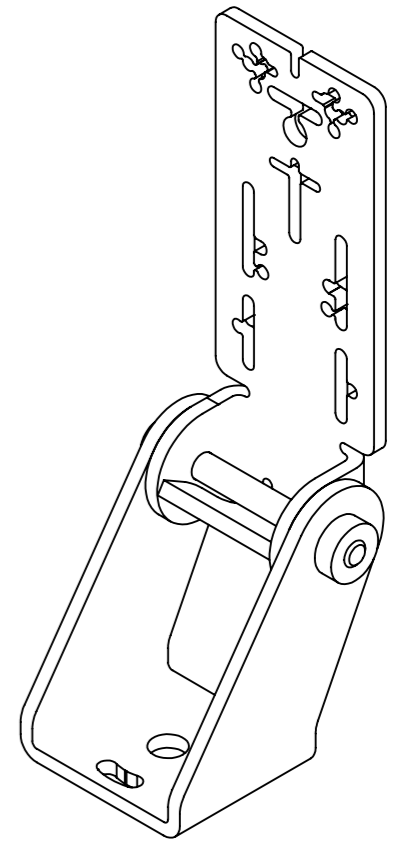
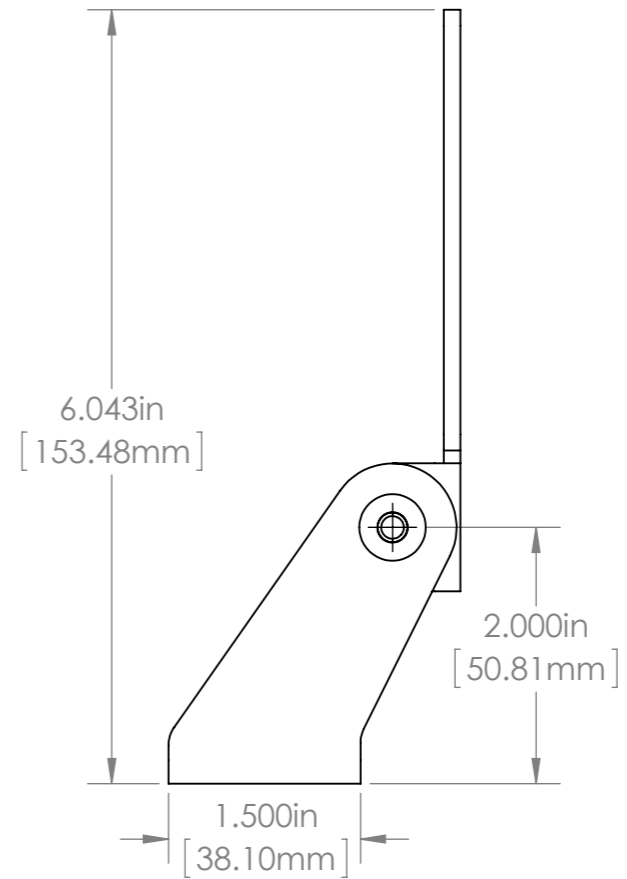
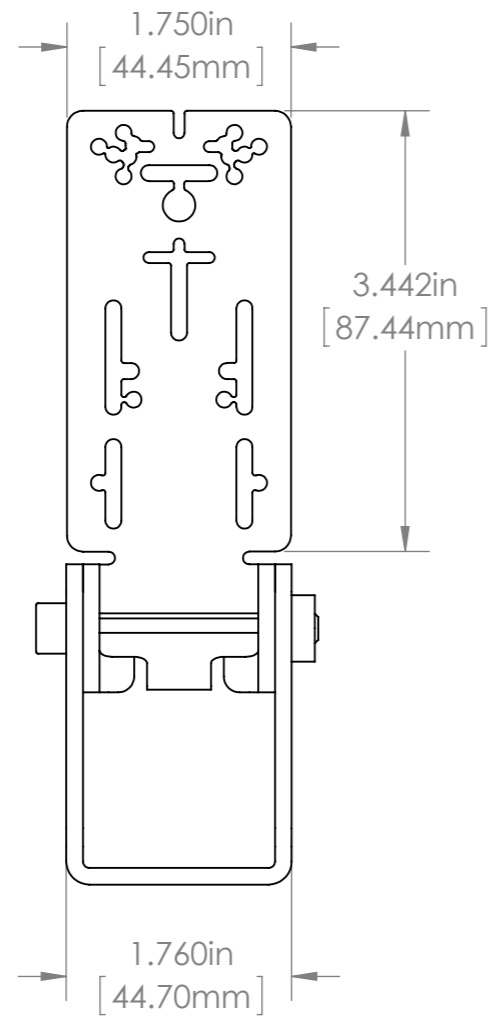
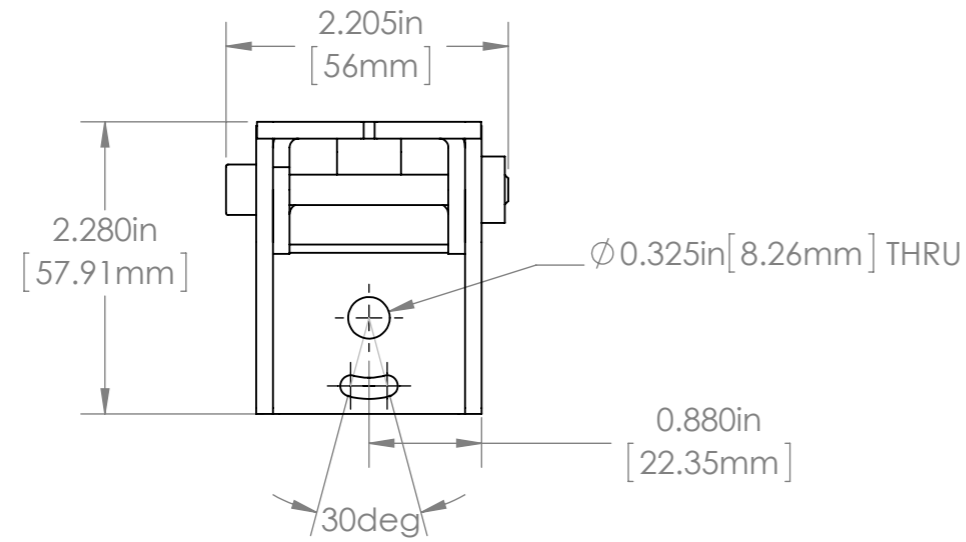


				UNLESS OTHERWISE SPECIFIED: DIMENSIONS ARE IN INCHES SURFACE FINISH: TOLERANCES: .000= +/- 0.005" .00= +/- 0.010"		FINISH: <b>BURNISHED</b> DEBUR AND BREAK SHARP EDGES		Allison Park Group, Inc. (APG) 4055 Alpha Drive Allison Park, PA 15101 USA		DO NOT SCALE DRAWING		REVISION	
				LINEAR:				Phone +1 (412) 487-8211 Fax +1 (412) 486-3157		This document is the property of APG and is considered company confidential. The information in this document is the property of APG and may not be used, reproduced, or distributed in whole or in part without the prior written permission of APG			
				DRAWN		SIGNATURE		www.apgvision.com		TITLE: <b>PTU-BH (QX Hawk)</b>			
				SCHUBERT		5/2/2012		MATERIAL: 304 STAINLESS STEEL		DWG NO. <b>PTU-BH ASSY</b>			
				CHK'D				WEIGHT:		SCALE: 1:2			
				APP'VD				SHEET 1 OF 2		A3			
				MFG									
				Q.A									
				NOTES:									
				NO.		CHANGE		DATE		INIT.			

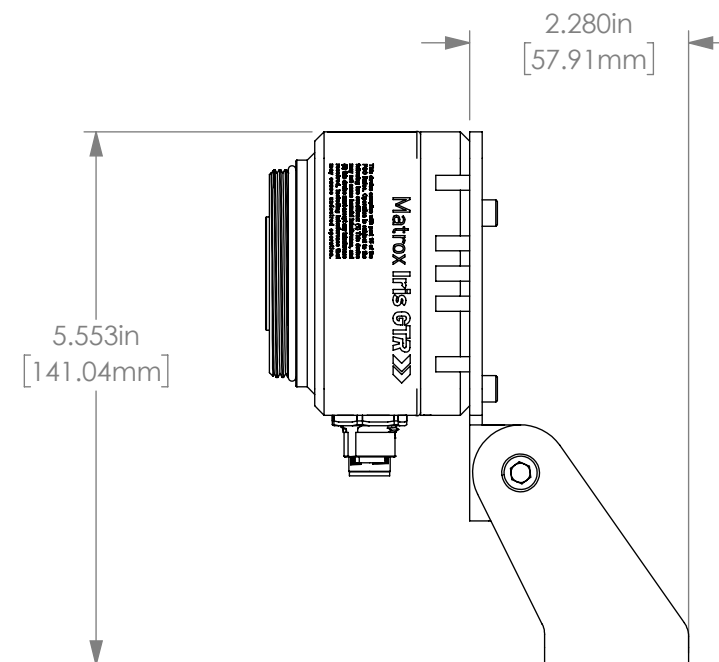
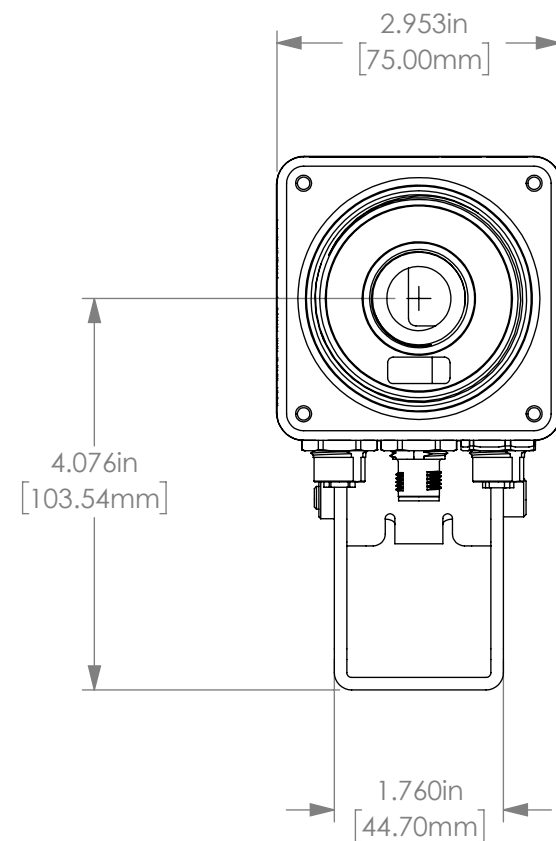
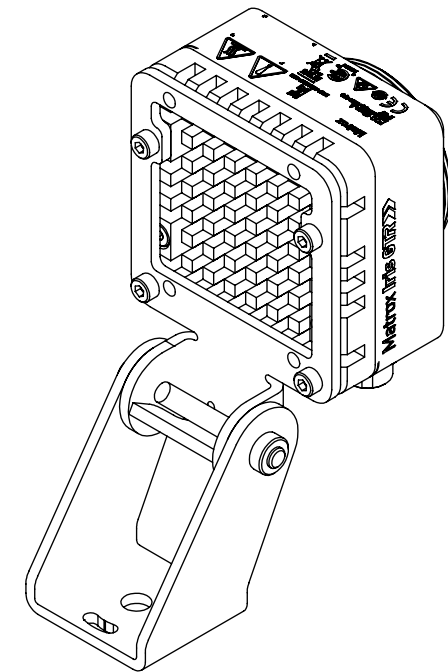
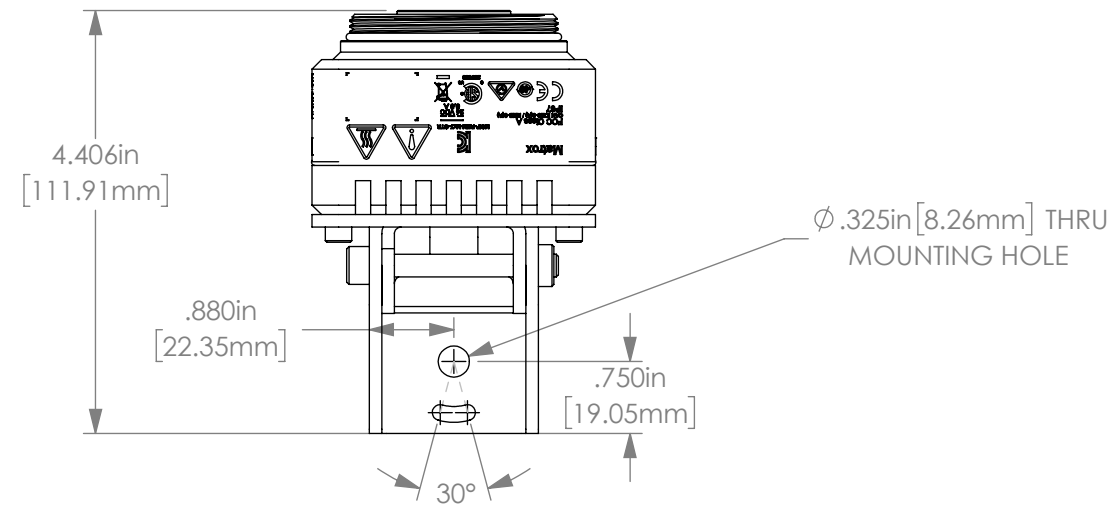


		UNLESS OTHERWISE SPECIFIED: DIMENSIONS ARE IN INCHES SURFACE FINISH: TOLERANCES: .000= +/- 0.005" .00= +/- 0.010"		FINISH: BURNISHED		Allison Park Group, Inc. (APG) 4055 Alpha Drive Allison Park, PA 15101 USA	DO NOT SCALE DRAWING		REVISION		
		LINEAR:		DEBUR AND BREAK SHARP EDGES			This document is the property of APG and is considered company confidential. The information in this document is the property of APG and may not be used, reproduced, or distributed in whole or in part without the prior written permission of APG				
						Phone +1 (412) 487-8211 Fax +1 (412) 486-3157		TITLE: PTU-BH (QX Hawk)			
						www.apgvision.com					
						MATERIAL: 304 STAINLESS STEEL		DWG NO. PTU-BH ASSY		A3	
						WEIGHT:		SCALE:1:2		SHEET 2 OF 2	
NO.	CHANGE	DATE	INIT.								





				UNLESS OTHERWISE SPECIFIED: DIMENSIONS ARE IN INCHES SURFACE FINISH: TOLERANCES: .000= +/- 0.005" .00= +/- 0.010"		FINISH: DEBUR AND BREAK SHARP EDGES		Allison Park Group, Inc. (APG) 4055 Alpha Drive Allison Park, PA 15101 USA		DO NOT SCALE DRAWING		REVISION	
				LINEAR:				Phone +1 (412) 487-8211 Fax +1 (412) 486-3157		This document is the property of APG and is considered company confidential. The information in this document is the property of APG and may not be used, reproduced, or distributed in whole or in part without the prior written permission of APG		TITLE:	
				DRAWN		NAME		www.apgvision.com		PTU-BQ			
				CHK'D		SIGNATURE		MATERIAL: 304 STAINLESS STEEL		DWG NO.		A3	
				APP'VD		DATE		WEIGHT:		SCALE: 1:2		SHEET 1 OF 1	
				MFG				MATERIAL THICKNESS 10 GAUGE (0.130")		PTU-BQ			
				Q.A									
				NOTES:									
NO.	CHANGE	DATE	INIT.										



TOLERANCES UNLESS OTHERWISE SPECIFIED		SHEET METAL	
MACHINING		SHEET METAL	
XX	0.0300	XX	± 0.0
X.XX	0.0100	X.XX	± 0.020
X.XXX	0.0050	X.XXX	NOTED
X.XXXX	0.0025	ANGULAR	0.5°
ANGULAR	0.5°	DEBURR	ALL EDGES

THIS PRINT IS THE PROPERTY OF ALLISON PARK GROUP. THE INFORMATION CONTAINED HEREIN IS CONFIDENTIAL. IT IS NOT TRANSFERABLE. IT IS FURNISHED WITH THE CLEAR UNDERSTANDING THAT IT IS NOT TO BE TRACED, REPRODUCED OR USED IN ANY PROCESS OF MANUFACTURING WITHOUT WRITTEN PERMISSION FROM THE OWNER AND IS RETURNABLE UPON DEMAND. ANY INFRINGEMENT UPON THE PATENT RIGHTS SHOWN HEREIN, WHETHER IN PART OR WHOLE, WILL BE PROSECUTED.

AS PART OF OUR POLICY OF CONTINUING DEVELOPMENT, ALLISON PARK GROUP RESERVES THE RIGHT TO ALTER SPECIFICATIONS WITHOUT PRIOR NOTICE.



Allison Park Group, Inc. (APG)  
4055 Alpha Drive  
Allison Park, PA 15101 USA  
Phone +1 (412) 487-8211  
Fax +1 (412) 486-3157

DESCRIPTION: <b>PTU-BU (Matrox Iris GTR)</b>			
MATERIAL: <b>304 STAINLESS STEEL</b>		APPROX. WEIGHT <b>0.616</b>	
FINISH:	DATE:	SCALE:	SHT-SIZE:
DRAWN BY: <b>OLSON</b>	DATE: <b>3/7/2019</b>	SCALE: <b>NTS</b>	SHT-SIZE: <b>B</b>
CHECKED BY:	DATE:	PART NUMBER:	REF. NUMBER:
APPROVED BY:	DATE:	<b>PTU-BU</b>	REVISION: <b>A</b>
Sheet 1 of 1			



4

3

2

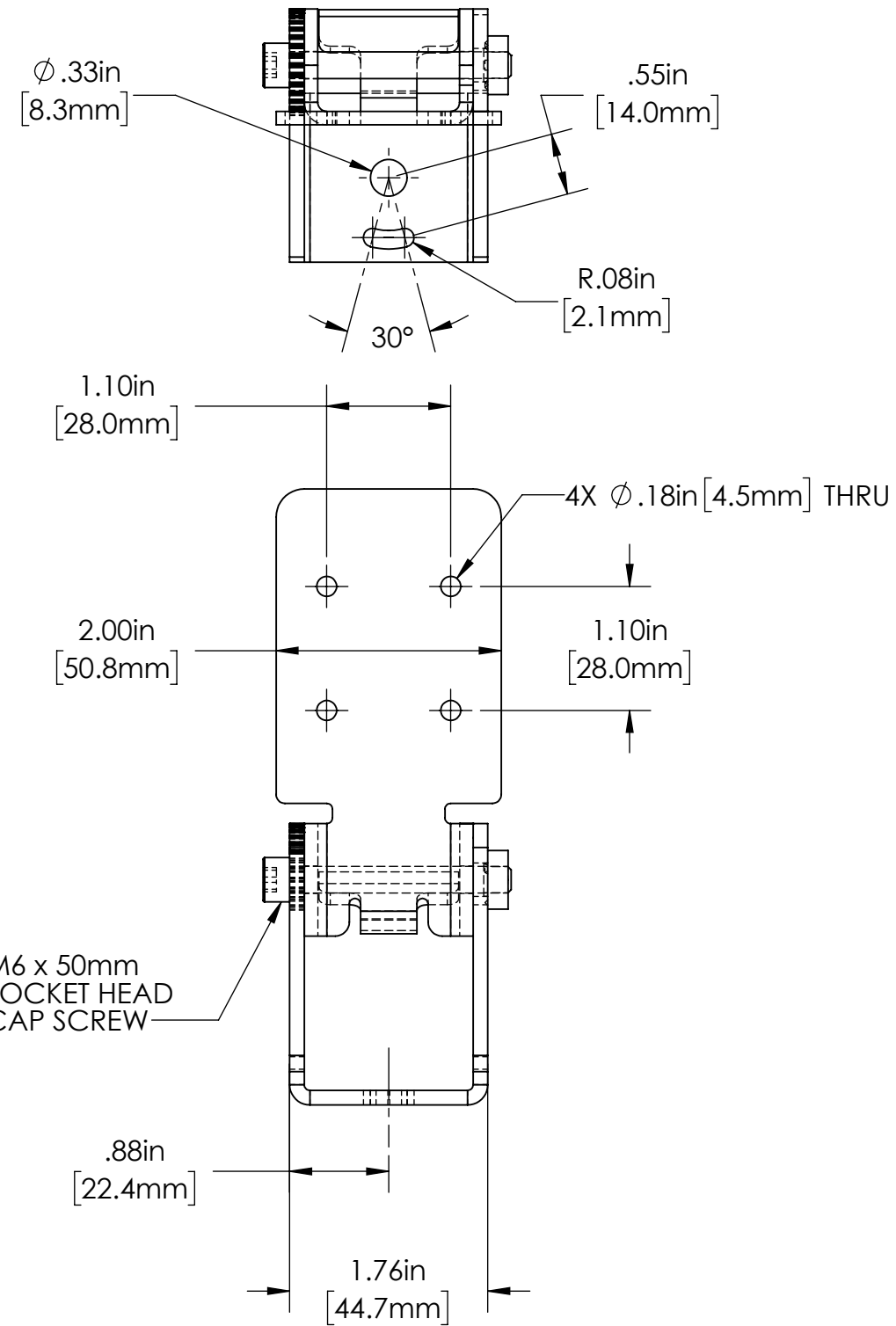
1

REVISIONS

ZONE	REV.	DESCRIPTION	DATE	APPROVED
	A	RELEASED FOR PRODUCTION	01/30/2020	GD

B

B



M6 x 50mm  
SOCKET HEAD  
CAP SCREW

5.47in  
[139.0mm]

BRACKET ADJUSTABLE  
THROUGH WIDE RANGE  
OF ANGLES

2.00in  
[50.8mm]

A

A

TOLERANCES UNLESS OTHERWISE SPECIFIED

MACHINING		SHEET METAL	
X.X	0.0250"	HOLE TO HOLE (SAME SURFACE)	
X.XX	0.0100"	X.X	0.030"
X.XXX	0.0050"	X.XX	0.010"
X.XXXX	0.0005"	X.XXX	0.005"
ANGULAR	0.5°	HOLE TO FOLDED EDGE	
DEBURR ALL		X.X	0.035"
		X.XX	0.025"
		X.XXX	0.015"
		FOLD TO FOLD	
		X.X	0.045"
		X.XX	0.035"
		X.XXX	0.020"
		ANGULAR 1.0°	

ALL WEIGHTS ARE IN POUNDS

THIS PRINT IS THE PROPERTY OF ALLISON PARK GROUP. THE INFORMATION CONTAINED HEREIN IS CONFIDENTIAL. IT IS NOT TRANSFERABLE. IT IS FURNISHED WITH THE CLEAR UNDERSTANDING THAT IT IS NOT TO BE TRACED, REPRODUCED OR USED IN ANY PROCESS OF MANUFACTURING WITHOUT WRITTEN PERMISSION FROM THE OWNER AND IS RETURNABLE UPON DEMAND. ANY INFRINGEMENT UPON THE PATENT RIGHTS SHOWN HEREIN, WHETHER IN PART OR WHOLE, WILL BE PROSECUTED.

AS PART OF OUR POLICY OF CONTINUING DEVELOPMENT, ALLISON PARK GROUP RESERVES THE RIGHT TO ALTER SPECIFICATIONS WITHOUT PRIOR NOTICE.



Allison Park Group, Inc (APG)  
4055 Alpha Drive  
Allison Park, PA 15101 USA  
Phone +1 (412) 487-8211  
apgvision.com

DESCRIPTION:  
**PAN AND TILT FOR SR-2000**

MATERIAL: **SEE BOM**

FINISH: **SEE BOM**

DRAWN BY: <b>KENNEDY</b>	DATE: 1/30/2020	SCALE: 1:1.5	SHT-SIZE: B	APPROX. WEIGHT: 0.8535
-----------------------------	--------------------	-----------------	----------------	---------------------------

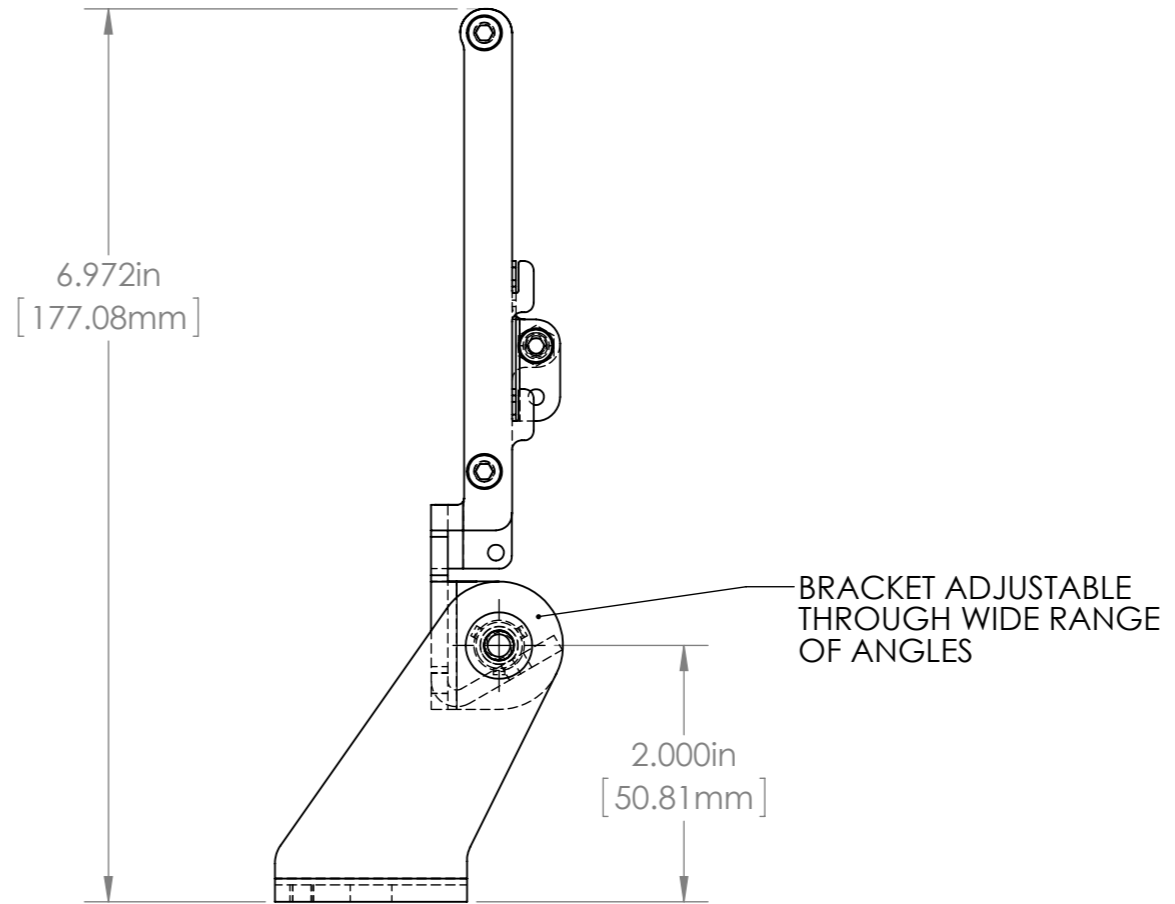
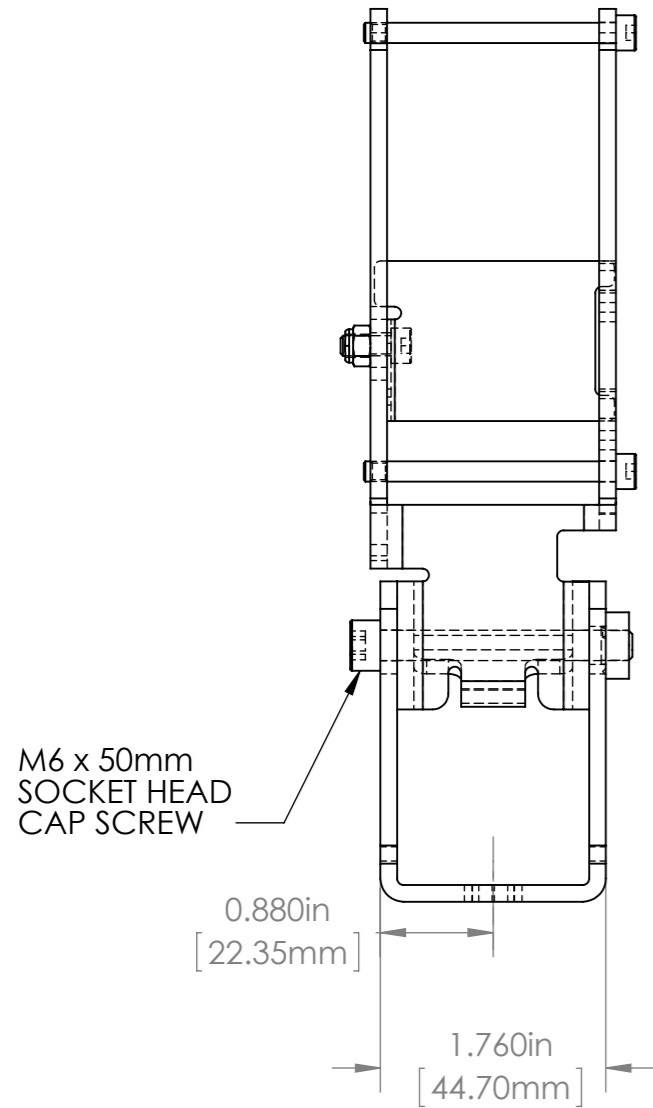
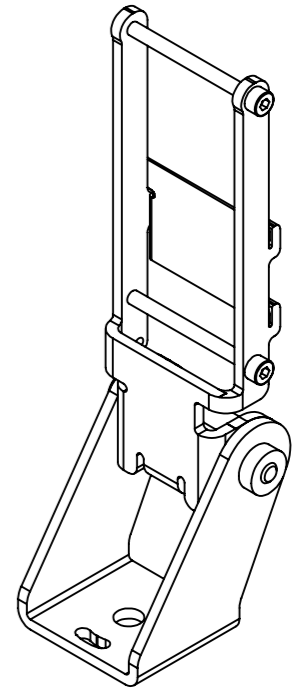
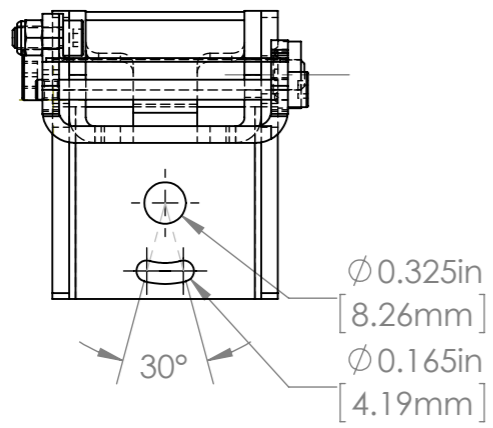
CHECKED BY: GD	DATE: 01/30/2020	PART NUMBER: <b>PTU-BX</b>	REVISION: <b>A</b>
-------------------	---------------------	-------------------------------	-----------------------

4

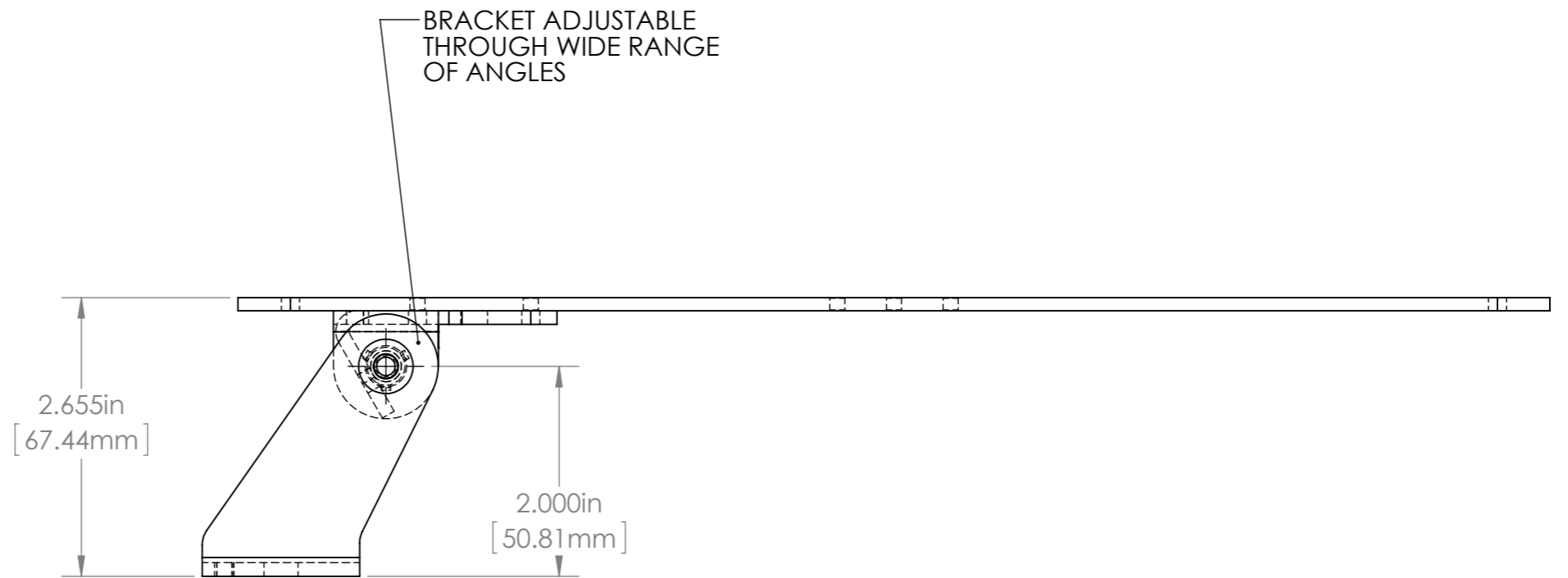
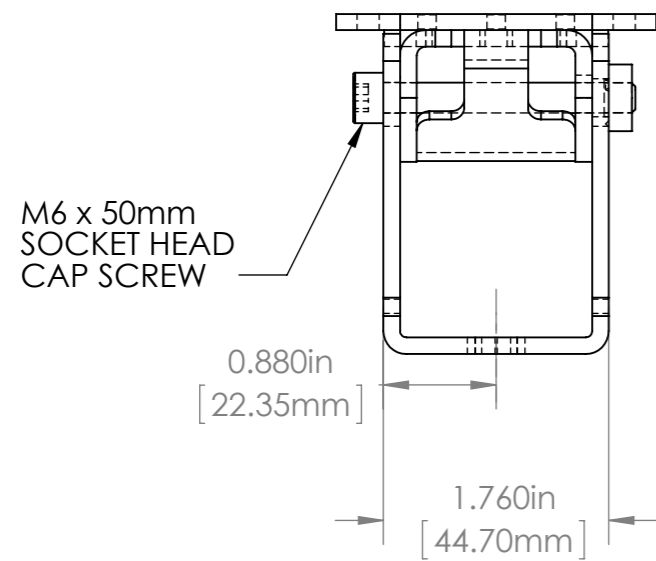
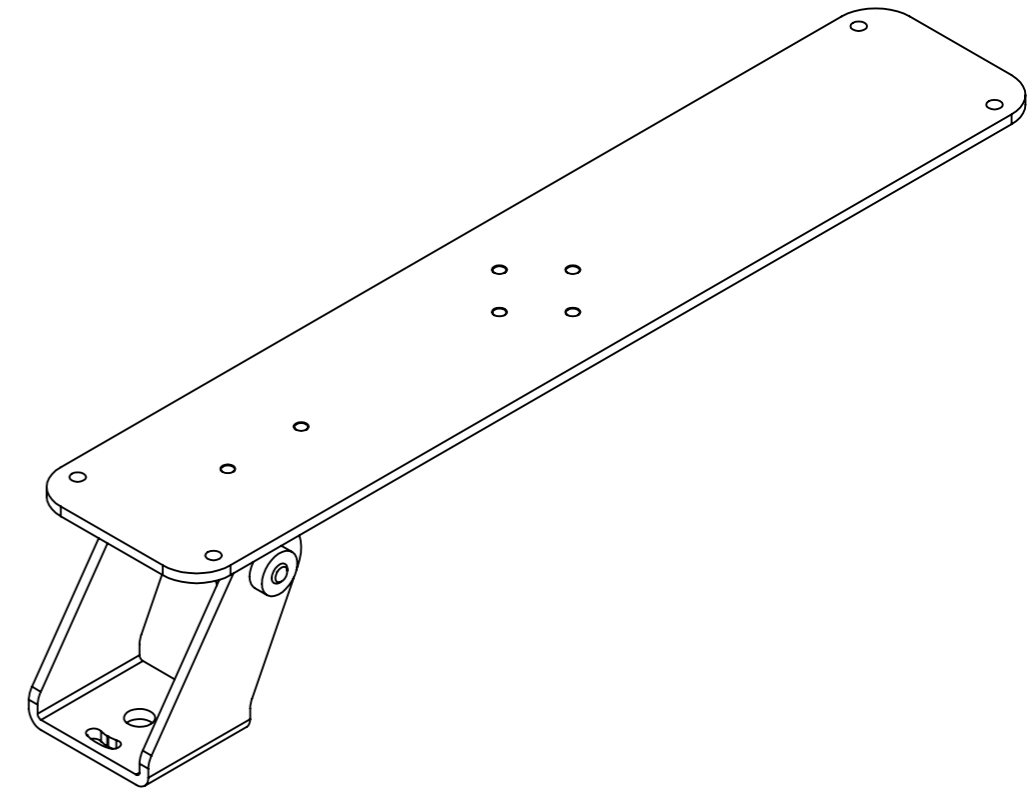
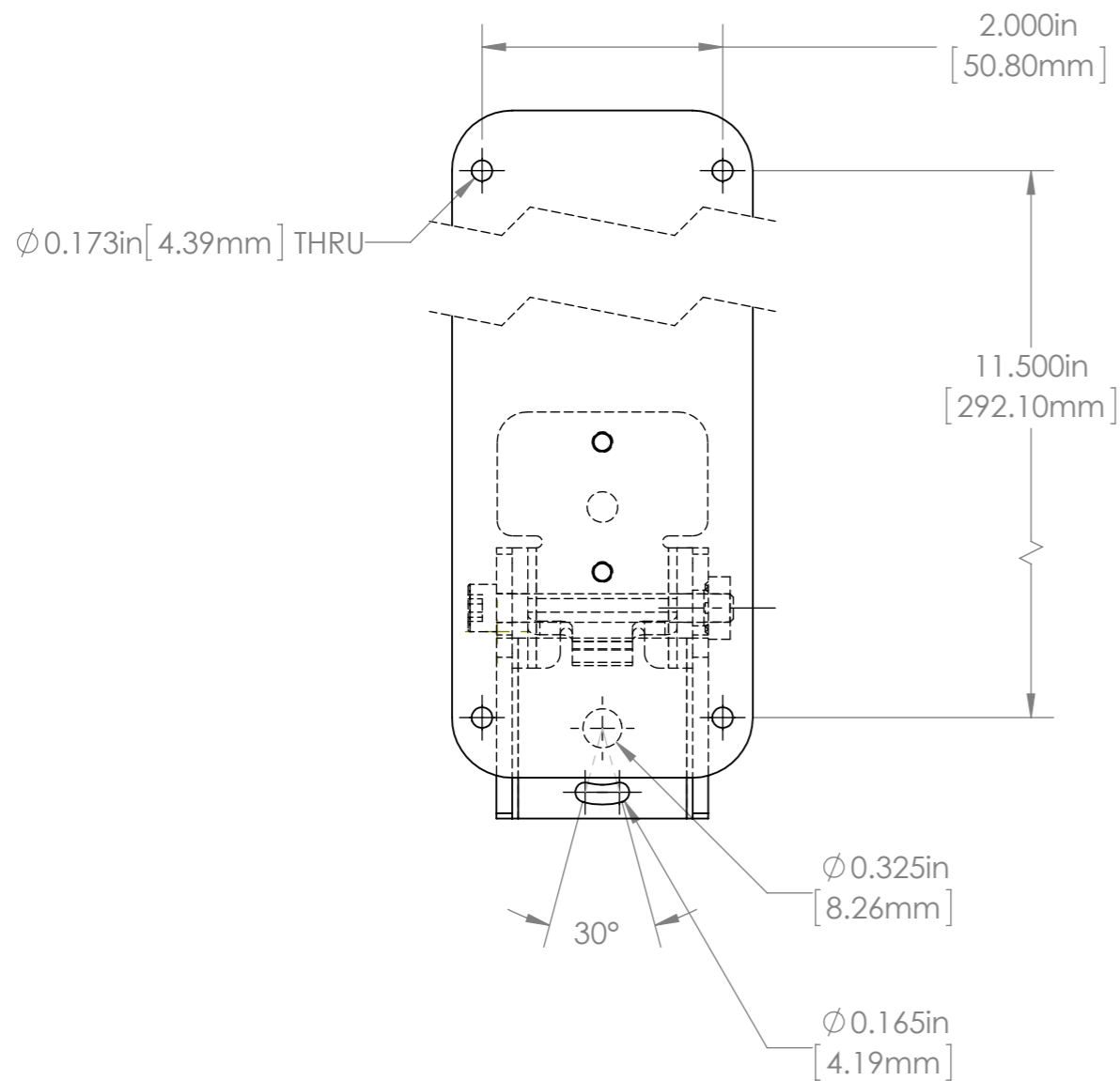
3

2

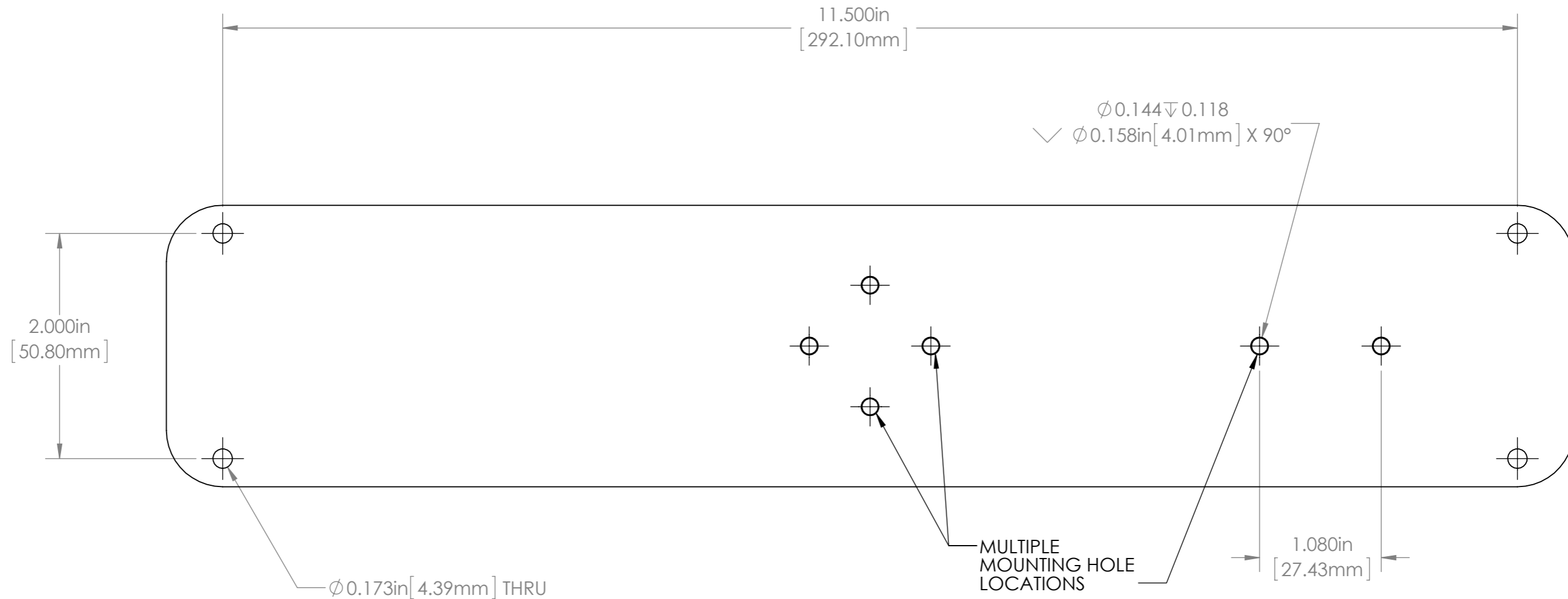
1



				UNLESS OTHERWISE SPECIFIED: DIMENSIONS ARE IN INCHES SURFACE FINISH: TOLERANCES: .000= +/- 0.005" .00= +/- 0.010"		FINISH: <b>BURNISHED</b> DEBUR AND BREAK SHARP EDGES		Allison Park Group, Inc. (APG) 4055 Alpha Drive Allison Park, PA 15101 USA		DO NOT SCALE DRAWING		REVISION	
				LINEAR:				Phone +1 (412) 487-8211 Fax +1 (412) 486-3157		This document is the property of APG and is considered company confidential. The information in this document is the property of APG and may not be used, reproduced, or distributed in whole or in part without the prior written permission of APG		TITLE:	
				DRAWN		NAME		www.apgvision.com		PTU-CA (SICK CVS)			
				CHK'D		SIGNATURE		MATERIAL:		DWG NO.		A3	
				APPVD		DATE		304 Stainless Steel		PTU-CA			
				MFG				WEIGHT:		SCALE: 1:2		SHEET 1 OF 1	
				Q.A									
				NOTES:									
NO.	CHANGE	DATE	INIT.										

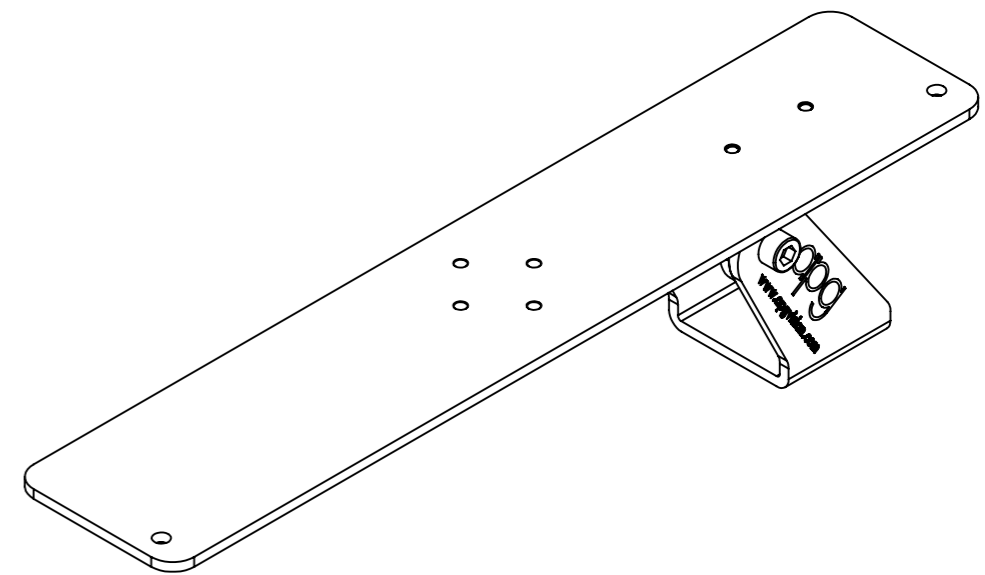
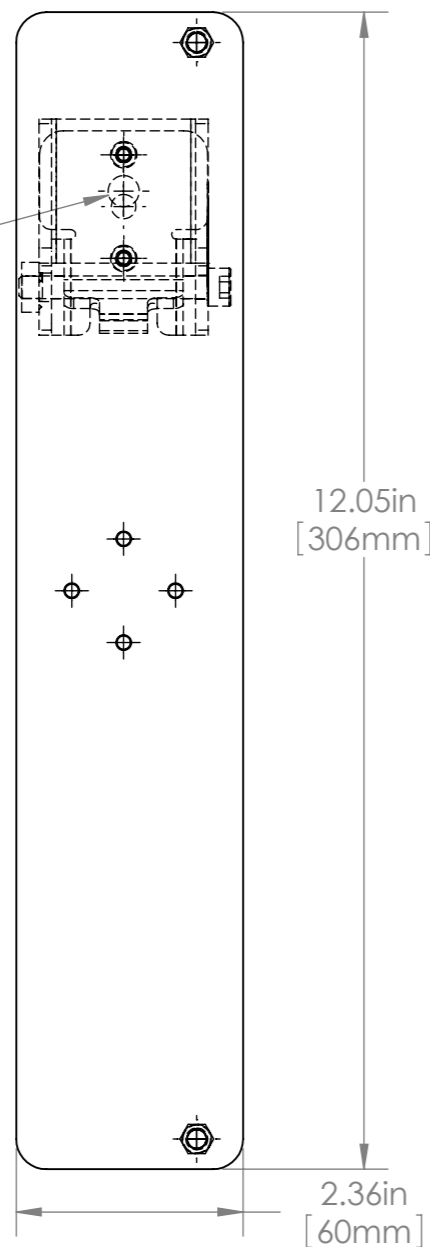


				UNLESS OTHERWISE SPECIFIED: DIMENSIONS ARE IN INCHES SURFACE FINISH: TOLERANCES: .000= +/- 0.005" .00= +/- 0.010"		FINISH: <b>BURNISHED</b>		Allison Park Group, Inc. (APG) 4055 Alpha Drive Allison Park, PA 15101 USA		DO NOT SCALE DRAWING		REVISION	
				LINEAR:		DEBUR AND BREAK SHARP EDGES		Phone +1 (412) 487-8211 Fax +1 (412) 486-3157		This document is the property of APG and is considered company confidential. The information in this document is the property of APG and may not be used, reproduced, or distributed in whole or in part without the prior written permission of APG.			
				DRAWN		SIGNATURE		www.apgvision.com		TITLE: <b>PTU-LA (Spectrum Light Mount)</b>			
				CHK'D		DATE		MATERIAL: 304 Stainless Steel		DWG NO.		A3	
				APPV'D				WEIGHT:		SCALE: 1:2		SHEET 1 OF 2	
				MFG									
				Q.A									
				NOTES:									
NO.	CHANGE	DATE	INIT.										

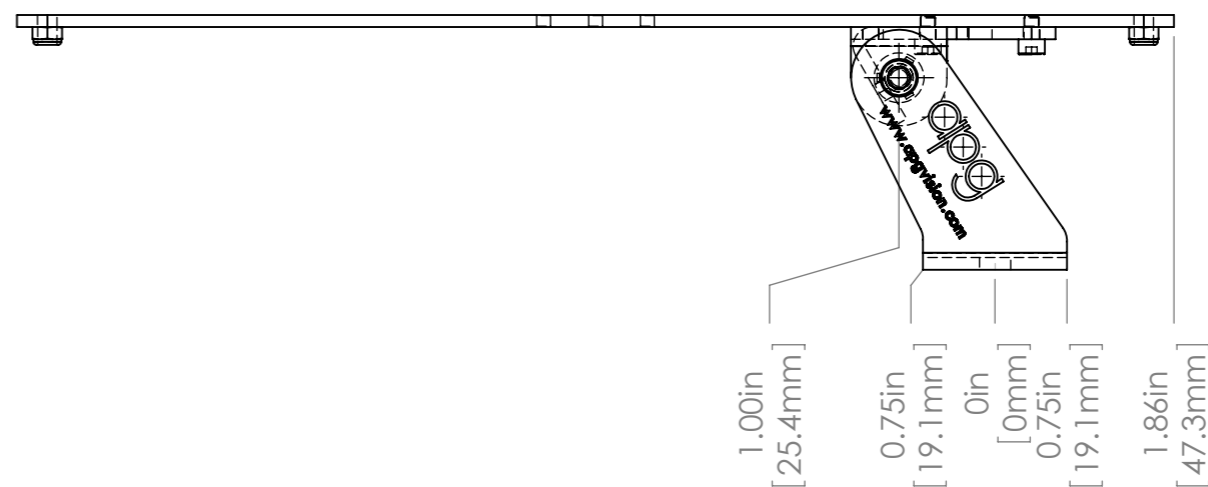
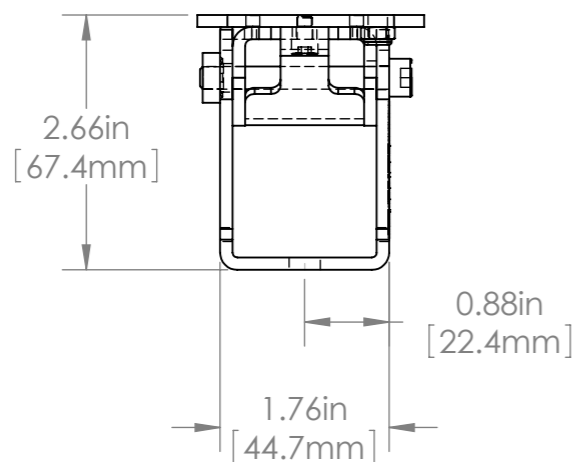


				UNLESS OTHERWISE SPECIFIED: DIMENSIONS ARE IN INCHES SURFACE FINISH: TOLERANCES: .000= +/- 0.005" .00= +/- 0.010"		FINISH: <b>BURNISHED</b>		Allison Park Group, Inc. (APG) 4055 Alpha Drive Allison Park, PA 15101 USA		DO NOT SCALE DRAWING		REVISION	
				LINEAR:		DEBUR AND BREAK SHARP EDGES		Phone +1 (412) 487-8211 Fax +1 (412) 486-3157		This document is the property of APG and is considered company confidential. The information in this document is the property of APG and may not be used, reproduced, or distributed in whole or in part without the prior written permission of APG			
				DRAWN		SIGNATURE		www.apgvision.com		TITLE: <b>PTU-LA (Spectrum Light Mount)</b>			
				SCHUBERT				5/3/2012					
				CHK'D									
				APPV'D									
				MFG									
				Q.A									
				NOTES:						MATERIAL: 304 STAINLESS STEEL		DWG NO. <b>PTU-LA</b>	
										SCALE: 1:2		A3	
										SHEET 2 OF 2			
NO.		CHANGE		DATE		INIT.							

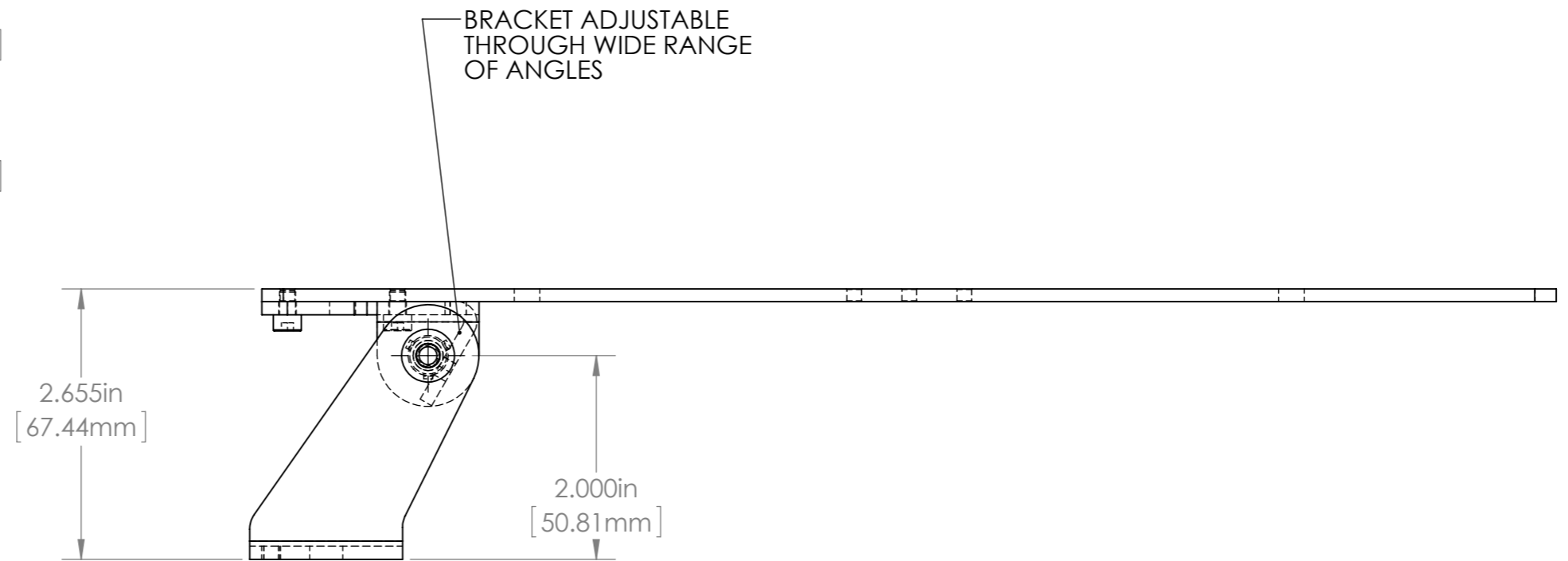
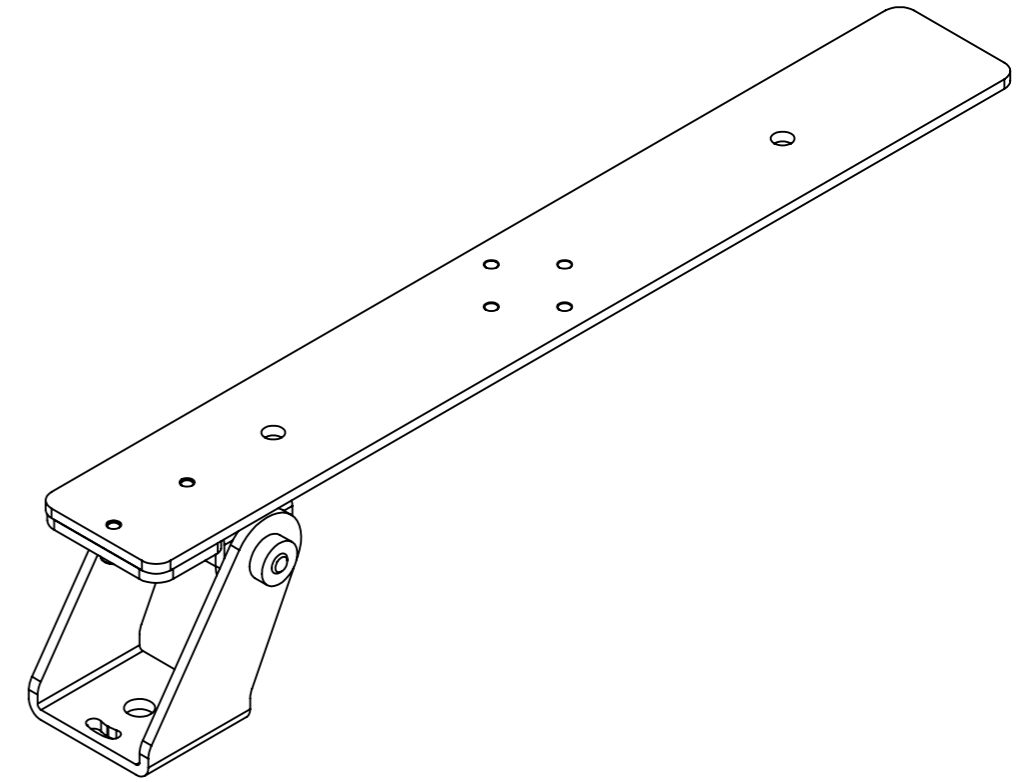
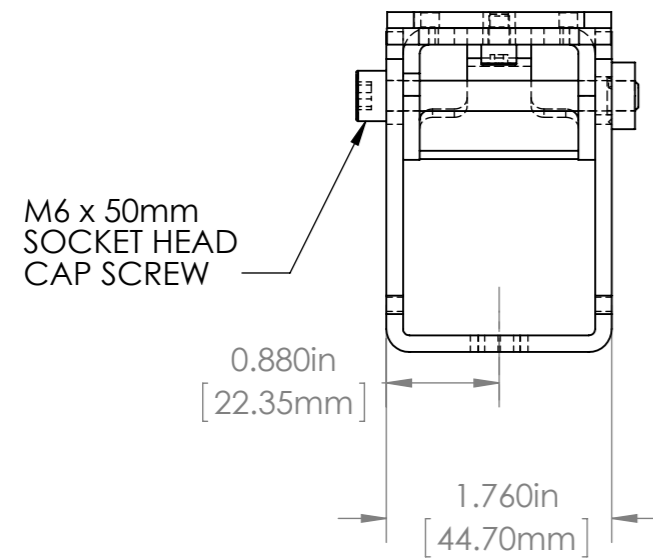
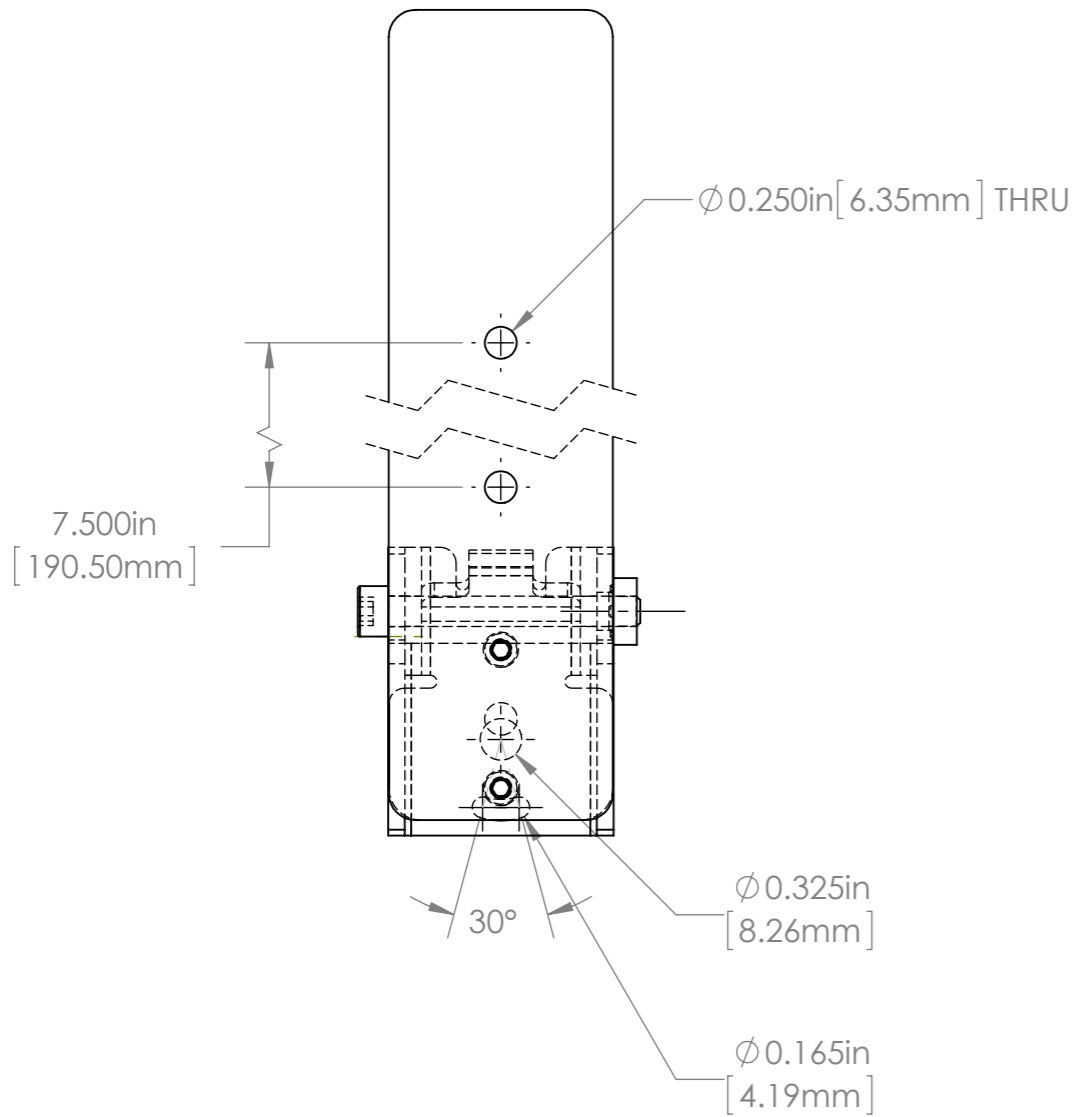
Ø0.33in  
[8.3mm]  
MOUNTING HOLE



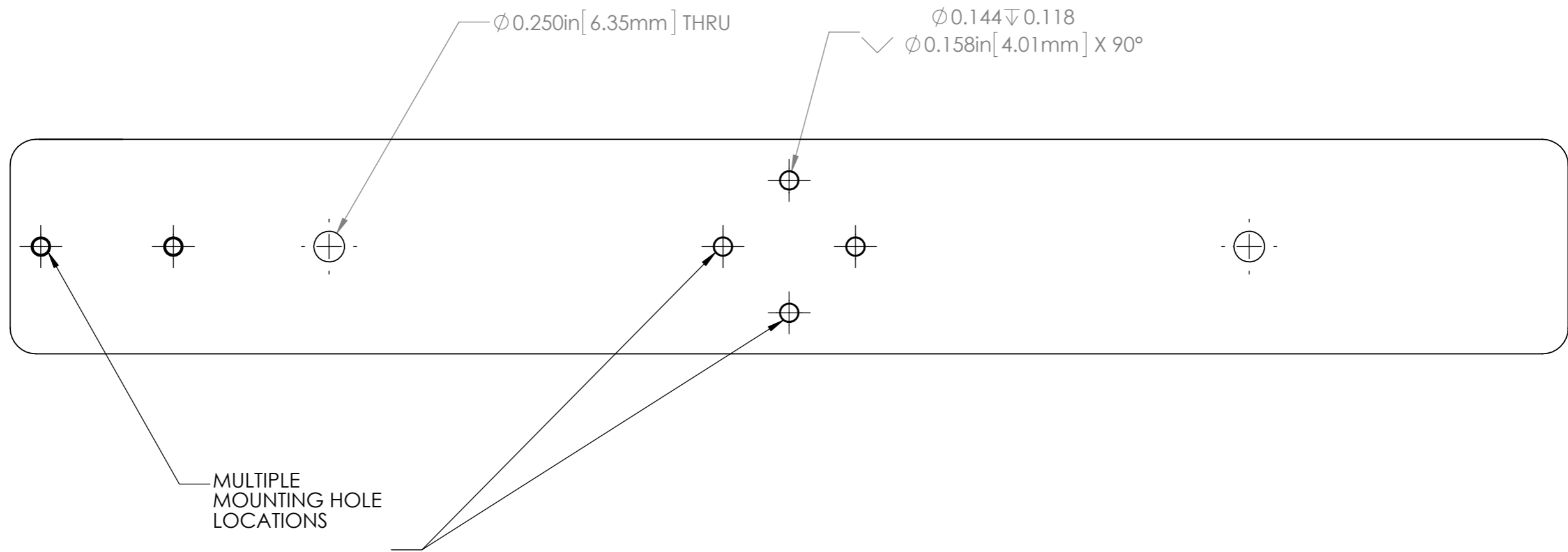
NOTE: STAINLESS STEEL BASE CAN ALSO BE CENTER MOUNTED WITH TILT EITHER PARALLEL TO OR 90 DEGREES TO LIGHT AXIS



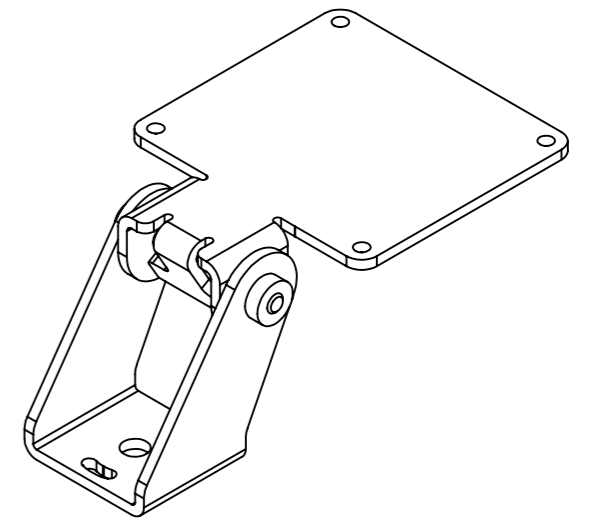
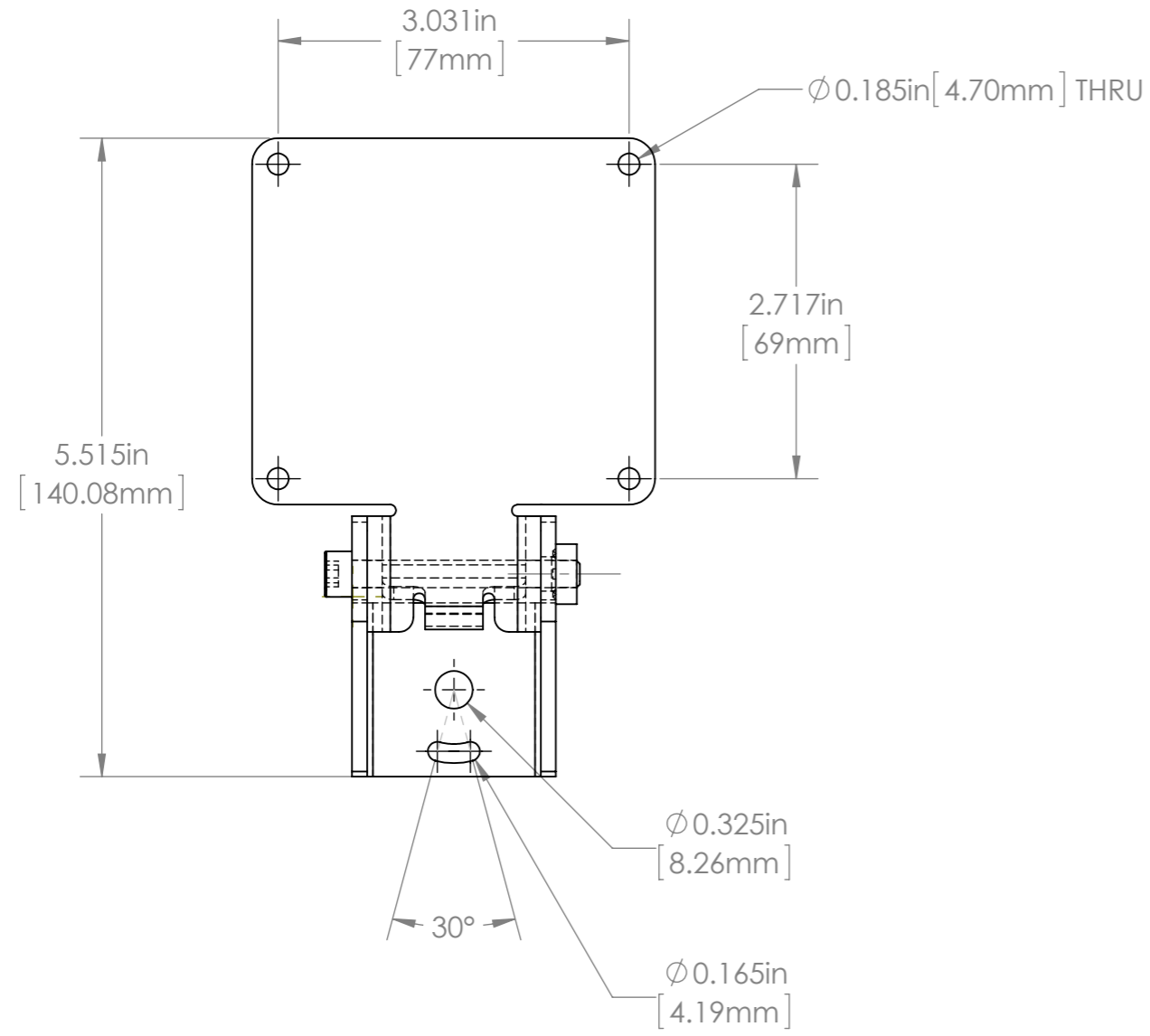
				UNLESS OTHERWISE SPECIFIED: DIMENSIONS ARE IN INCHES SURFACE FINISH: TOLERANCES: .000= +/- 0.005" .00= +/- 0.010"		FINISH: DEBUR AND BREAK SHARP EDGES		Allison Park Group, Inc. (APG) 4055 Alpha Drive Allison Park, PA 15101 USA		DO NOT SCALE DRAWING		REVISION	
				LINEAR:				Phone +1 (412) 487-8211 Fax +1 (412) 486-3157		This document is the property of APG and is considered company confidential. The information in this document is the property of APG and may not be used, reproduced, or distributed in whole or in part without the prior written permission of APG.			
				DRAWN		SIGNATURE		www.apgvision.com		TITLE: <b>PTU-LB ASSY DIMS</b>			
				SCHUBERT		DATE		MATERIAL: 316 STAINLESS STEEL BASE ALUINUM LIGHT MOUNT		DWG NO.		A3	
				CHK'D				WEIGHT:		SCALE:1:5		SHEET 1 OF 1	
				APPVD									
				MFG									
				Q.A									
				NOTES:									
NO.		CHANGE		DATE		INIT.							



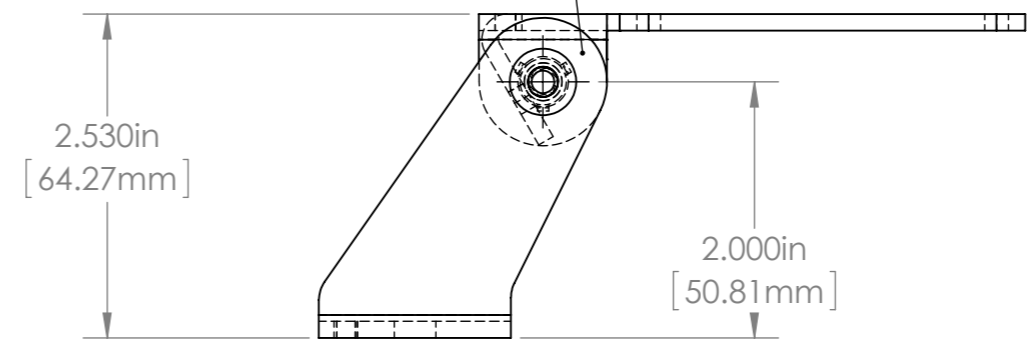
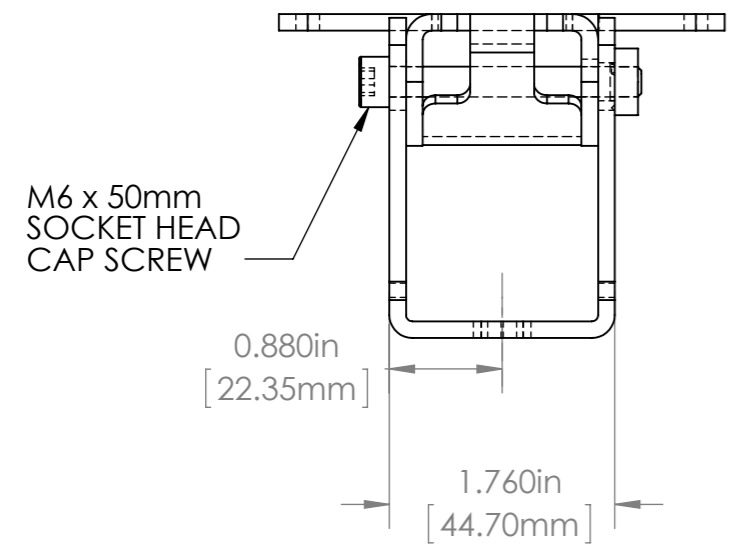
				UNLESS OTHERWISE SPECIFIED: DIMENSIONS ARE IN INCHES SURFACE FINISH: TOLERANCES: .000= +/- 0.005" .00= +/- 0.010"		FINISH: <b>BURNISHED</b>		Allison Park Group, Inc. (APG) 4055 Alpha Drive Allison Park, PA 15101 USA		DO NOT SCALE DRAWING		REVISION	
				LINEAR:		DEBUR AND BREAK SHARP EDGES		Phone +1 (412) 487-8211 Fax +1 (412) 486-3157		This document is the property of APG and is considered company confidential. The information in this document is the property of APG and may not be used, reproduced, or distributed in whole or in part without the prior written permission of APG.			
				DRAWN		SIGNATURE		www.apgvision.com		TITLE: <b>PTU-LC (AI 6212 Light Mount)</b>			
				CHK'D		DATE		MATERIAL: 304 Stainless Steel		DWG NO.		A3	
				APP'VD				WEIGHT:		SCALE: 1:2		SHEET 1 OF 2	
				MFG									
				Q.A									
				NOTES:									
NO.	CHANGE	DATE	INIT.										



				UNLESS OTHERWISE SPECIFIED: DIMENSIONS ARE IN INCHES SURFACE FINISH: TOLERANCES: .000= +/- 0.005" .00= +/- 0.010"		FINISH: <b>BURNISHED</b>		DO NOT SCALE DRAWING		REVISION	
				LINEAR:		DEBUR AND BREAK SHARP EDGES		Allison Park Group, Inc. (APG) 4055 Alpha Drive Allison Park, PA 15101 USA		This document is the property of APG and is considered company confidential. The information in this document is the property of APG and may not be used, reproduced, or distributed in whole or in part without the prior written permission of APG	
				DRAWN		SIGNATURE		Phone +1 (412) 487-8211 Fax +1 (412) 486-3157		TITLE: <b>PTU-LC (AI 6212 Light Mount)</b>	
				SCHUBERT				www.apgvision.com			
				CHK'D				MATERIAL: 304 STAINLESS STEEL		DWG NO. <b>PTU-LC</b>	
				APPV'D				WEIGHT:		SCALE: 1:2	
				MFG						SHEET 2 OF 2	
				Q.A						A3	
				NOTES:							
NO.	CHANGE	DATE	INIT.								



BRACKET ADJUSTABLE THROUGH WIDE RANGE OF ANGLES



				UNLESS OTHERWISE SPECIFIED: DIMENSIONS ARE IN INCHES SURFACE FINISH: TOLERANCES: .000= +/- 0.005" .00= +/- 0.010"	FINISH: <b>BURNISHED</b>	Allison Park Group, Inc. (APG) 4055 Alpha Drive Allison Park, PA 15101 USA  Phone +1 (412) 487-8211 Fax +1 (412) 486-3157  www.apgvision.com	DO NOT SCALE DRAWING	REVISION	
				LINEAR:	DEBUR AND BREAK SHARP EDGES		This document is the property of APG and is considered company confidential. The information in this document is the property of APG and may not be used, reproduced, or distributed in whole or in part without the prior written permission of APG.		
						MATERIAL: 304 Stainless Steel	TITLE: <b>PTU-LD (Smart Vision Lights S75)</b>		
							DWG NO. <b>PTU-LD</b>	A3	
								SCALE: 1:2	SHEET 1 OF 1
NO.	CHANGE	DATE	INIT.	NOTES:					



4

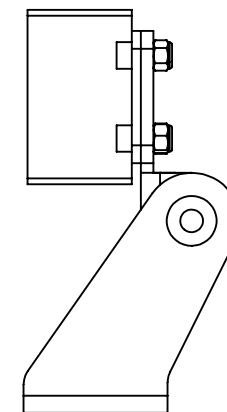
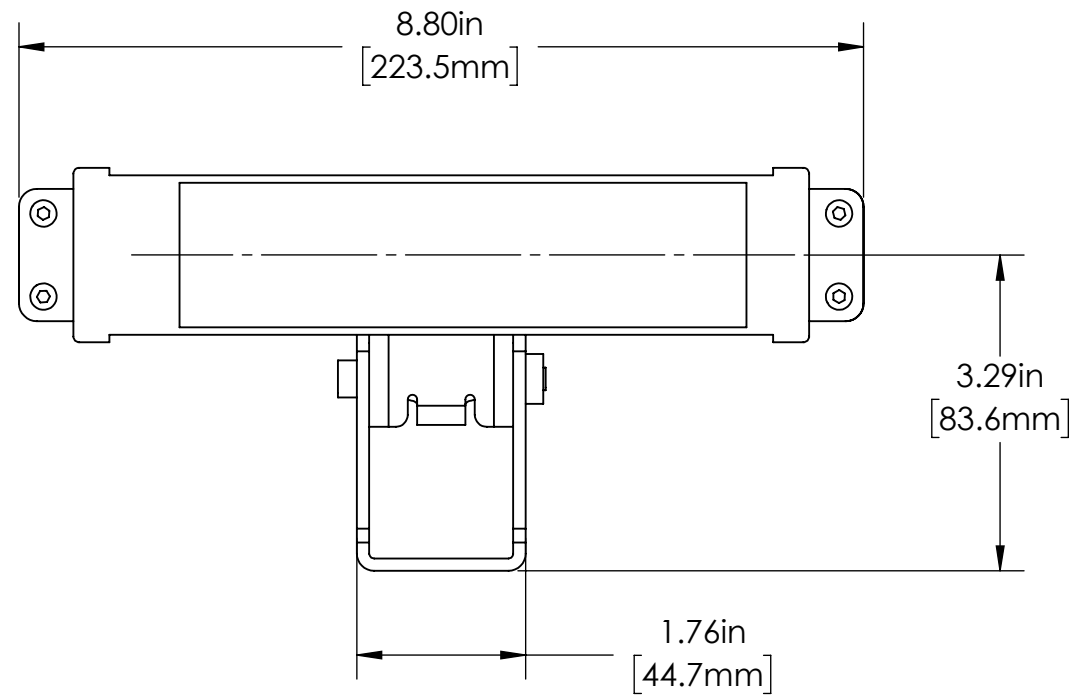
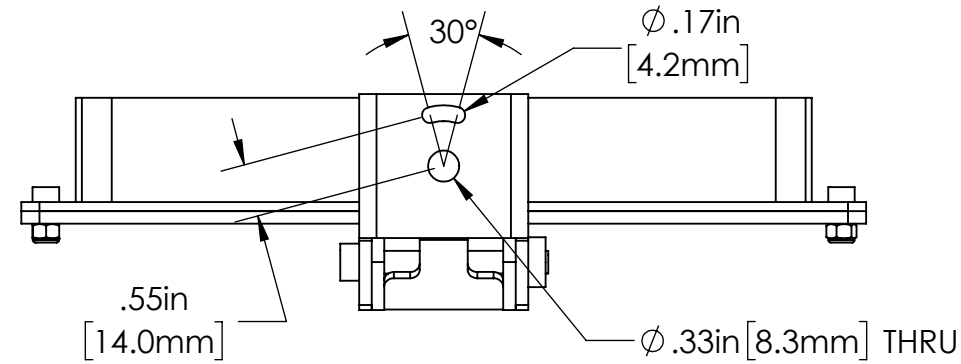
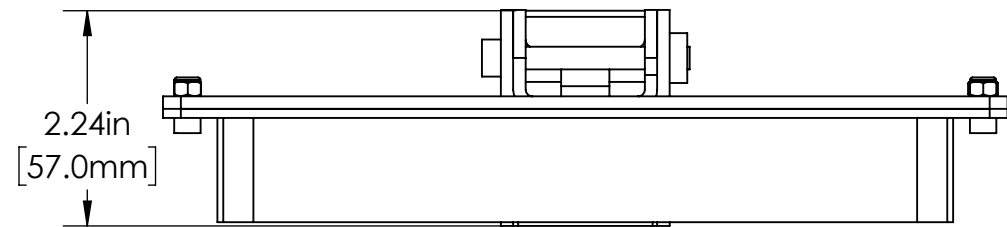
3

2

1

REVISIONS

ZONE	REV.	DESCRIPTION	DATE	APPROVED
	A		7/30/2019	



TOLERANCES UNLESS OTHERWISE SPECIFIED

MACHINING		SHEET METAL	
X.X	0.0250"	HOLE TO HOLE (SAME SURFACE)	
X.XX	0.0100"	X.X	0.030"
X.XXX	0.0050"	X.XX	0.010"
X.XXXX	0.0005"	X.XXX	0.005"
ANGULAR	0.5°	HOLE TO FOLDED EDGE	
DEBURR ALL		X.X	0.035"
		X.XX	0.025"
		X.XXX	0.015"
		FOLD TO FOLD	
		X.X	0.045"
		X.XX	0.035"
		X.XXX	0.020"
		ANGULAR 1.0°	



THIS PRINT IS THE PROPERTY OF ALLISON PARK GROUP. THE INFORMATION CONTAINED HEREIN IS CONFIDENTIAL. IT IS NOT TRANSFERABLE. IT IS FURNISHED WITH THE CLEAR UNDERSTANDING THAT IT IS NOT TO BE TRACED, REPRODUCED OR USED IN ANY PROCESS OF MANUFACTURING WITHOUT WRITTEN PERMISSION FROM THE OWNER AND IS RETURNABLE UPON DEMAND. ANY INFRINGEMENT UPON THE PATENT RIGHTS SHOWN HEREIN, WHETHER IN PART OR WHOLE, WILL BE PROSECUTED.

AS PART OF OUR POLICY OF CONTINUING DEVELOPMENT, ALLISON PARK GROUP RESERVES THE RIGHT TO ALTER SPECIFICATIONS WITHOUT PRIOR NOTICE.



Allison Park Group, Inc (APG)  
4055 Alpha Drive  
Allison Park, PA 15101 USA  
Phone +1 (412) 487-8211  
apgvision.com

DESCRIPTION: <b>PTU-LK ASSY</b>				
MATERIAL:				
FINISH:				
DRAWN BY: RS	DATE: 9/27/2019	SCALE: 1:2	SHT-SIZE: B	APPROX. WEIGHT
CHECKED BY:	DATE:	PART NUMBER: <b>PTU-LK (PTU-LK EL150) ASSY DIMS</b>		REVISION: A



For more information please contact:

**BOCK OPTRONICS INC.**  
14 Steinway Blvd., Unit 7  
Toronto, Ontario M9W 6M6

Tel: (416) 674-2804  
sales@bockoptronics.ca  
www.bockoptronics.ca

4

3

2

1