



POWER SUPPLIES & CUSTOM I/O BREAKOUT CABLES FOR MACHINE VISION

Components Express Inc. offers three different style power supplies. All power supplies are available with either 4, 6, or 12 pin Hirose connectors. Custom power connectors are also available for various applications upon request.



Desktop part #PS-12-12P

Input: 100~240 VAC
Output: 12VDC, 1.25A

Description:

The SPU16A series of AC/DC switching mode power supplies provide 15 Watts of continuous output power and is well-suited for a variety of applications. All supplies are UL 94V-1 min compliant. All models meet FCC Part-15 class B and CISPR-22 class B emission. Limits and are designed to comply with UL/c-UL (UL 60950-1), TUV/GS (EN 60950-1) and new CE requirements. All units are 100% burn-in and tested.



Universal Wall Mount part #UPS-12-12P

Input: 100~240 VAC
Output: 12VDC, 1.25A

HIGHER WATTAGE MODELS AVAILABLE



Wall Mount part #WPS-12-12P

Input: 120 VAC
Output: 12VDC, 800mA



For more information please contact:

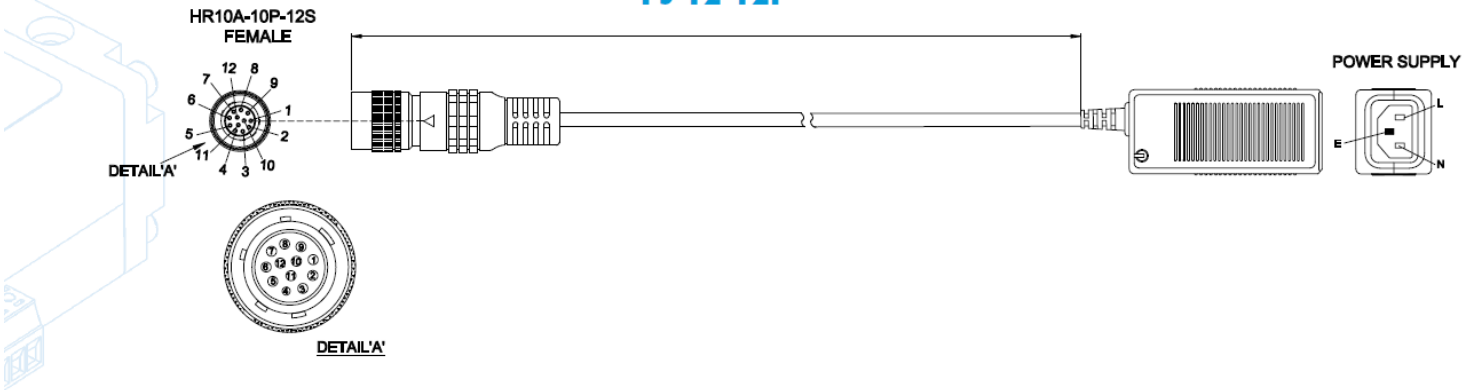
BOCK OPTRONICS INC.
14 Steinway Blvd., Unit 7
Toronto, Ontario M9W 6M6

Tel: (416) 674-2804
sales@bockoptronics.ca
www.bockoptronics.ca

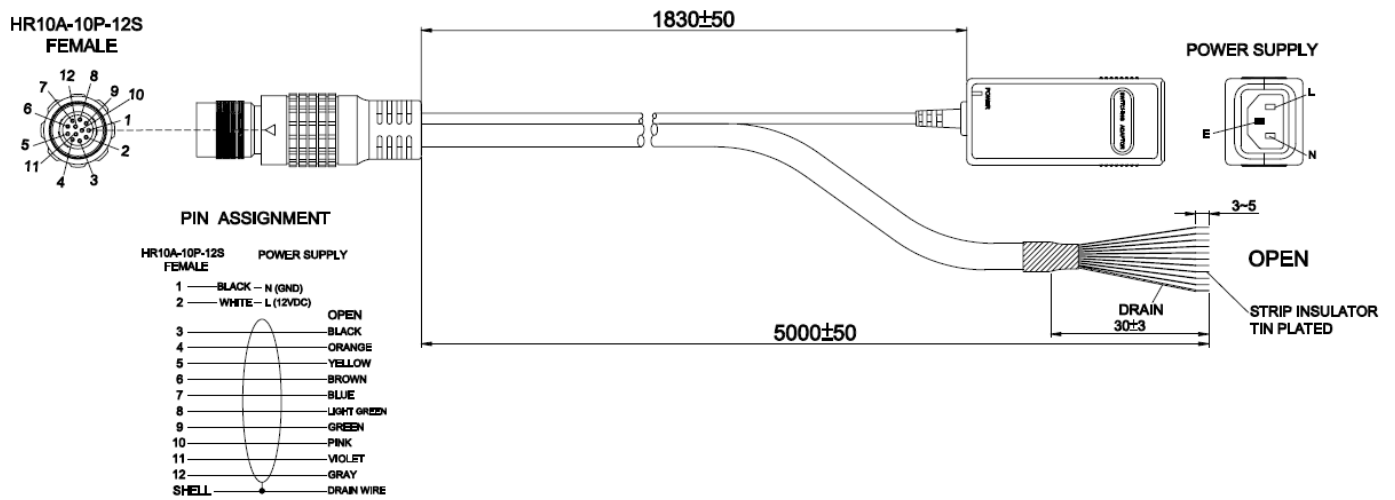
See page 41 – 44 for profile drawings.

Temp 6-6-19

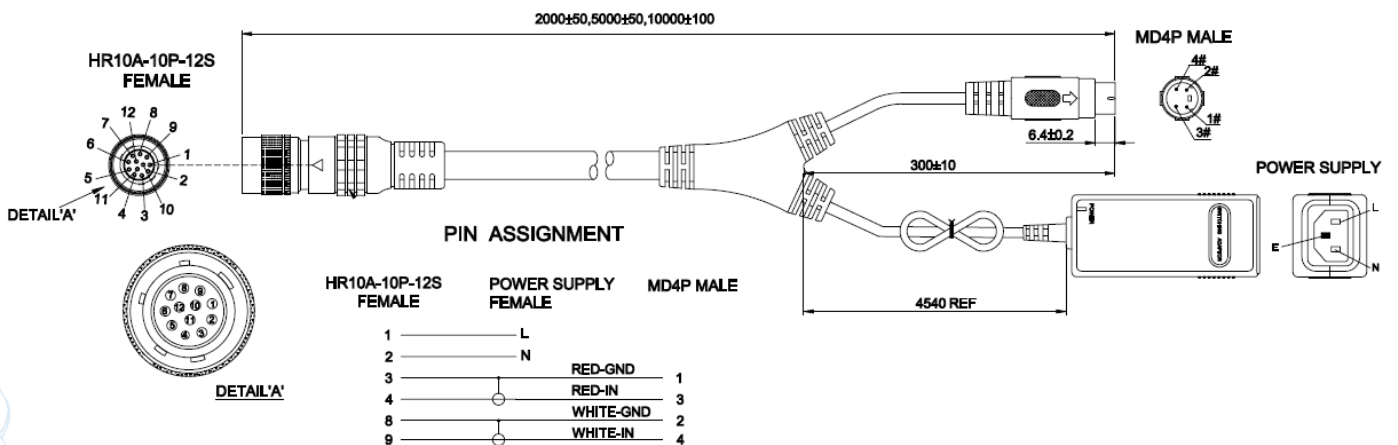
PS-12-12P



CY-S-0856

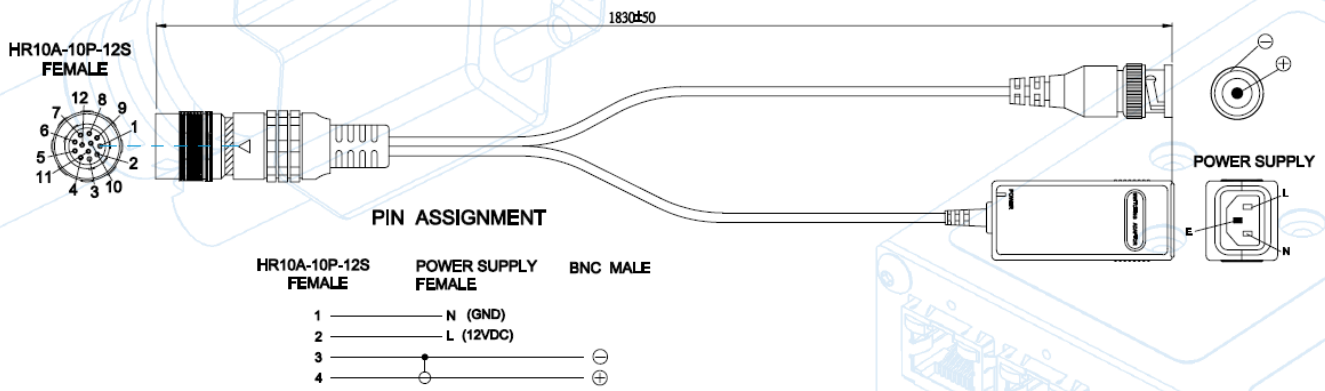


CY-S-0299

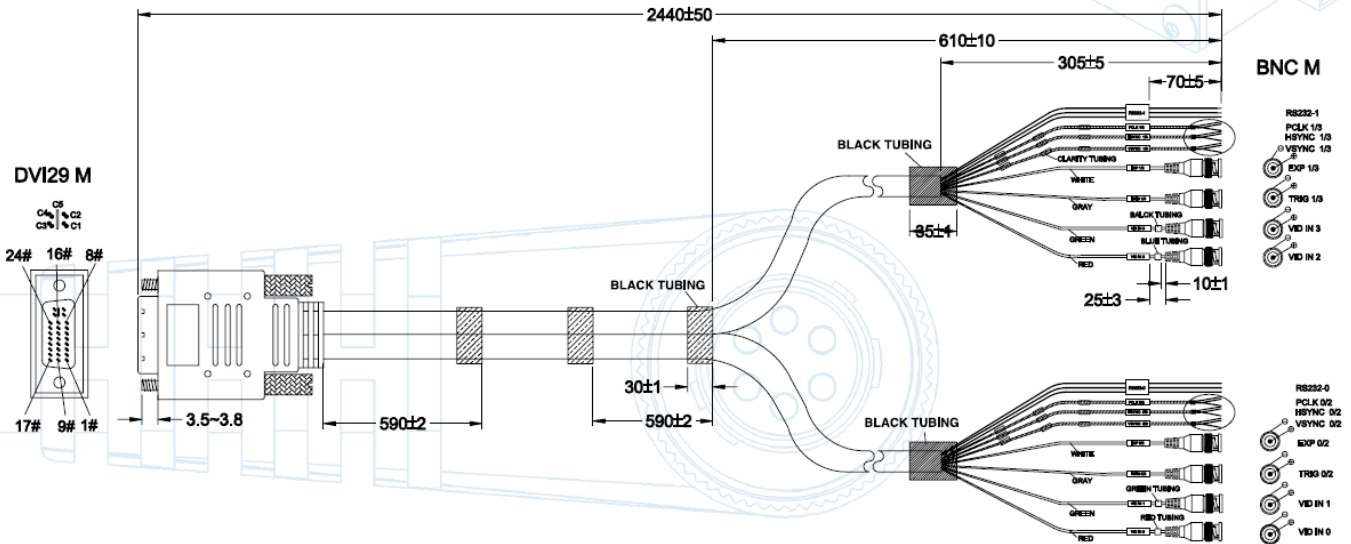


Temp 6-6-19

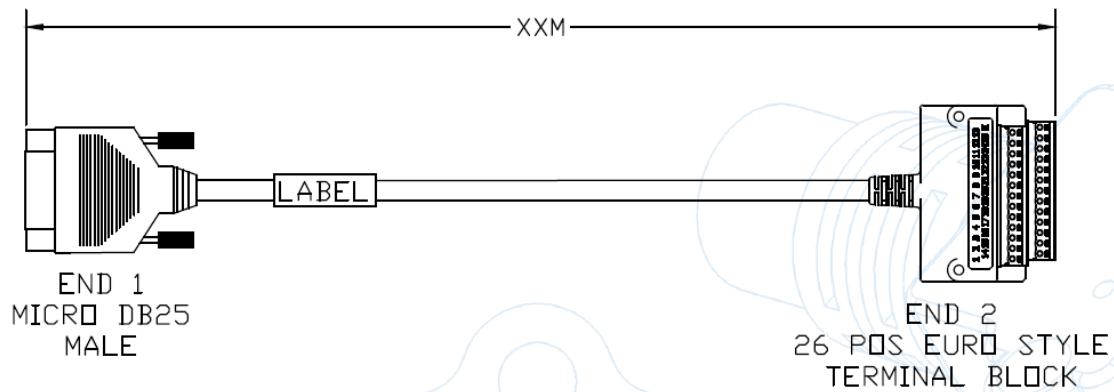
CY-S-0367



CY-S-0562

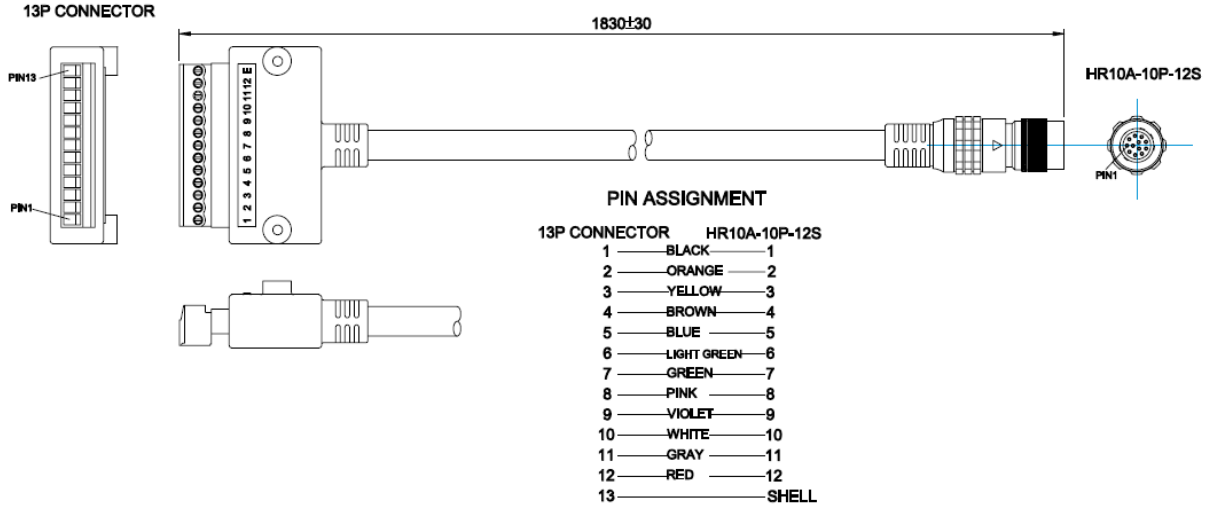


G2-10PC-MD25F

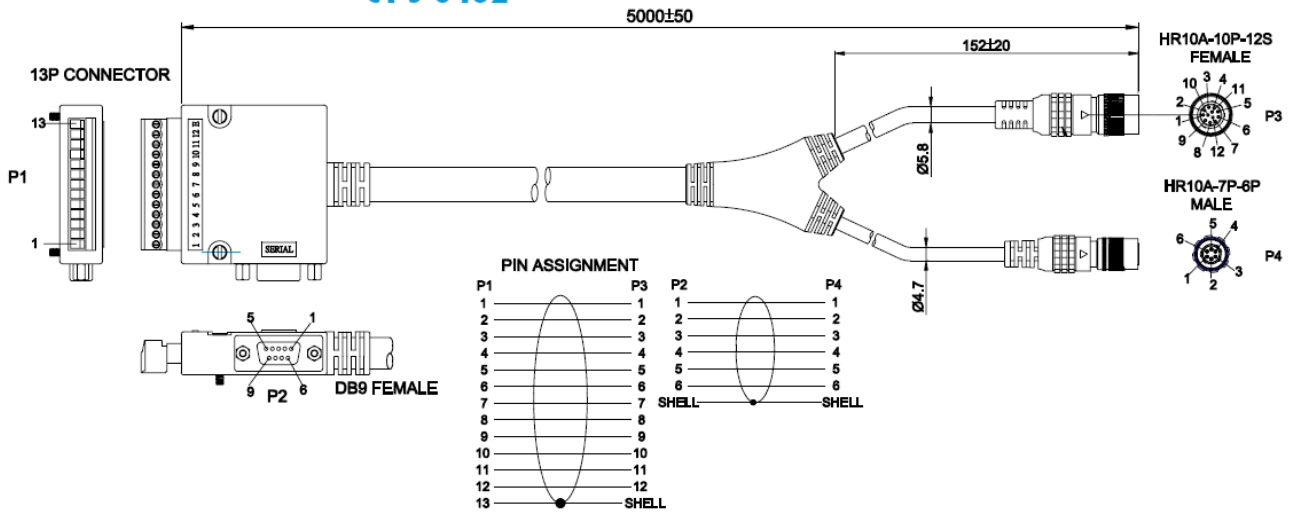


Temp 6-6-19

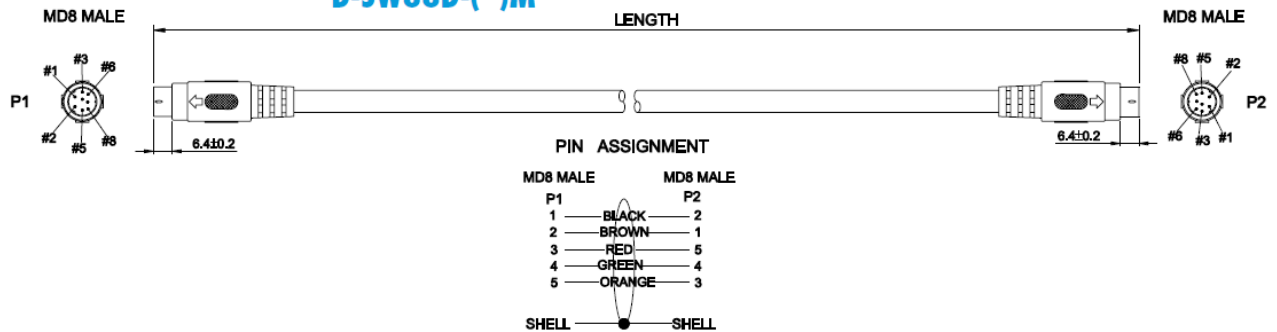
CY-S-0527



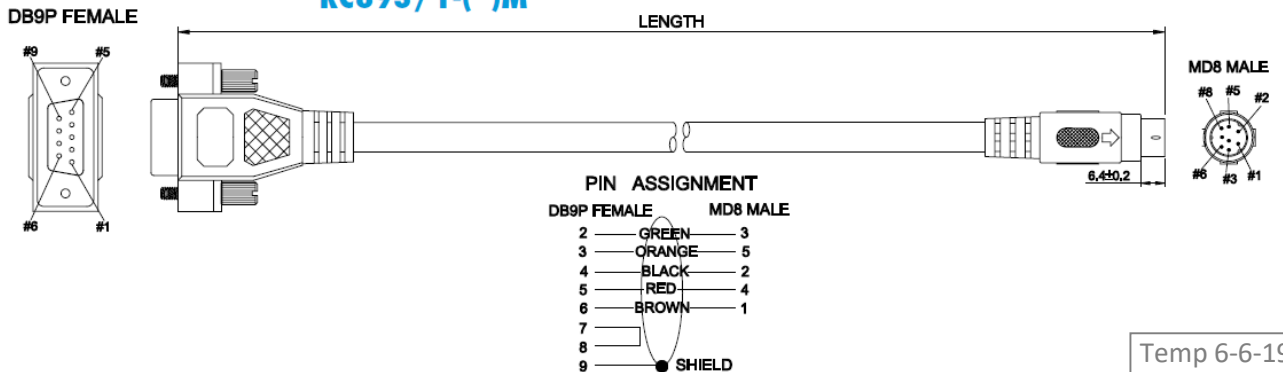
CY-S-0462



D-SW88D-()M



RC893/1-()M



Temp 6-6-19