

Ultra wide - multi megapixel - no distortion lens



- Patented Linear Optical Technology enables a rectilinear lens with very **low distortion** for maximum resolution
- Ultra wide** field of view sees the complete image while the operator can digitally pan-tilt-zoom (dPTZ)
- Supports cameras up to **multi megapixel** resolution for demanding applications
- Pan focus** keeps near and far objects continuously in focus without lens adjustment
- Available with CS-mount or C-mount and with auto or manual iris



 LINEAR OPTICAL TECHNOLOGY

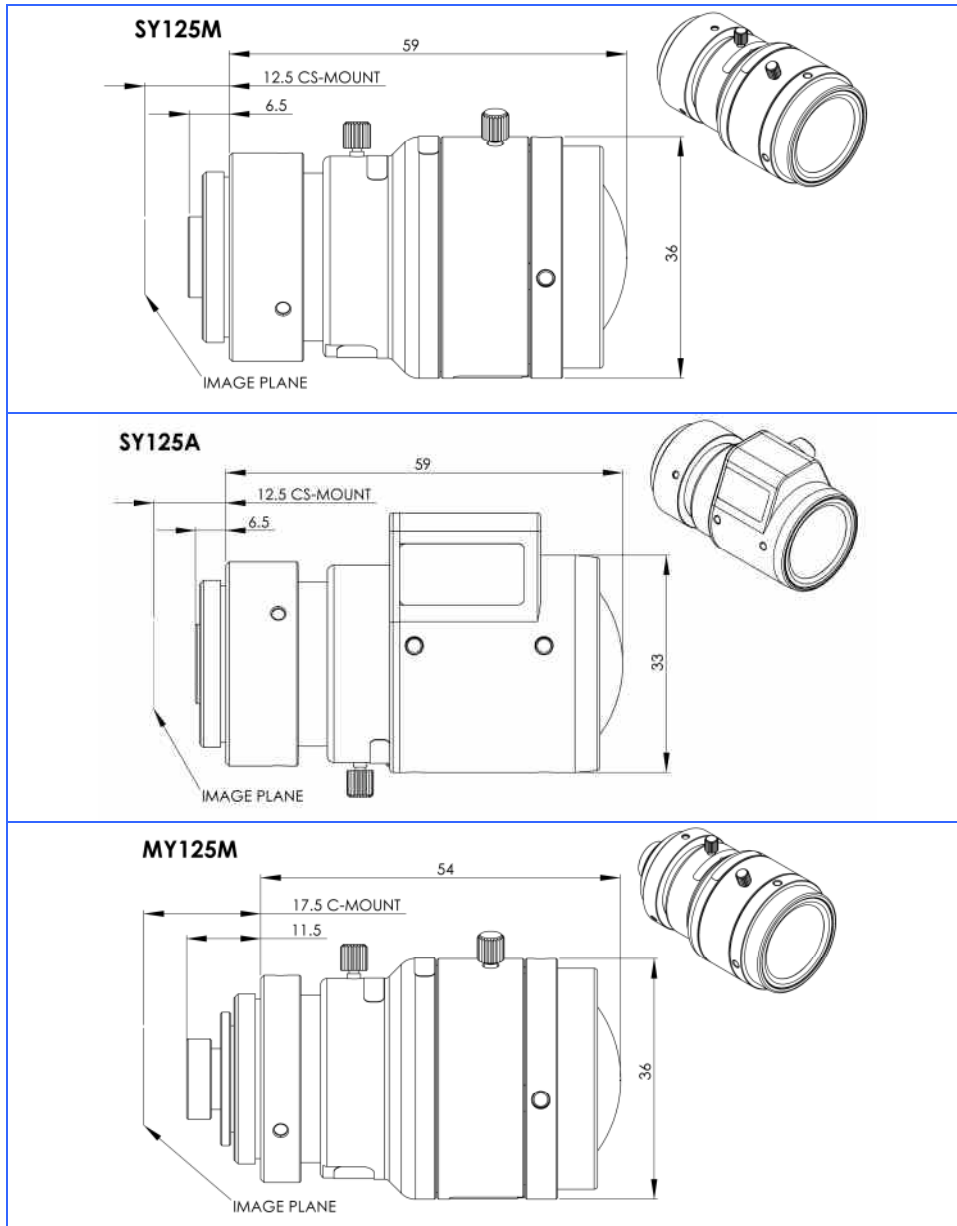
Lenses	SY125M CS-mount manual iris lens SY125A CS-mount DC-autoiris lens MY125M machine vision C-mount manual iris lens		
Sensor size	1/4" (Ø4.5mm)	1/3" (Ø6.0mm)	1/2.5" (Ø7.2mm)*
Field of view (H)	109°	125°	135°
Field of view (V)	93°	109°	119°
Field of view (D)	122°	137°	141°
Focal length	1.3 mm		
F/#	F/1.8 to closed		
Resolution	Up to 5 megapixels		
Distortion (H)	<3% barrel (for 1/3" sensor)		

*Some vignetting may occur using a 1/2.5" sensor depending on sensor mechanical tolerance.

For more information: www.TheiaTech.com

For further information contact

Theia Technologies
info@TheiaTech.com
www.TheiaTech.com
503-570-3296



Theia Technologies, in cooperation with Nittoh Kogaku K.K., Suwa, Japan

For more information please contact:



BOCK OPTRONICS INC.
14 Steinway Blvd., Unit 7
Toronto, Ontario M9W 6M6

Tel: (416) 674-2804
sales@bockoptronics.ca
www.bockoptronics.ca

Nittoh Kogaku K.K.
www.NittohKogaku.co.jp **nittoh**

Theia
TECHNOLOGIES
info@TheiaTech.com
www.TheiaTech.com