

# Single Bundles

Flexible bundles give the user versatility when routing and positioning light.



Single Bundle, A08020.60

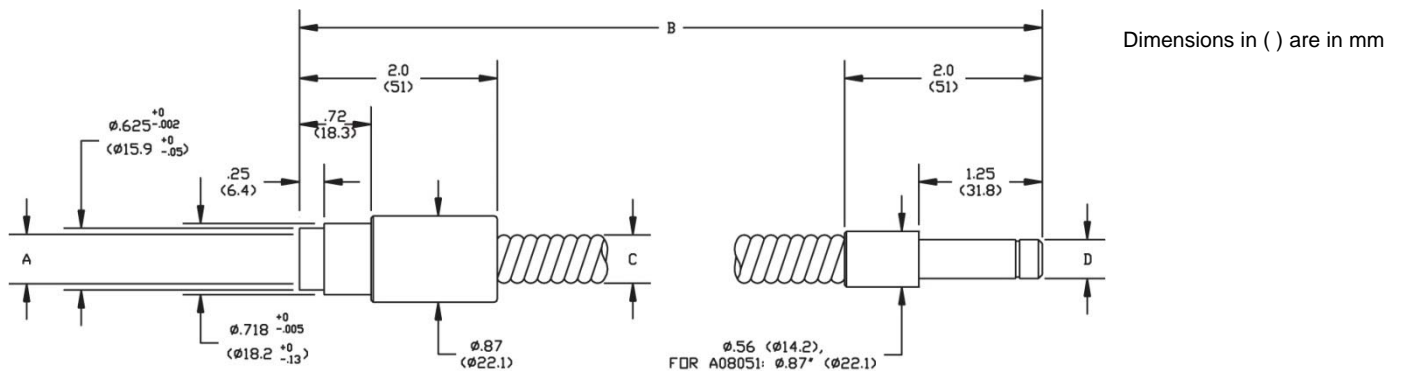
## Product and Performance Characteristics

- Variety of standard sizes with tight bending radius for easy routing
- Standard output ferrules accept spot lenses and polarizing caps (See the Accessories section)
- Standard input accepts Dichroic color filters, diffusers and ColdVision Series light sources
- Support products are available in the Support Apparatus section of the product catalog
- Modified standard and custom configurations are available

Bundle Input: Black Anodized Aluminium  
Bundle Sheathing: PVC Covered Metal Tubing

## Bundle Specifications

Part No.	Active Input Fiber Diameter	Distal Ferrule Diameter	Tubing Diameter	Bundle Length
A08020.40	.20" (5)	.393" (10)	.39" (10)	40" (1016)
A08020.60	.20" (5)	.393" (10)	.39" (10)	60" (1524)
A08025.40	.25" (6)	.393" (10)	.47" (12)	40" (1016)
A08025.60	.25" (6)	.393" (10)	.47" (12)	60" (1524)
A08031.40	.30" (8)	.393" (10)	.47" (12)	40" (1016)
A08031.60	.30" (8)	.393" (10)	.47" (12)	60" (1524)
A08031.80	.30" (8)	.393" (10)	.47" (12)	80" (2032)
A08051.40	.51" (13)	.625" (16)	.75" (19)	40" (1016)
A08051.60	.51" (13)	.625" (16)	.75" (19)	60" (1524)
A21200	.40" (10)	.507" (13)	.69" (18)	30" (762)



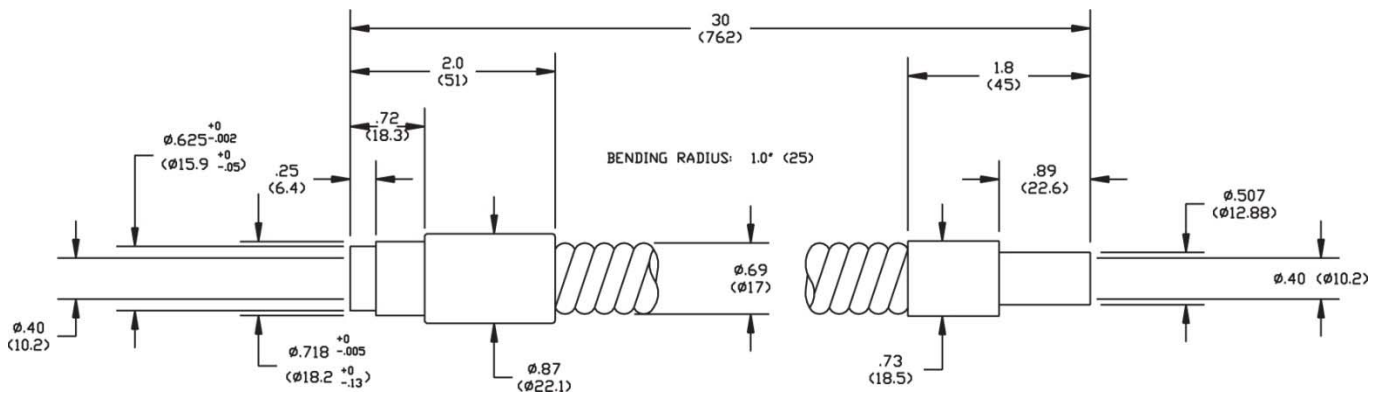
A08020.40 – A08051.60 Single Bundles

Version 01.2017



Matrix for A08020.40 - A08051.60 Bundles

Part No.	A	B	C	Bend Radius	D
A08020.40	.20" (5)	40" (1016)	.39" (10)	.5" (13)	.393" (10)
A08020.60	.20" (5)	60" (1524)	.39" (10)	.5" (13)	.393" (10)
A08025.40	.25" (6)	40" (1016)	.47" (12)	.6" (15)	.393" (10)
A08025.60	.25" (6)	60" (1524)	.47" (12)	.6" (15)	.393" (10)
A08031.40	.30" (8)	40" (1016)	.47" (12)	.6" (15)	.393" (10)
A08031.60	.30" (8)	60" (1524)	.47" (12)	.6" (15)	.393" (10)
A08031.80	.30" (8)	80" (2032)	.47" (12)	.6" (15)	.393" (10)
A08051.40	.51" (13)	40" (1016)	.75" (19)	1.4" (36)	.625" (16)
A08051.60	.51" (13)	60" (1524)	.75" (19)	1.4" (36)	.625" (16)
A21200	.40" (10)	30" (762)	.69" (18)	1.0" (25)	.507" (13)



A21200 Bundle

Dimensions in ( ) are in mm

**Warning :** This product is manufactured with glass fiber. Not for use in cable/hose carrier. Call SCHOTT to discuss moving cable/hose carrier applications.

All specifications are subject to change without prior notice. This datasheet or any extracts thereof may only be used in other publications with express permission of SCHOTT. © SCHOTT North America, Inc.



# Dual and Quad Bundles

Flexible bundles give the user versatility when routing and positioning light.



Quad Bundle, A08545



Dual Bundle, A08550.72

Bundle Input: Black Anodized Aluminium  
 Bundle Sheathing: PVC Covered Metal Tubing

## Quad Bundle Specifications

Part No.	Active Input Fiber Diameter	Distal Ferrule Diameter	Tubing Diameter	Bundle Length
A08545	.50" (13)	.393" (10)	.47" (12)	40" (1016)

## Dual Bundle Specifications

Part No.	Active Input Fiber Diameter	Distal Ferrule Diameter	Tubing Diameter	Bundle Length
A08530	.30" (8)	.393" (10)	.40" (10)	40"(1016)
A08540	.36" (9)	.393" (10)	.47" (12)	40"(1016)
A08550	.43" (11)	.393" (10)	.47" (12)	40"(1016)
A08550.72	.43" (11)	.393" (10)	.47" (12)	72" (1829)

## Product and Performance Characteristics

- Variety of standard sizes and bundle multi-leg configurations with tight bending radius for easy routing
- Multi-leg bundles are illuminated with one light source
- Standard output ferrules accept spot lenses and polarizing caps (See the Accessories section)
- Standard input accepts Dichroic color filters, diffusers and ColdVision Series light sources
- Support products are available in the Support Apparatus section of the product catalog
- Modified standard and custom configurations are available

## Matrix for A08530 - A08550.72 Dual Bundles

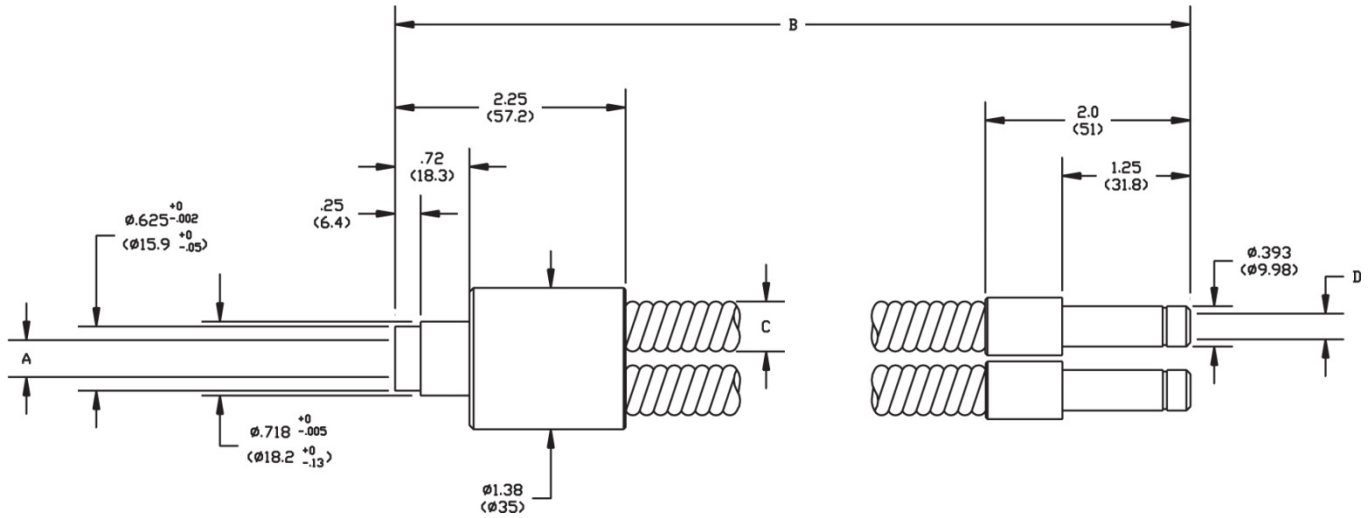
Part No.	A	B	C	Bend Radius	D
A08530	.30" (8)	40"(1016)	.40" (10)	.5" (13)	.21" (5.3)
A08540	.36" (9)	40"(1016)	.47" (12)	.6" (15)	.25" (6.4)
A08550	.43" (11)	40"(1016)	.47" (12)	.6" (15)	.30" (7.6)
A08550.72	.43" (11)	72" (1829)	.47" (12)	.6" (15)	.30" (7.6)

Dimensions in ( ) are in mm

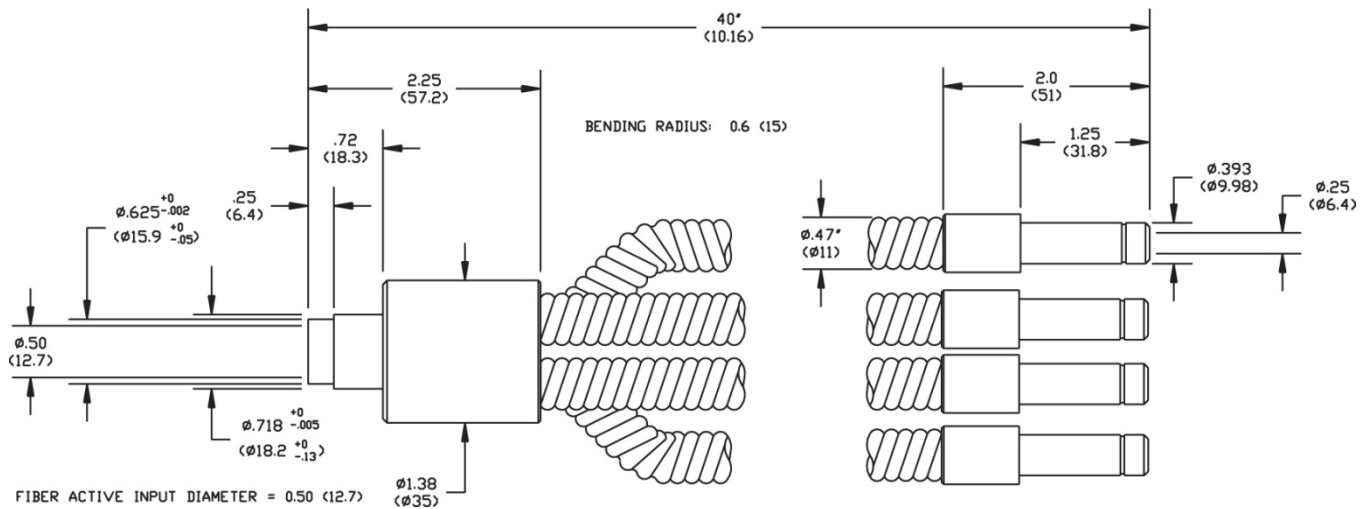
Version 01.2017



## Dual and Quad Bundles



Dual Flexible Bundle, A08530 – A08550.72



Quad Flexible Bundle, A08545

Dimensions in ( ) are in mm

**Warning :** This product is manufactured with glass fiber. Not for use in cable/hose carrier. Call SCHOTT to discuss moving cable/hose carrier applications.

All specifications are subject to change without prior notice. This datasheet or any extracts thereof may only be used in other publications with express permission of SCHOTT. © SCHOTT North America, Inc.



# Randomized and Calibrated Bundles

Designed to increase uniformity of light output.



Quad Randomized & Calibrated Bundle, A21045



Single Bundle, A08031.60R

## Product and Performance Characteristics

- Fibers are randomized to improve spot uniformity, bundles with multiple outputs are calibrated for matching output within ~5% bundle to bundle
- We assure consistency by adding a 12" (305mm)\* randomized common end at the input. This extra 12" (305) of fiber scrambles the light, distributing any hot or cold spots from the lamp throughout each of the legs.
- Variety of standard sizes and bundle multi-leg configurations with tight bending radius for easy routing (see chart)
- Multi-leg bundles are illuminated with one light source
- Standard output ferrules accept spot lenses and polarizing caps (see the Accessories section)
- Modified standard and custom configurations are available

## Randomized Bundle Specifications

Part No.	Configuration	Active Input Fiber Diameter	Distal Ferrule Diameter	Tubing Diameter	Bundle Length
A08031.40R	Single	.30" (8)	.393" (10)	47" (12)	40" (1016)
* A08031.60R	Single	.30" (8)	.393" (10)	47" (12)	60" (1524)
* A08031.80R	Single	.30" (8)	.393" (10)	47" (12)	80" (2032)

\* Made-to-order products

## Randomized and Calibrated Bundle Specifications - 12"(305) Common Bundle Length

Part No.	Configuration	Active Input Fiber Diameter	Distal Ferrule Diameter	Tubing Diameter	Bundle Length
A21040	Dual	.36" (9)	.393" (10)	.60" (15)	48"(1219)
A21045	Quad	.51" (13)	.393" (10)	.83"(21)	48"(1219)
A21050	Dual	.43" (11)	.393" (10)	.67"(17)	48"(1219)

Dimensions in ( ) are in mm

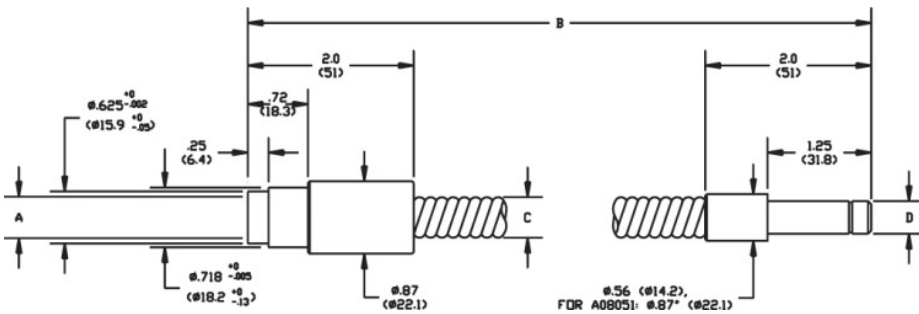


**Matrix for A08031.40R – A08031.80R**

Part No.	A	B	C	Bend Radius	D
A08031.40R	.30" (78)	40" (1016)	.47" (12)	.6" (15)	.393" (10)
A08031.60R	.30" (78)	60" (1524)	.47" (12)	.6" (15)	.393" (10)
A08031.80R	.30" (78)	80" (2032)	.47" (12)	.6" (15)	.393" (10)

**Matrix for A21040 & A21050**

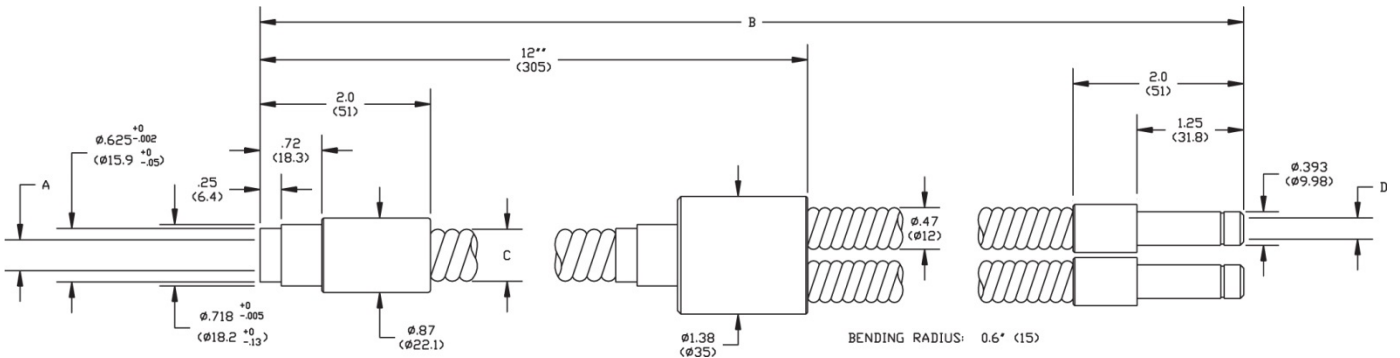
Part No.	A	B	C	Bend Radius	D
A21040	.36" (9)	48" (1219)	.60" (15)	1.0" (25)	.25" (6.4)
A21050	.43" (11)	48" (1219)	.67" (17)	1.2" (30)	.30" (7.6)



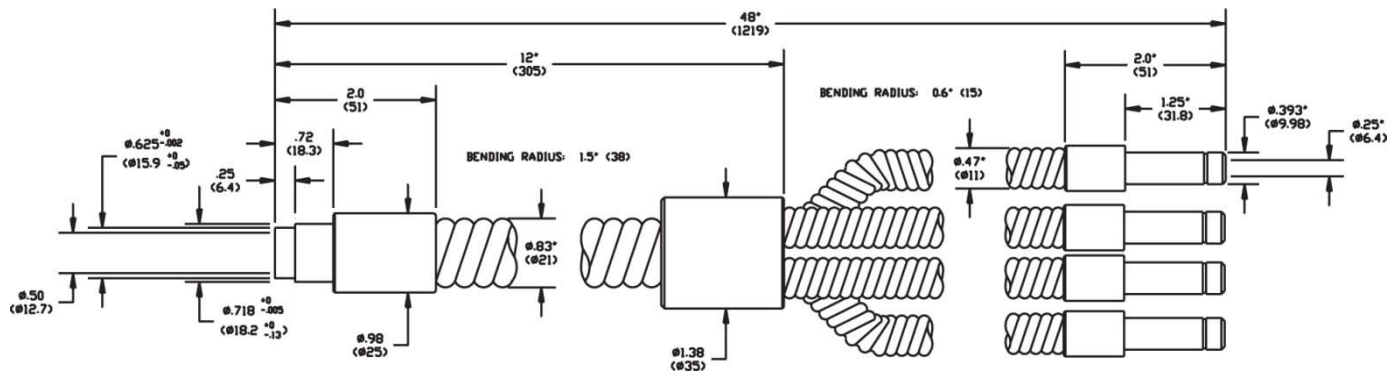
Dimensions in ( ) are in mm

**Warning :** This product is manufactured with glass fiber. Not for use in cable/hose carrier. Call SCHOTT to discuss moving cable/hose carrier applications.

Single Randomized Bundle, A08031.40R



Dual Randomized & Calibrated Bundle, A21040 – A21050



Quad Randomized & Calibrated Bundle, A21045

Lighting and Imaging  
**SCHOTT North America, Inc.**  
 122 Charlton Street  
 Southbridge, MA 01550  
 USA

Phone: +1 (508) 765-9744  
 Fax: +1 (508) 765-1299  
 lightingimaging@us.schott.com  
 www.us.schott.com/lightingimaging

All specifications are subject to change without prior notice. This datasheet or any extracts thereof may only be used in other publications with express permission of SCHOTT. © SCHOTT North America, Inc.



# Filters, Diffusers & Spot Lenses



Color Filters A08070 – A08074

## Filters and Adapters

- Available in red, green, blue, yellow, and daylight; these Dichroic filters will not darken or alter spectral response over time, regardless of light intensity or duration
- Daylight filter increases existing color temperature to approximately 3000 K when used with EKE, EJA, and DDL lamps at their rated voltages
- Dichroic color filters reflect heat versus absorbing it, eliminating the need for a thermal expansion split
- Clear anodized aluminum housing is used on the filters, black anodized aluminum housing is used on the adapter

Part No.					
A08070	Blue	A08073	Red	A08931	Color Filter Adapter
A08071	Green	A08074	Daylight		
A08072	Yellow	A08075	UV Filter, Cut-off		

## Diffusers

- Input lens diffuser, part number, A08086, homogenizes beams with minimal light loss and minimizes black hole phenomenon from fiber bundles
- Opal diffuser option, part number, A08087, creates the most uniform light - almost flat illumination, but reduces output by 40%
- Diffusers fit on all ColdVision standard inputs

Part No.	Description
A08086	Input lens diffuser
A08087	Input opal diffuser



Color Filter Adapter, A08931



Input Lens Diffusers, A08086 & A08087



A08080



A08082



A08084

Spot Lens Models



Polarizing Cap, A08090 for Spot Lens, A08080

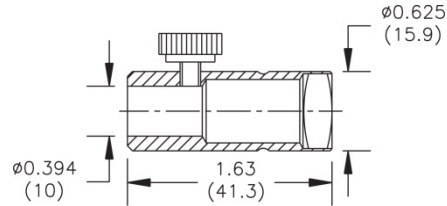
## Spot Lenses

- Used on distal ends of goosenecks and bundles to focus the light

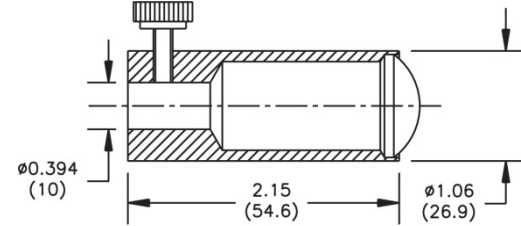
Part No.	Description
A08080	Spot lens for standard bundles except A08051.40 & A08051.60
A08082	Small spot lens for standard bundles except A08051.40 & A08051.60
A08084	Spot lens for models A08051.40 & A08051.60

Part No.	First Spot Location	First Spot Diameter	Second Spot Location	Second Spot Diameter
A08080*	40 mm	45 mm	80 mm	90 mm
A08082	40 mm	30 mm	80 mm	60 mm
A08084	40 mm	30 mm	80 mm	60 mm

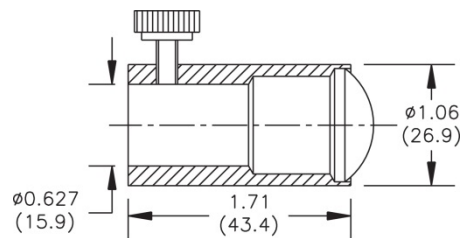
\*Polarizing cap, part number, A08090, is available for spot lens model, A08080, to eliminate glare and reflections. Five spare polarizing discs are included with the product



A08080 Spot Lens



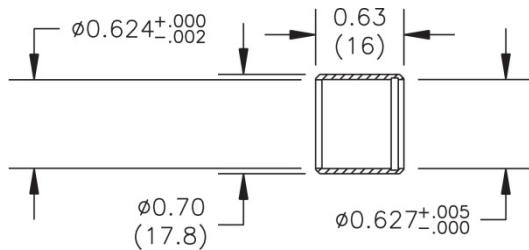
A08082 Small Spot Lens



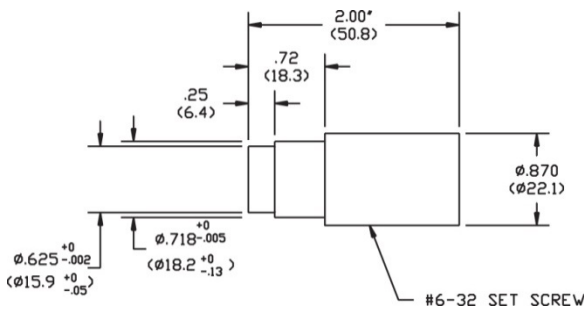
A08084 Spot Lens

## Polarizing Cap for A08080

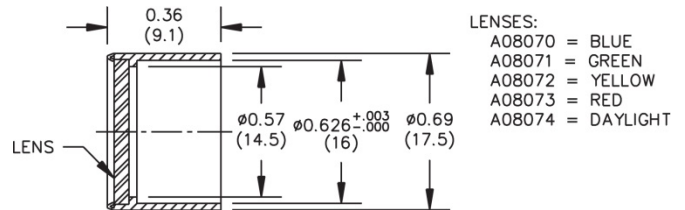
Part No.	Description
A08090	Polarizing cap for A08080 (fits on A08575)



A08090 Polarizing Cap

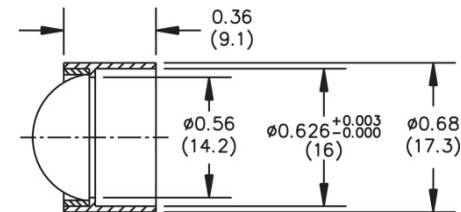


A08931 Color Filter Adapter

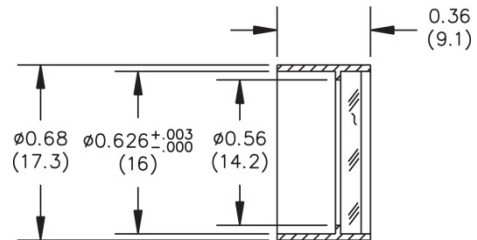


A08070 - A08074 Dichroic Color Filters

LENSES:  
 A08070 = BLUE  
 A08071 = GREEN  
 A08072 = YELLOW  
 A08073 = RED  
 A08074 = DAYLIGHT



A08086 Input Lens Diffuser



A08087 Input Lens Diffuser (Opal)

Dimensions in ( ) are in mm

All specifications are subject to change without prior notice. This datasheet or any extracts thereof may only be used in other publications with express permission of SCHOTT. © SCHOTT North America, Inc.

Lighting and Imaging  
**SCHOTT North America, Inc.**  
 122 Charlton Street  
 Southbridge, MA 01550  
 USA  
 Phone: +1 (508) 765-9744  
 Fax: +1 (508) 765-1299  
 lightingimaging@us.schott.com  
 www.us.schott.com/lightingimaging



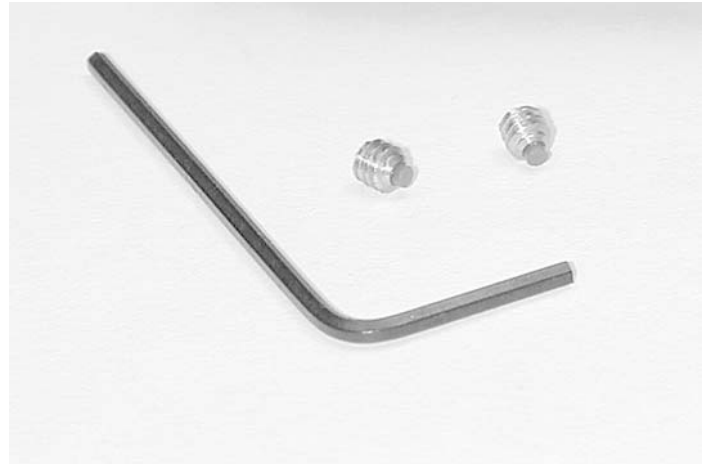


# Bundle Extenders

Extends the working length of standard fiber optic components using a SCHOTT bundle and these couplers.



Bundle Extender, A08035



Bundle Extender Nylon tipped Set Screws

## Product and Performance Characteristics

- Reduces the requirement for custom fiber optic lengths, can provide the user with additional work space
- Extends length of all standard SCHOTT ringlights, bundles, goosenecks, lightlines, and backlights\* that have a .310" (8) or .510" (13) active fiber diameter (see chart)
- Black anodized aluminum with nylon tipped set screws

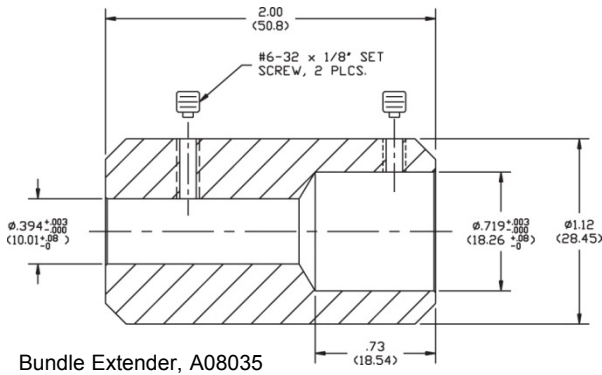
### PLEASE NOTE:

- \* Using a bundle extender results in a 30-40% light loss. If your application requires maximum intensity, we recommend ordering a modified standard component.
- \* Backlight adapter, part number A08931 is required in order for the bundle extender to be used with SCHOTT standard backlights

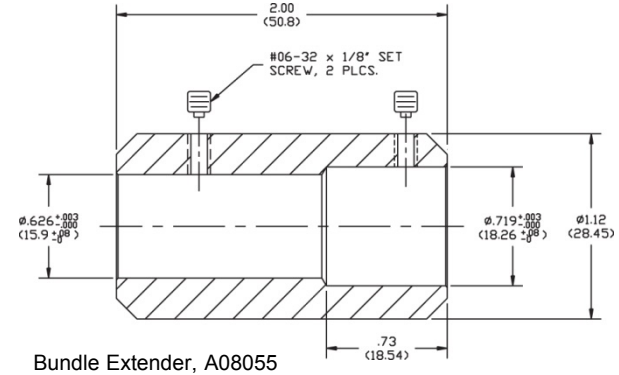
## Bundle Extender

Part No. Bundle Extender	Part No. Single Bundle
A08035	A08031.40 A08031.60 A08031.80 A08031.40R A08031.60R A08031.80R
A08055	A08051.40 A08051.60

Dimensions in ( ) are in mm



Bundle Extender, A08035



Bundle Extender, A08055

Version 01.2017

All specifications are subject to change without prior notice. This datasheet or any extracts thereof may only be used in other publications with express permission of SCHOTT. © SCHOTT North America, Inc.

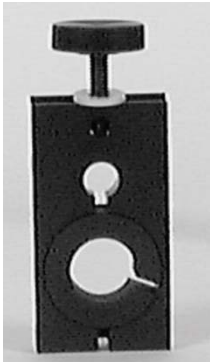
Lighting and Imaging  
**SCHOTT North America, Inc.**  
 122 Charlton Street  
 Southbridge, MA 01550  
 USA  
 Phone: +1 (508) 765-9744  
 Fax: +1 (508) 765-1299  
[lightingimaging@us.schott.com](mailto:lightingimaging@us.schott.com)  
[www.us.schott.com/lightingimaging](http://www.us.schott.com/lightingimaging)



# Gooseneck and Bundle Support Apparatus

For accurate positioning in both industrial and laboratory environments.

**A08522 Clamp**



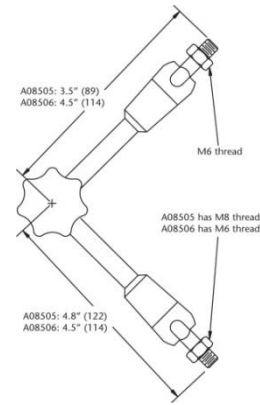
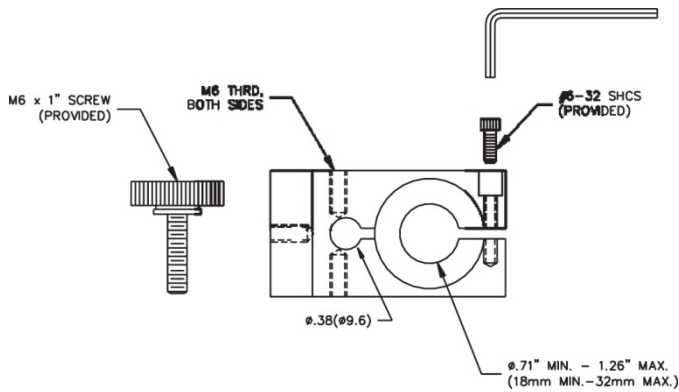
**A08508 Clamp**



**A08505 Articulated Arm**



**A08506 Articulated Arm**

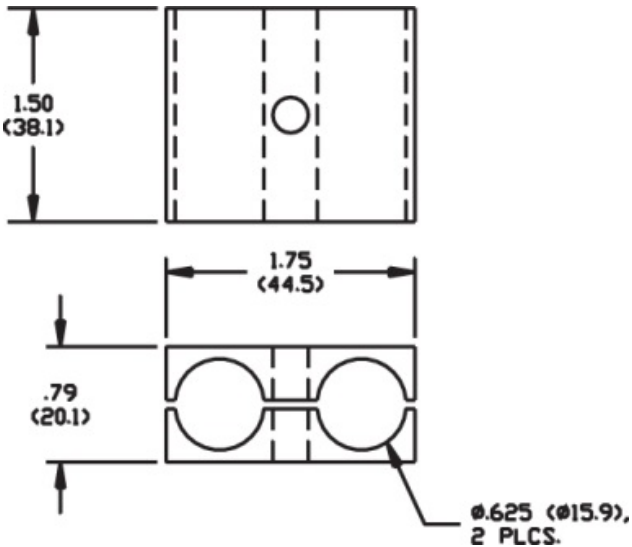


A08522 - A08528 Clamp

A08505 & A08506 Articulated Arm

Dimensions in ( ) are in mm

## A08502 Clamp Set



## Support Apparatus

Part No.	Description
A08508	Bundle holder with .565" (14.4) dia. hole for all bundle diameters up to .51" (13). Has an M6 thread.

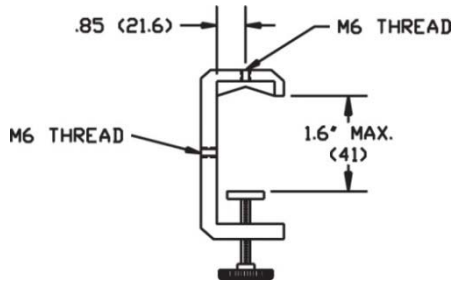
## Universal Post Clamps

Part No.	Description
*A08522	Ring for 18 mm post. Zeiss IVB Stereo, IB, III, IV, IVB
*A08523	Ring for 20 mm
*A08524	Ring for 24.5 mm
*A08525	Ring for 25 mm
*A08526	Ring for 32 mm
*A08527	Ring for 22 mm
*A08528	Ring for 29 mm
* Made-to-order products	

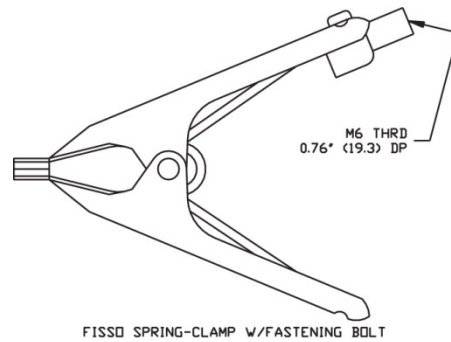
Version 01.2017



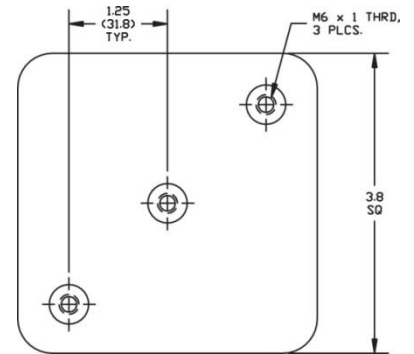
**A08591 V-Clamp**



**A08590 Spring Clamp**



**A08507 Base**



Dimensions in ( ) are in mm

**Support Apparatus**

Part No.	Description
A08505	Articulated arm with M6 thread on one end (will attach to heavy base and V-clamp) and M8 thread on the other end which will fit our A08592 dual V-clamp.
A08506	Articulated arm with M6 threads on both ends. Versatile accessory easily locked into place with only one knob. Can be used with our base and V-clamp and will accept all holders.
A08507	3 1/2 lb. Base for attaching up to three support arms and/or posts at once. M6 threads only.
A08590	Spring Clamp with M6 thread. Industrial strength universal clamp that can be used with our articulated arms to hold bundles, light lines and other equipment. Secure to tabletops or other like sur faces.
A08591	V-Clamp with two M6 threaded holes to use as a table clamp and will accept all our holders.

For more information please contact:



**BOCK OPTRONICS INC.**  
 14 Steinway Blvd., Unit 7  
 Toronto, Ontario M9W 6M6

Tel: (416) 674-2804  
[sales@bockoptronics.ca](mailto:sales@bockoptronics.ca)  
[www.bockoptronics.ca](http://www.bockoptronics.ca)

Lighting and Imaging  
**SCHOTT North America, Inc.**  
 122 Charlton Street  
 Southbridge, MA 01550  
 USA

Phone: +1 (508) 765-9744  
 Fax: +1 (508) 765-1299  
[lightingimaging@us.schott.com](mailto:lightingimaging@us.schott.com)  
[www.us.schott.com/lightingimaging](http://www.us.schott.com/lightingimaging)



All specifications are subject to change without prior notice. This datasheet or any extracts thereof may only be used in other publications with express permission of SCHOTT. © SCHOTT North America, Inc.