

Single and Dual Goosenecks

Flexible obedient, incident illumination for space constrained applications.



Single Chrome Gooseneck, A08400



Dual Black Gooseneck, A08575

Bundle Input: Black Anodized Aluminium
 Bundle Sheathing: Chrome or Black Decabon

Product and Performance Characteristics

- Made with chrome plated semi-obedient metal or black decabon semi-rigid gooseneck tubing
- Easily adjustable, precise positioning offers complete control of light placement
- Dual models illuminate workspace with a single light source
- Gooseneck legs placed in opposing positions create near shadow-free illumination
- Standard output ferrules accept spot lenses and polarizing caps (See the Accessories section)
- Model number A08575 is a dual focusing gooseneck that has permanently attached spot lenses, easily focused by turning the knurled lens barrels
- Modified standard and custom configurations are available

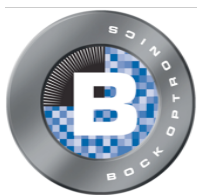
Single Gooseneck Specifications

Part No.	Tubing	Distal Ferrule Diameter	Active Input Fiber Diameter	Gooseneck Tubing Diameter	Gooseneck Length
A08400	Chrome	.20" (5)	.393" (10)	.47" (12)	18" (457)
A08410	Black	.20" (5)	.393" (10)	.47" (12)	30" (762)

Dual Gooseneck Specifications

Part No.	Tubing	Distal Ferrule Diameter	Active Input Fiber Diameter	Gooseneck Tubing Diameter	Gooseneck Length
A08500	Chrome	.30" (8)	.393" (10)	.47" (12)	18" (457)
A08575	Black	.30" (8)	.21" (5)	.47" (12)	23" (584)

Dimensions in () are in mm



For more information please contact:

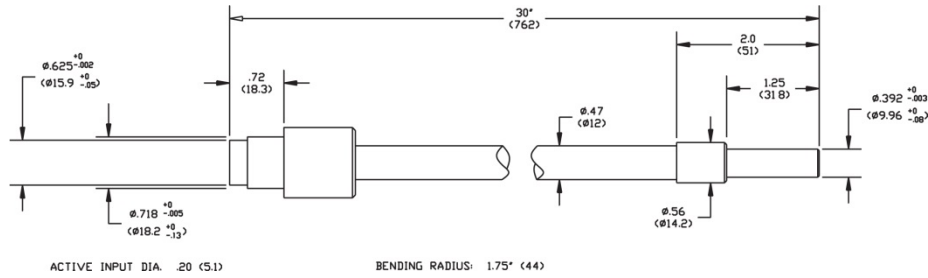
BOCK OPTRONICS INC.

14 Steinway Blvd., Unit 7
 Toronto, Ontario M9W 6M6

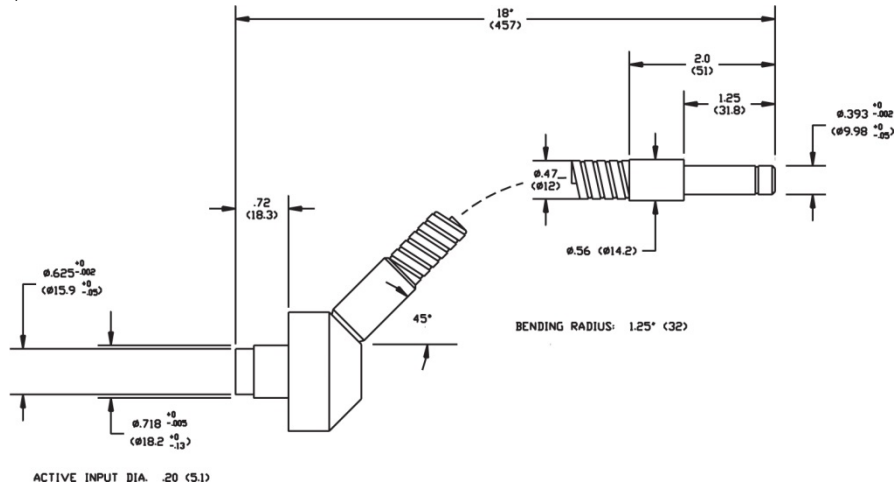
Tel: (416) 674-2804
sales@bockoptronics.ca
www.bockoptronics.ca



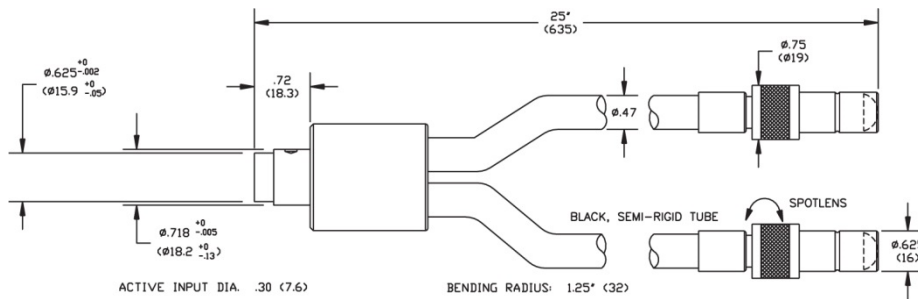
Gooseneck Specifications



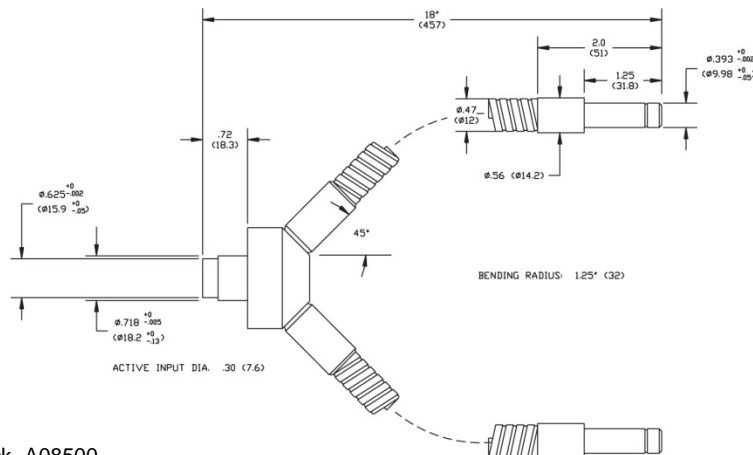
Single Black Gooseneck, A08410



Single Chrome Gooseneck, A08400



Dual Black Gooseneck, A08575



Dual Chrome Gooseneck, A08550

Dimensions in () are in mm

Warning : This product is manufactured with glass fiber. Not for use in cable/hose carrier. Call SCHOTT to discuss moving cable/hose carrier applications.

All specifications are subject to change without prior notice. This datasheet or any extracts thereof may only be used in other publications with express permission of SCHOTT. © SCHOTT North America, Inc.

Lighting and Imaging
SCHOTT North America, Inc.
 122 Charlton Street
 Southbridge, MA 01550
 USA
 Phone: +1 (508) 765-9744
 Fax: +1 (508) 765-1299
 lightingimaging@us.schott.com
 www.us.schott.com/lightingimaging



Combination Goosenecks and Bundles

Obedient, incident illumination for space constrained applications.



Combination Gooseneck, Bundle, and Bracket, A08512 for Olympus SZX Series Microscopes

Combination Dual Gooseneck with Bundle, A08520.60

Bundle Input: Black Anodized Aluminium
 Bundle Sheathing: PVC Covered Metal Tubing
 Gooseneck Sheathing: Chrome Plated Steel

Product and Performance Characteristics

- Bundle sheathing is made of PVC covered metal tubing and the gooseneck is made of semi-obedient, chrome-plated metal gooseneck tubing
- Bend radius of the chrome gooseneck tubing is 2-3" (51 - 76)*
- Easily adjustable, precise positioning offers complete control of light placement
- Dual models illuminate a workspace with a single light source
- Gooseneck legs placed in opposing positions create shadow-free illumination
- Modified standard and custom configurations are available

Combination Goosenecks and Bundles Specifications

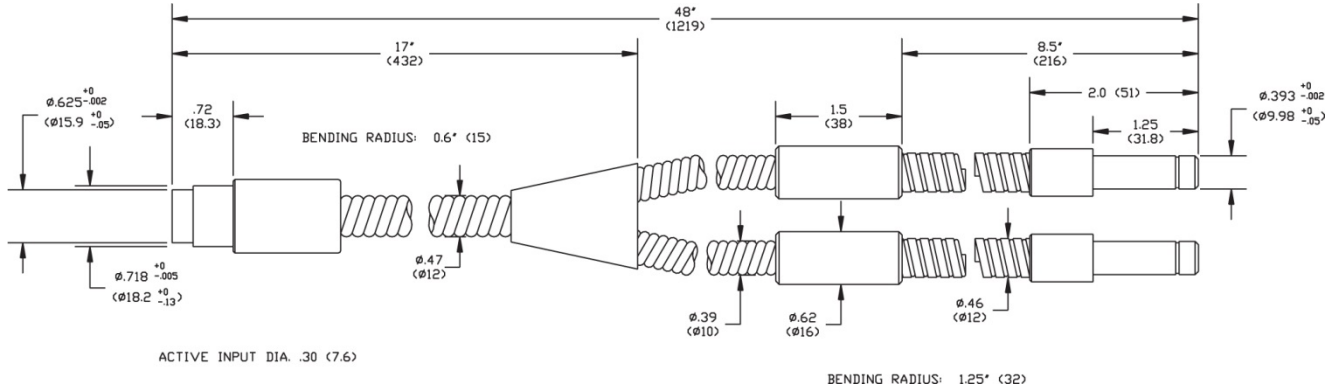
Part No.	Active Input Fiber	Active Output Fiber Diameter	Bundle Tubing Diameter	Gooseneck Tubing Diameter	Bundle Length Diameter	Gooseneck Length
A08510	.30" (8)	.21" (5)	.47" (12)	.46" (12)	17" (432)	8.5"(216)
A08512	.30" (8)	.21" (5)	.47" (12)	.46" (12)	29" (737)	17"(432)
A08520	.30" (8)	.21" (5)	.47" (12)	.46" (12)	30" (762)	18"(457)
A08520.60	.30" (8)	.21" (5)	.47" (12)	.46" (12)	60" (1524)	18"(457)

Dimensions in () are in mm

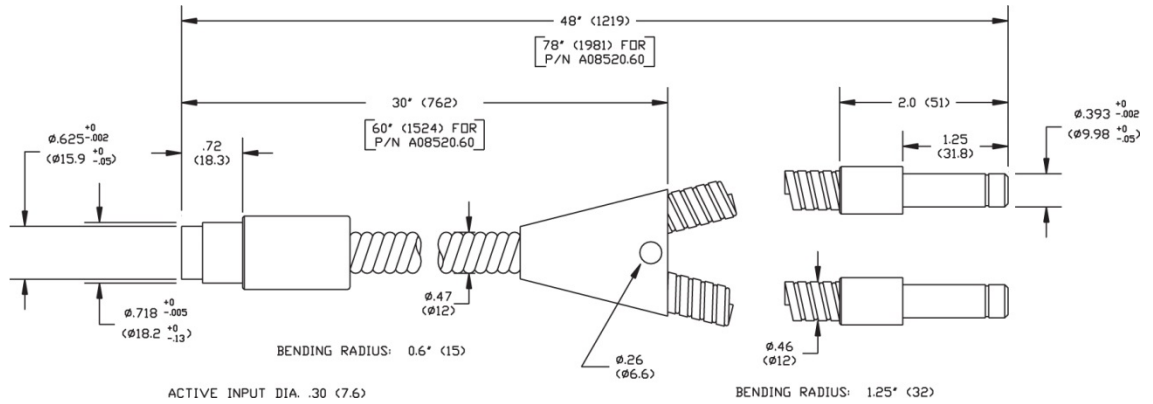
Version 01.2017



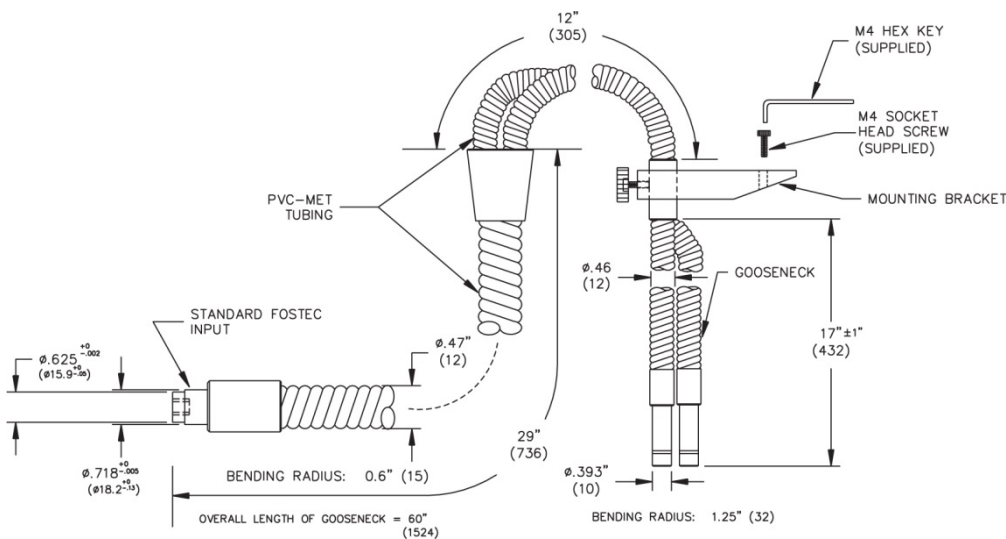
Combination Gooseneck and Bundle Specifications



Combination Gooseneck and Bundle, A08510



Combination Gooseneck and Bundle, A08520 – A08520.60



All specifications are subject to change without prior notice. This datasheet or any extracts thereof may only be used in other publications with express permission of SCHOTT. © SCHOTT North America, Inc.

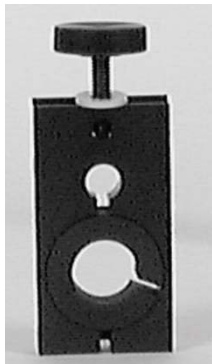
Lighting and Imaging
SCHOTT North America, Inc.
 122 Charlton Street
 Southbridge, MA 01550
 USA
 Phone: +1 (508) 765-9744
 Fax: +1 (508) 765-1299
 lightingimaging@us.schott.com
 www.us.schott.com/lightingimaging

SCHOTT
 glass made of ideas

Gooseneck and Bundle Support Apparatus

For accurate positioning in both industrial and laboratory environments.

A08522 Clamp



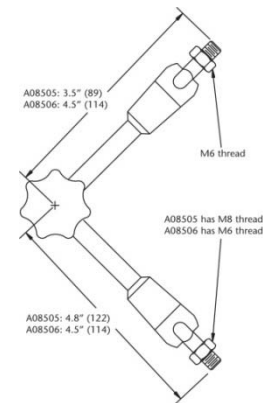
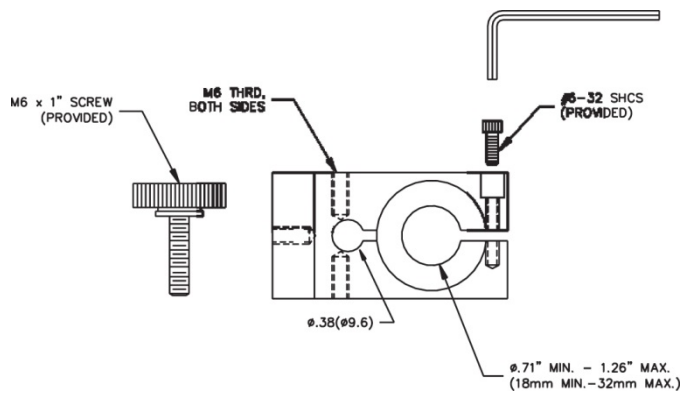
A08508 Clamp



A08505 Articulated Arm



A08506 Articulated Arm

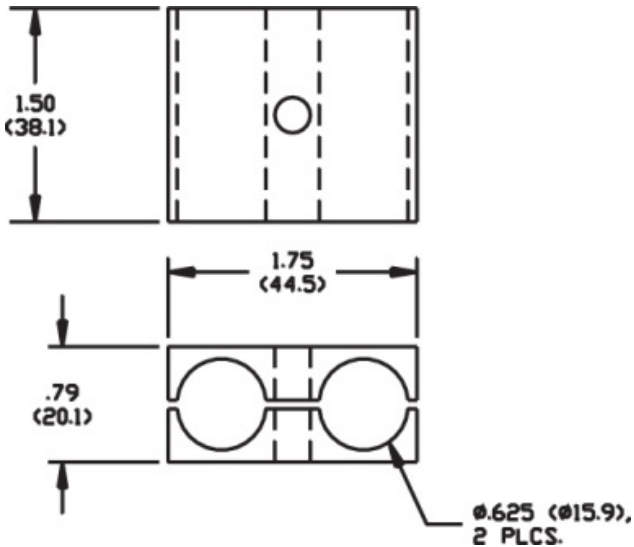


A08522 - A08528 Clamp

A08505 & A08506 Articulated Arm

Dimensions in () are in mm

A08502 Clamp Set



Support Apparatus

Part No.	Description
A08508	Bundle holder with .565" (14.4) dia. hole for all bundle diameters up to .51" (13). Has an M6 thread.

Universal Post Clamps

Part No.	Description
*A08522	Ring for 18 mm post. Zeiss IVB Stereo, IB, III, IV, IVB
*A08523	Ring for 20 mm
*A08524	Ring for 24.5 mm
*A08525	Ring for 25 mm
*A08526	Ring for 32 mm
*A08527	Ring for 22 mm
*A08528	Ring for 29 mm
* Made-to-order products	

Version 01.2017



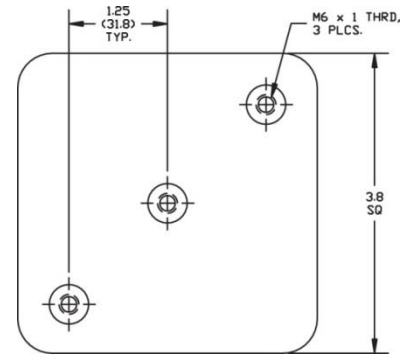
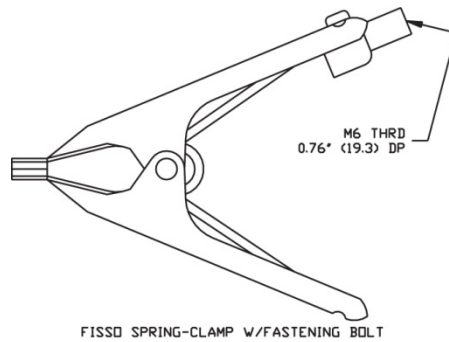
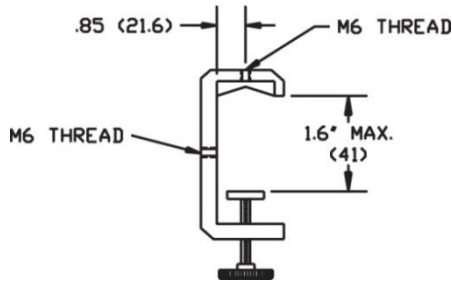
A08591 V-Clamp



A08590 Spring Clamp



A08507 Base



Dimensions in () are in mm

Support Apparatus

Part No.	Description
A08505	Articulated arm with M6 thread on one end (will attach to heavy base and V-clamp) and M8 thread on the other end which will fit our A08592 dual V-clamp.
A08506	Articulated arm with M6 threads on both ends. Versatile accessory easily locked into place with only one knob. Can be used with our base and V-clamp and will accept all holders.
A08507	3 1/2 lb. Base for attaching up to three support arms and/or posts at once. M6 threads only.
A08590	Spring Clamp with M6 thread. Industrial strength universal clamp that can be used with our articulated arms to hold bundles, light lines and other equipment. Secure to tabletops or other like sur faces.
A08591	V-Clamp with two M6 threaded holes to use as a table clamp and will accept all our holders.

All specifications are subject to change without prior notice. This datasheet or any extracts thereof may only be used in other publications with express permission of SCHOTT. © SCHOTT North America, Inc.

Lighting and Imaging
SCHOTT North America, Inc.
 122 Charlton Street
 Southbridge, MA 01550
 USA
 Phone: +1 (508) 765-9744
 Fax: +1 (508) 765-1299
 lightingimaging@us.schott.com
 www.us.schott.com/lightingimaging



Filters, Diffusers & Spot Lenses



Color Filters A08070 – A08074

Filters and Adapters

- Available in red, green, blue, yellow, and daylight; these Dichroic filters will not darken or alter spectral response over time, regardless of light intensity or duration
- Daylight filter increases existing color temperature to approximately 3000 K when used with EKE, EJA, and DDL lamps at their rated voltages
- Dichroic color filters reflect heat versus absorbing it, eliminating the need for a thermal expansion split
- Clear anodized aluminum housing is used on the filters, black anodized aluminum housing is used on the adapter

Part No.					
A08070	Blue	A08073	Red	A08931	Color Filter Adapter
A08071	Green	A08074	Daylight		
A08072	Yellow	A08075	UV Filter, Cut-off		

Diffusers

- Input lens diffuser, part number, A08086, homogenizes beams with minimal light loss and minimizes black hole phenomenon from fiber bundles
- Opal diffuser option, part number, A08087, creates the most uniform light - almost flat illumination, but reduces output by 40%
- Diffusers fit on all ColdVision standard inputs

Part No.	Description
A08086	Input lens diffuser
A08087	Input opal diffuser



Color Filter Adapter, A08931



Input Lens Diffusers, A08086 & A08087



A08080



A08082



A08084

Spot Lens Models



Polarizing Cap, A08090 for Spot Lens, A08080

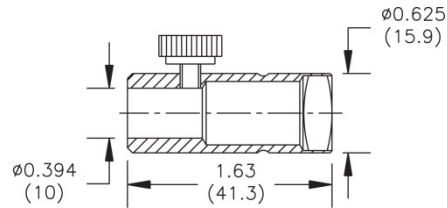
Spot Lenses

- Used on distal ends of goosenecks and bundles to focus the light

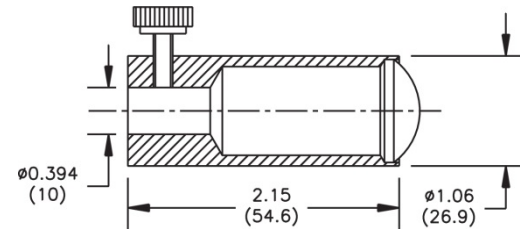
Part No.	Description
A08080	Spot lens for standard bundles except A08051.40 & A08051.60
A08082	Small spot lens for standard bundles except A08051.40 & A08051.60
A08084	Spot lens for models A08051.40 & A08051.60

Part No.	First Spot Location	First Spot Diameter	Second Spot Location	Second Spot Diameter
A08080*	40 mm	45 mm	80 mm	90 mm
A08082	40 mm	30 mm	80 mm	60 mm
A08084	40 mm	30 mm	80 mm	60 mm

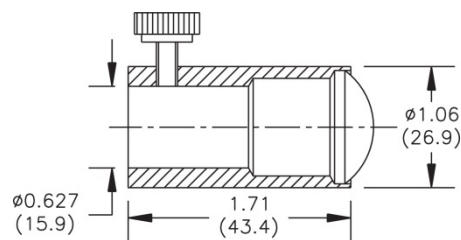
*Polarizing cap, part number, A08090, is available for spot lens model, A08080, to eliminate glare and reflections. Five spare polarizing discs are included with the product



A08080 Spot Lens



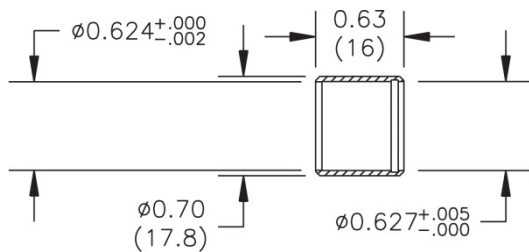
A08082 Small Spot Lens



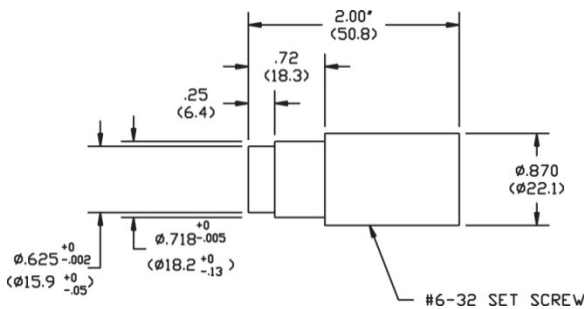
A08084 Spot Lens

Polarizing Cap for A08080

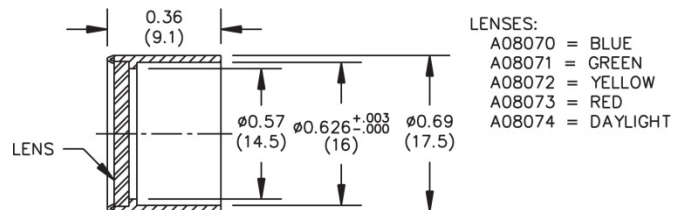
Part No.	Description
A08090	Polarizing cap for A08080 (fits on A08575)



A08090 Polarizing Cap

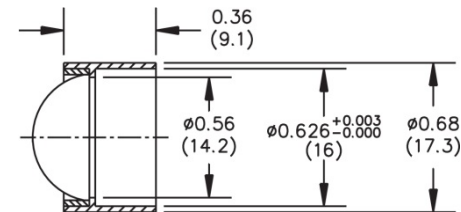


A08931 Color Filter Adapter

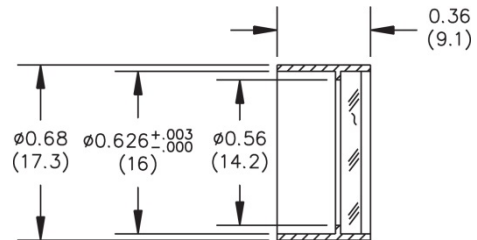


A08070 - A08074 Dichroic Color Filters

LENSES:
 A08070 = BLUE
 A08071 = GREEN
 A08072 = YELLOW
 A08073 = RED
 A08074 = DAYLIGHT



A08086 Input Lens Diffuser



A08087 Input Lens Diffuser (Opal)

Dimensions in () are in mm

All specifications are subject to change without prior notice. This datasheet or any extracts thereof may only be used in other publications with express permission of SCHOTT. © SCHOTT North America, Inc.

Lighting and Imaging
SCHOTT North America, Inc.
 122 Charlton Street
 Southbridge, MA 01550
 USA
 Phone: +1 (508) 765-9744
 Fax: +1 (508) 765-1299
 lightingimaging@us.schott.com
 www.us.schott.com/lightingimaging

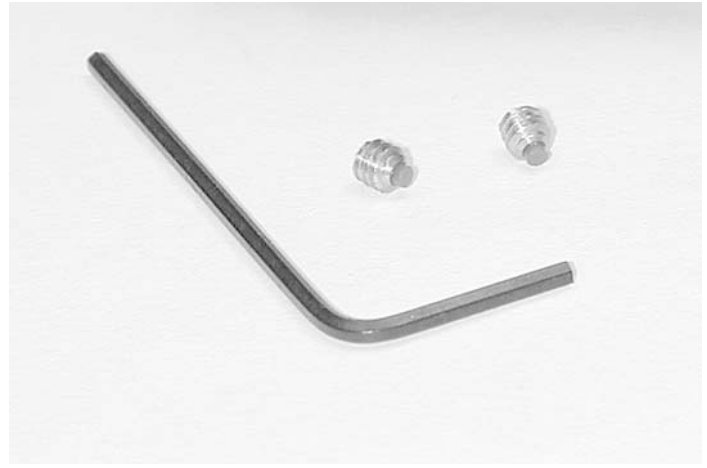


Bundle Extenders

Extends the working length of standard fiber optic components using a SCHOTT bundle and these couplers.



Bundle Extender, A08035



Bundle Extender Nylon tipped Set Screws

Product and Performance Characteristics

- Reduces the requirement for custom fiber optic lengths, can provide the user with additional work space
- Extends length of all standard SCHOTT ringlights, bundles, goosenecks, lightlines, and backlights* that have a .310" (8) or .510" (13) active fiber diameter (see chart)
- Black anodized aluminum with nylon tipped set screws

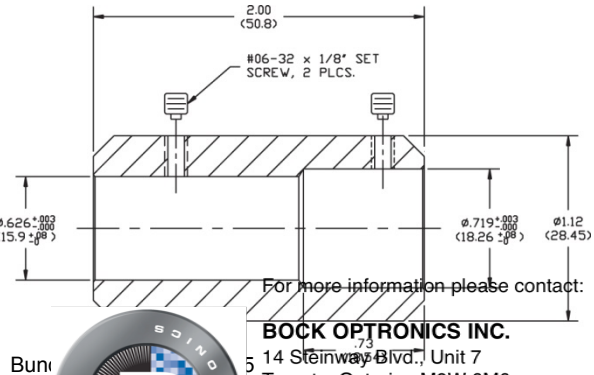
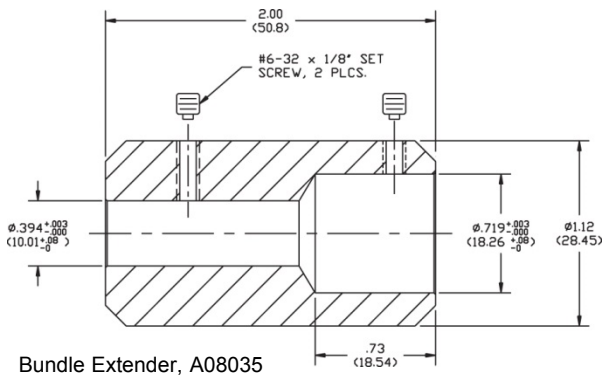
PLEASE NOTE:

- * Using a bundle extender results in a 30-40% light loss. If your application requires maximum intensity, we recommend ordering a modified standard component.
- * Backlight adapter, part number A08931 is required in order for the bundle extender to be used with SCHOTT standard backlights

Bundle Extender

Part No. Bundle Extender	Part No. Single Bundle
A08035	A08031.40 A08031.60 A08031.80 A08031.40R A08031.60R A08031.80R
A08055	A08051.40 A08051.60

Dimensions in () are in mm



For more information please contact:

BOCK OPTRONICS INC.
14 Steinway Blvd., Unit 7
Toronto, Ontario M9W 6M6

Tel: (416) 674-2804
sales@bockoptronics.ca
www.bockoptronics.ca



SCHOTT N

122 Chanton Street
Southbridge, MA 01550
USA

Phone: +1 (508) 765-9744

Fax: +1 (508) 765-1299

lightingimaging@us.schott.com

www.us.schott.com/lightingimaging

All specifications are subject to change without prior notice. This datasheet or any extracts thereof may only be used in other publications with express permission of SCHOTT. © SCHOTT North America, Inc.

SCHOTT
glass made of ideas