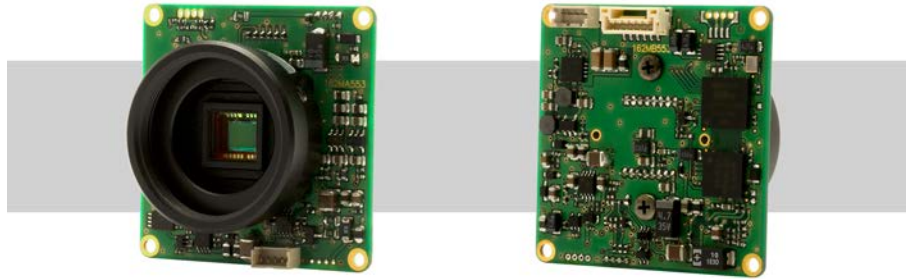


W-03CDB3 1/3" Multi-function Board Camera with CS Lens Mount

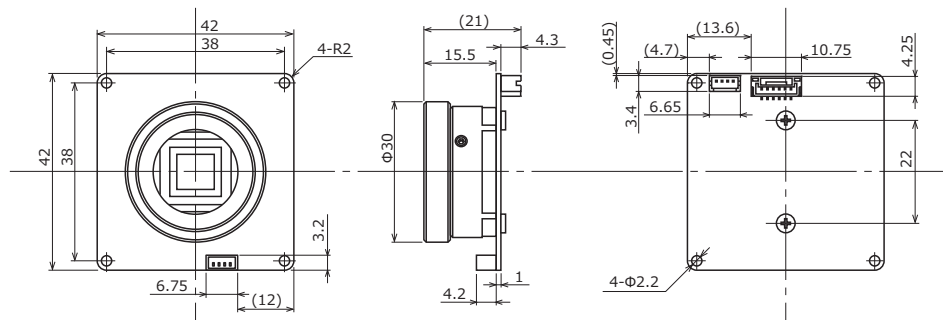
High functionality and high sensitivity for demanding scene conditions



Key features

- 1/3-inch CCD sensor with high sensitivity 0.005 lx F1.2 and resolution 650TVL
- Advanced setting available by OSD (On Screen Display) through an optional controller
- 2DNR, privacy masking, BLC (Back Light Compensation)
- Mirror image, white blemish correction, contour correction
- Manual iris lens, video drive iris lens and DC drive iris lens compatible

Dimensions



Specifications

Video standard		NTSC	PAL
Pick-up element		1/3 inch interline transfer CCD image sensor	
Number of effective pixels		976(H) × 494(V)	976(H) × 582(V)
Unit cell size		5.40μm(H) × 7.40μm(V)	5.00μm(H) × 6.25μm(V)
Imaging system		Ye, Cy, Mg, and G complementary color mosaic filters on chip	
Synchronizing system		Internal	
Scanning system		2:1 interlace	
Video output		Composite video, 1.0 V(p-p), 75Ω (Unbalanced)	
Resolution (H)		More than 650TVL (Center)	
Minimum illumination		0.005 lx F1.2	
S/N		More than 52dB	
Function settings		OSD(On Screen Display) operated by optional remote controller	
AE mode	Fixed	1/60, 1/100 sec.	1/50, 1/120 sec.
	EI	1/250, 1/500, 1/1000, 1/2000, 1/4000, 1/10000 sec.	
		1/60 - 1/100000 sec.	1/50 - 1/100000 sec.
White balance		ATW, PUSH, USER1, USER2, ANTI CR, MANUAL, PUSH LOCK	
AGC	ON	-3 - 45dB	
	OFF	-3dB	
MGC		8 steps (Selectable)	
Gamma characteristics		γ≈0.45	
Noise reduction		2DNR ON / OFF	
Lens iris		Video / DC	
Back light compensation		OFF / BLC / HLC	
White blemish correction		Max 64 dots	
Defog		ON (Level selectable) / OFF	
Privacy mask		8 masks	
Mirror image		ON (H-FLIP) / OFF	
Video level		0 - 255 (BRIGHTNESS)	
Output switching		AUTO / COLOR / BW	
Sharpness		0 - 255 (SHARPNESS)	
Power supply		DC+12V±10%	
Power consumption		0.78W/65mA	
Operating temperature		-10 - +50°C	
Storage temperature		-30 - +70°C	
Operating / Storage humidity		95% RH or less (Without condensation)	
Lens mount		CS mount	
Weight		Approx. 29g	
Accessories		4P cable, Hex. wrench	

Accessories
 Options

CS-mount lenses

13VG308ASIR II 13VG1040ASIR

Miniature lenses / Mount adaptors

2520BC-12 0820BC-12

2920BC-12 1220BC-12

3820BC-12 0814BC-12

0625BC-12 2540EX014-M12

C-mount adaptor

30CMA-R

※Not in our lineup

W-03CDB3

IRIS(DC)

IRIS cable (150mm)

Conversion cable

CC-02

Remote control

RC-01

Cable

4P cable (300mm)

Cable with connectors

CB-02

Cables

1.5C2V (BNC/BNC)

3C2V (BNC/BNC)

3C2V (BNC/RCA)

Power supply adaptors

SWI12-12-N-P5

SWI12-12-E-P5

VIDEO OUT

POWER IN (DC12V)

POWER IN (DC12V)

VIDEO OUT (BNC)

VIDEO OUT (BNC)

VIDEO OUT (RCA)



※Not in our lineup

OSD

For more information please contact:

BOCK OPTRONICS INC.
 14 Steinway Blvd., Unit 7
 Toronto, Ontario M9W 6M6

Tel: (416) 674-2804
sales@bockoptronics.ca
www.bockoptronics.ca

