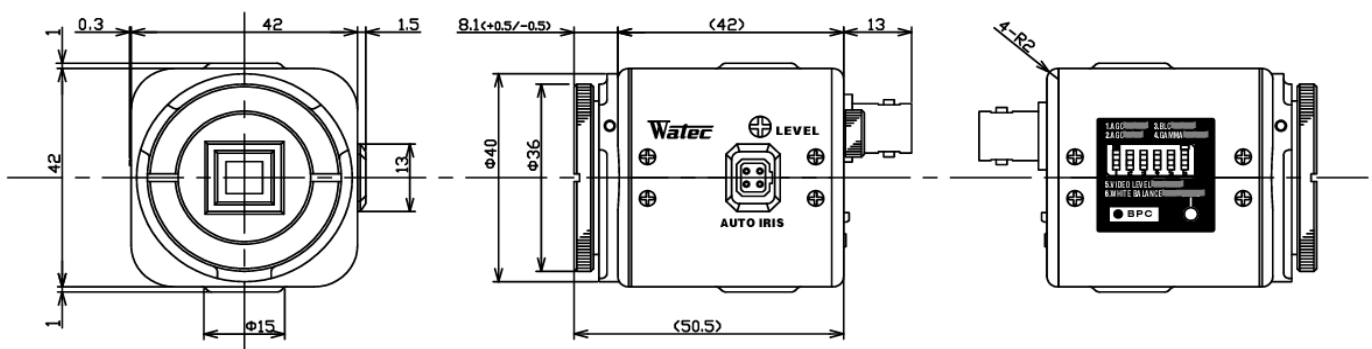


SPECIFICATIONS

Model		WAT-600CX (NTSC)	WAT-600CX (PAL)
Pick-up element		1/3 inch interline transfer CCD image sensor	
Number of total pixels		811(H) × 508(V)	795(H) × 596(V)
Number of effective pixels		768(H) × 494(V)	752(H) × 582(V)
Unit cell size		6.35μm(H) × 7.4μm(V)	6.5μm(H) × 6.25μm(V)
Imaging system		Ye, Cy, Mg, and G complementary color mosaic filters on chip	
Synchronizing system		Internal	
Scanning system		2:1 interlace	
Video output		BNC: 1, Service: 1(Composite Video, 1.0 V(p-p), 75Ω, unbalanced)	
Resolution (H)		More than 540TVL (Center)	
Minimum illumination		0.02 lx. F1.2 (AGC HI)	
S/N		More than 50dB (AGC=OFF, γ=1.0)	
AE mode	Fixed	1/60, 1/100(FL) sec.	1/50, 1/120(FL) sec.
		1/1000sec.	
	EI	1/60 - 1/100000 sec.(flicker suppress)	1/50 - 1/100000 sec.(flicker suppress)
White balance		ATW(color rolling less), PWB	
AGC	ON	HI: 0 - 38dB / LO: 0 - 32dB	
	OFF	0dB	
Gamma characteristics		γ ≒ 0.45(ON) / γ = 1.0(OFF)	
Video level		100IRE / 75IRE	
Lens iris		Video / DC (EIAJ arrangement, Auto-select)	
Back light compensation		ON / OFF	
White blemish correction		Up to 32 dots	
Power supply		DC+15V±10%(WAT-400RX)	
Power consumption		2.25W (3C-2V, 100m, WAT-400RX)	
Maximum cable length		3C-2V, 150m	
Operating temperature		-10 - +50°C (Without condensation)	
Storage temperature		-30 - +70°C (Without condensation)	
Operating / Storage humidity		Less than 95% RH	
Lens mount		CS mount (Back focus adjustable)	
Weight		Approx. 140g (Camera)	

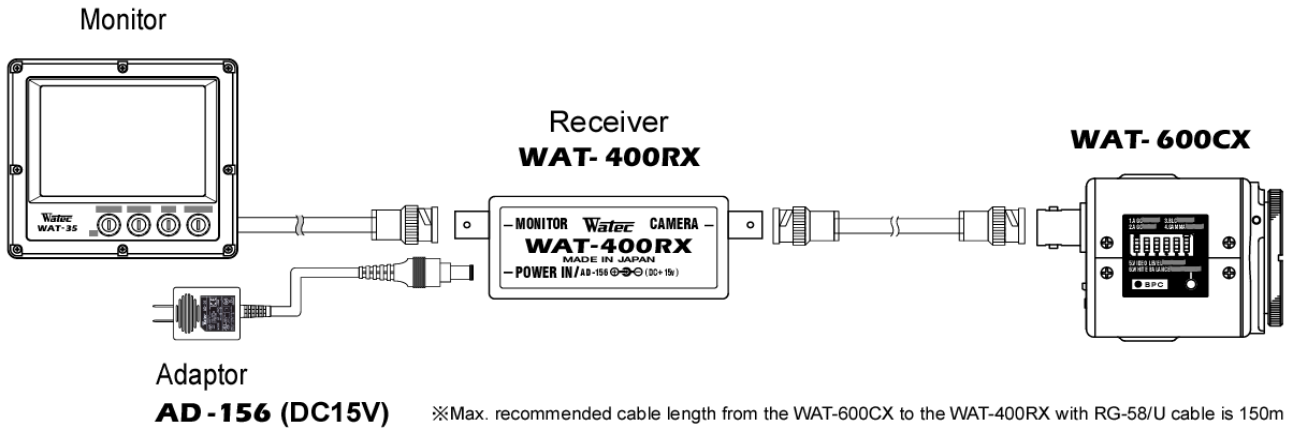
※Design and specifications are subject to change without notice.

DIMENSIONS (mm)



WIRING DIAGRAM

■ Adaptor: Type A



■ Adaptor: Type B

