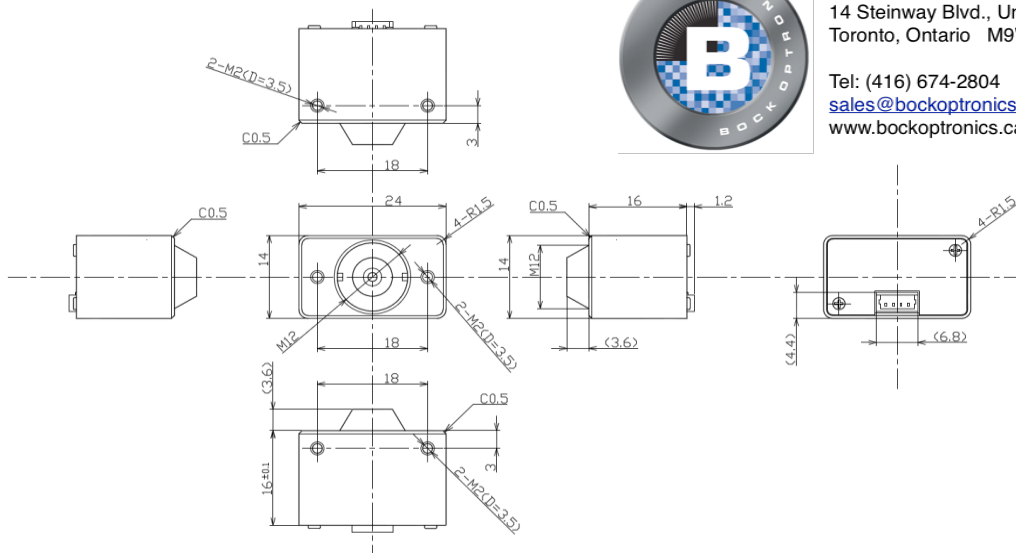


SPECIFICATIONS

Model	WAT-MC01(NTSC)
Pick-up element	1/4 inch CMOS image sensor
Number of total pixels	672(H) × 506(V)
Number of effective pixels	648(H) × 486(V)
Unit cell size	5.6μm(H) × 5.6μm(V)
Imaging system	RGB primary color filters on chip
Synchronizing system	Internal
Scanning system	2:1 interlace
Video output	Composite Video, 1.0 V(p-p), 75 Ω, unbalanced
Resolution (Horizontal)	300TVL (Center)
Minimum illumination	0.4 lx. F2.0
S/N	50dB (AGC=0dB, γ=1.0)
AE (Auto-exposure)	ON
White balance	ATW
AGC	0 - 24dB
Gamma characteristics	γ ≐ 0.45
Back light compensation	OFF
Power supply	DC+12V±10%
Power consumption	0.54W (45mA)
Operating temperature	-10 - 50°C
Storage temperature	-30 - 70°C
Operating / Storage humidity	Less than 95% RH
Lens mount	M12 P=0.5
Standard lenses	f=3.4mm F2.0
Weight	Approx. 15g

※Design and specifications are subject to change without notice.

DIMENSIONS (mm)



For more information please contact:

BOCK OPTRONICS INC.
14 Steinway Blvd., Unit 7
Toronto, Ontario M9W 6M6

Tel: (416) 674-2804
sales@bockoptronics.ca
www.bockoptronics.ca