

BVC-ATHD1 AHD/TVI TO HDMI CONVERTER

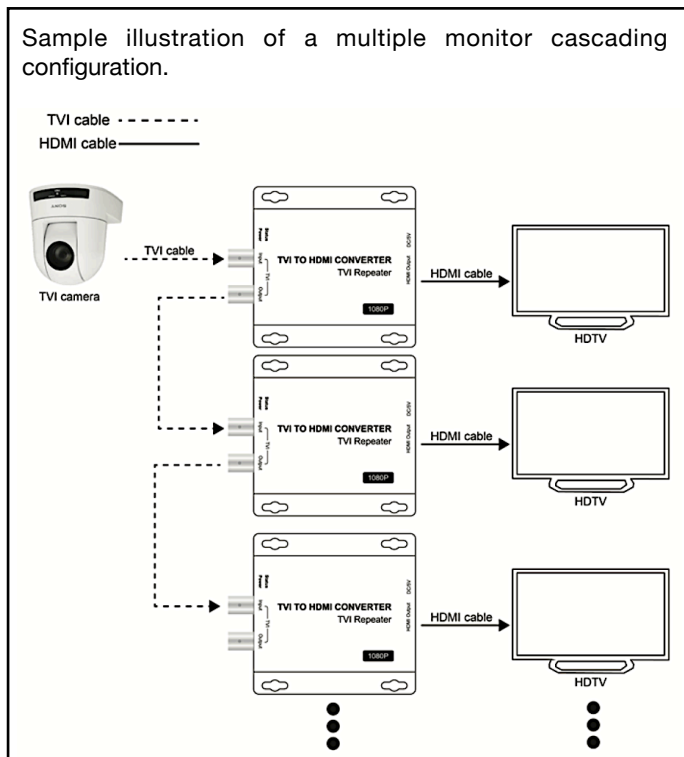


KEY FEATURES

- Converts AHD/TVI signal to HDMI
- View content from virtually any AHD/TVI camera on a HDMI display
- Loop out AHD/TVI output
- 720p@60Hz / 1080P@30Hz maximum input resolution
- 1080p@60Hz maximum output resolution
- Transmits up to 300 metres over a single coaxial cable



The BVC-ATHD1 AHD/TVI to HDMI Converter is the simplest solution to view content from virtually any AHD or TVI format cameras directly on a HDMI display. The AHD/TVI loop out feature allows for unconverted pass through of AHD/TVI output, allowing the daisy chaining of multiple converters to view content on multiple displays. With support for transmission distances up to 300 meters, this converter is perfect for AHD/TVI video distribution networks, both large and small.



BVC-ATHD1 SPECIFICATIONS

Inputs	1x AHD/TVI
Outputs	1x AHD/TVI 1x HDMI
Maximum Input Resolution	720p @ 30Hz/60Hz 1080p @ 30Hz
Maximum HDMI Output Resolution	1080p @ 60Hz <i>(high speed HDMI cable required)</i>
Power Requirement	5V DC, 1.0A
Dimensions (LxWxH)	95mm x 95mm x 29mm (3.7" x 3.7" x 1.1")
Operating Temperature	0°C ~ 60°C (32°F ~ 140°F)
Product SKU	MP16178

1. TVI Input LED Indicator
2. Power LED Indicator
3. AHD/TVI Input
4. AHD/TVI Output
5. HDMI Output
6. Power Input (5VDC)

