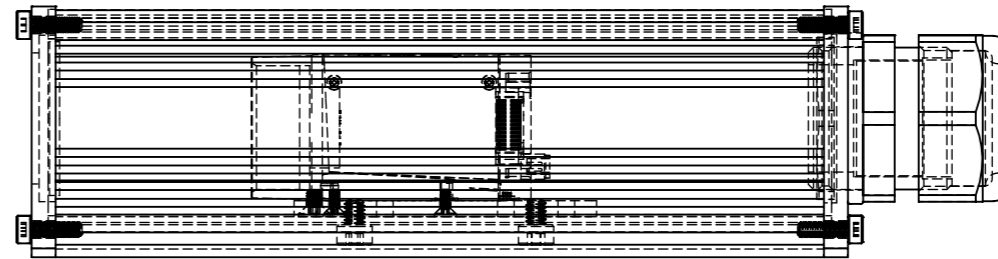
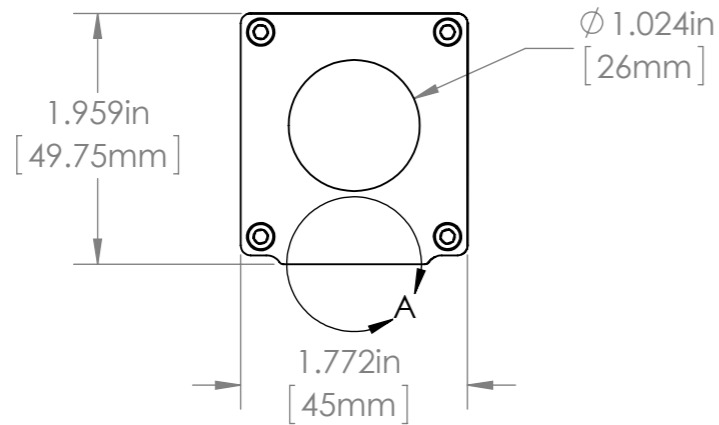
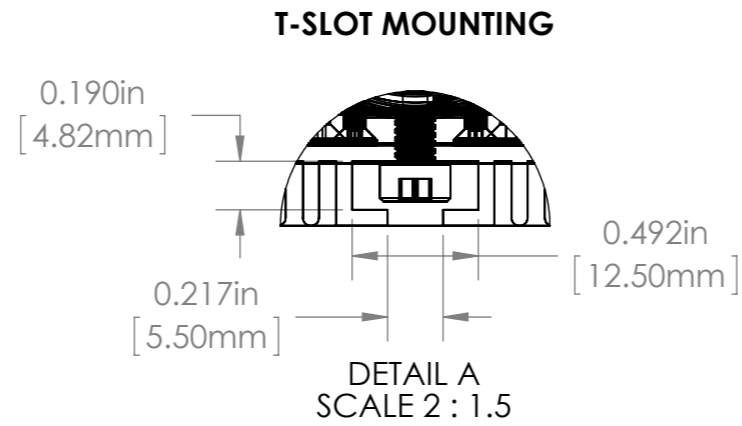
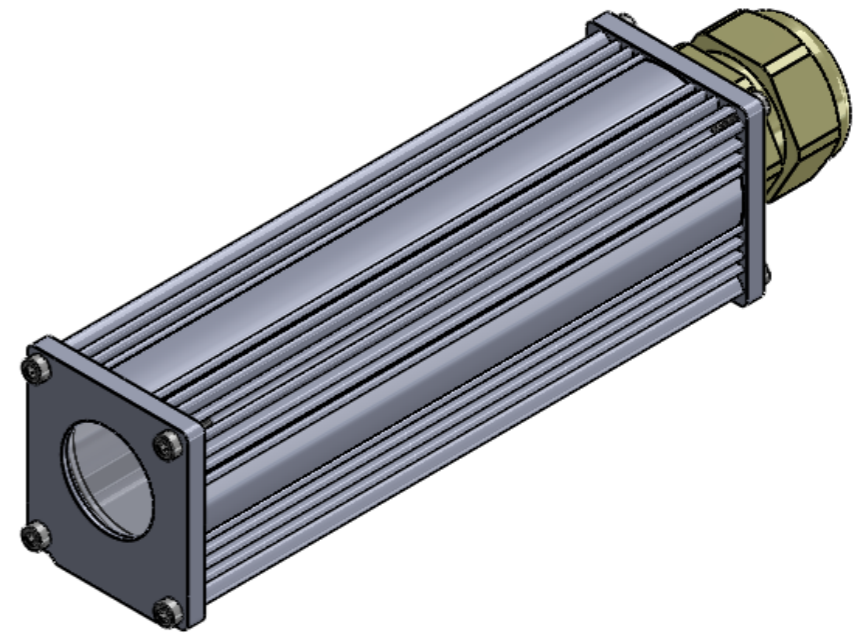
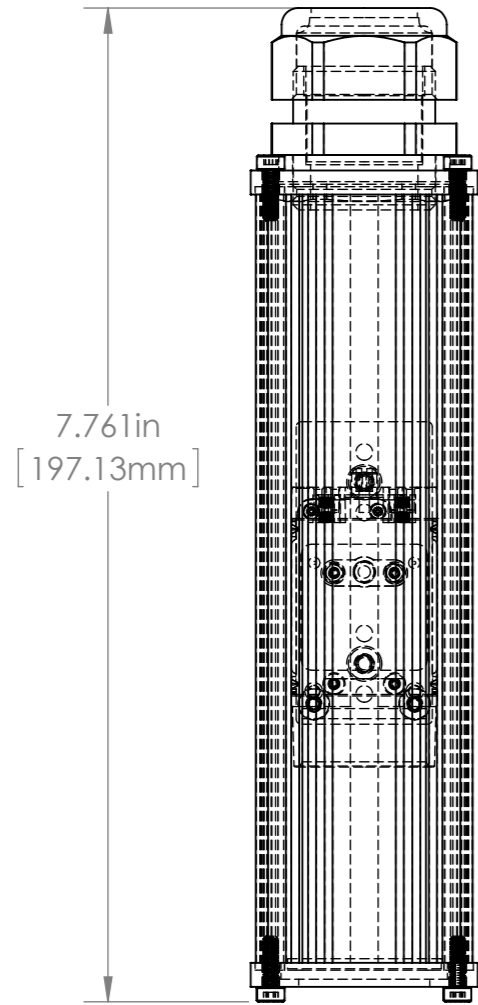


				UNLESS OTHERWISE SPECIFIED: DIMENSIONS ARE IN INCHES SURFACE FINISH: TOLERANCES: .000= +/- 0.005" .00= +/- 0.010"		FINISH: DEBUR AND BREAK SHARP EDGES		DO NOT SCALE DRAWING		REVISION	
				LINEAR:				Allison Park Group, Inc. (APG) 4055 Alpha Drive Allison Park, PA 15101 USA		This document is the property of APG and is considered company confidential. The information in this document is the property of APG and may not be used, reproduced, or distributed in whole or in part without the prior written permission of APG	
				DRAWN		NAME		Phone +1 (412) 487-8211 Fax +1 (412) 486-3157		TITLE: <b>EH-AC IS8000 Acrylic PG21 ASSY DIMS</b>	
				CHK'D		SIGNATURE		www.apgvision.com			
				APPVD		DATE		MATERIAL: <b>ALUMINUM</b>		DWG NO. <b>EH-AC</b>	
				MFG				WEIGHT:		SCALE: 1:2	
				Q.A				SHEET 1 OF 1		A3	
				NOTES:							
NO.	CHANGE	DATE	INIT.								



For more information please contact:

**BOCK OPTRONICS INC.**  
 14 Steinway Blvd., Unit 7  
 Toronto, Ontario M9W 6M6  
 Tel: (416) 674-2804  
[sales@bockoptronics.ca](mailto:sales@bockoptronics.ca)  
[www.bockoptronics.ca](http://www.bockoptronics.ca)

UNLESS OTHERWISE SPECIFIED: DIMENSIONS ARE IN INCHES SURFACE FINISH: TOLERANCES: .000= +/- 0.005" .00= +/- 0.010"				FINISH: DEBUR AND BREAK SHARP EDGES	
LINEAR:	NAME	SIGNATURE	DATE		
	DRAWN OLSON		10/8/2015		
	CHK'D				
	APPVD				
	MFG				
	Q.A				
	NOTES:				
NO.	CHANGE	DATE	INIT.		

Allison Park Group, Inc. (APG)  
 4055 Alpha Drive  
 Allison Park, PA 15101 USA  
 Phone +1 (412) 487-8211  
 Fax +1 (412) 486-3157  
[www.apgvision.com](http://www.apgvision.com)  
 MATERIAL: ALUMINUM  
 WEIGHT:

DO NOT SCALE DRAWING	REVISION
This document is the property of APG and is considered company confidential. The information in this document is the property of APG and may not be used, reproduced, or distributed in whole or in part without the prior written permission of APG.	
TITLE: <b>EH-AB (30x30 Extrusion)</b>	
DWG NO. <b>EH-AB</b>	A3
SCALE: 1:2	SHEET 1 OF 1