



INNOVATIVE
HIGH DEFINITION SURVEILLANCE

Resolution 960

KPT-SPDN300NUCH

750TVL PTZ Camera

www.ktncusa.com

- 750TVL Horizontal Resolution
- 30x Optical Zoom Lens
- IP66 (Weather Resistant)
- True Day & Night with ICR Mechanism
- 3D DNR / WDR / OSD / Mirror
- 1/4 " SONY Double Scan Super HAD CCD II
- AC 24 V Power

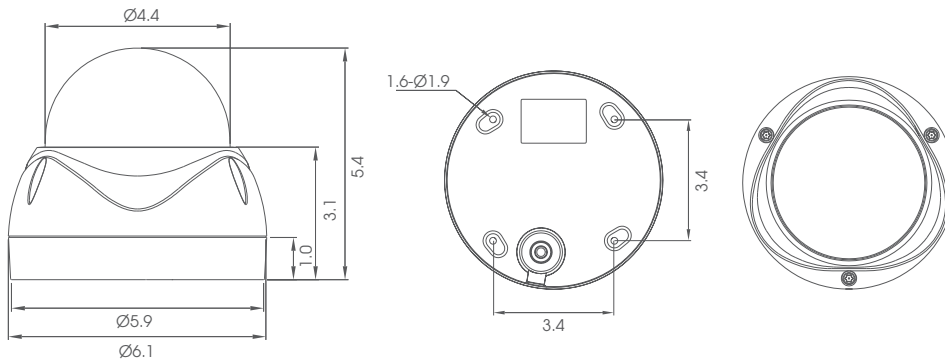




Resolution 960

- 750TVL Horizontal Resolution
- 30x Optical Zoom Lens
- IP66 (Weather Resistant)
- True Day & Night with ICR Mechanism
- 3D DNR / WDR / OSD / Mirror
- 1/4 " SONY Double Scan Super HAD CCD II
- AC 24 V Power

General Feature Diagram Unit: (inch)



210 Preset Positions

User can specify up to 210 preset position, time and method for automatic monitoring. The camera memorizes positions of the pan/tilt and zoom.



Normal

BLC

WDR on

WDR (Wide Dynamic Range)

To get detailed information from dark and bright combination image without any saturation, the WDR Technology is required. It combines bright areas with high shutter speed exposure and dark areas with low shutter speed exposure into one composite image.

KPT-SPDN300NUCH

750TVL PTZ Camera

For more information please contact:

750 TVL	SONY 1/4" II SUPER HAD CCD II	IP66	WDR
8 PATTERN	4 IN ALARM	360° CONTINUOUS	VANDAL PROOF
		AC24V	



BOCK OPTRONICS INC.
14 Steinway Blvd., Unit 7
Toronto, Ontario M9W 6M6

Tel: (416) 674-2804
sales@bockoptronics.ca
www.bockoptronics.ca

Technical Specification

Signal System	NTSC				
Image Sensor	1/4 " SONY Double Scan Super HAD CCD II				
Scanning System	2:1 Interlace				
Horizontal Resolution	750TV Lines				
Scanning Frequency	15.734 KHz x 59.94 Hz (H x V)				
Total Pixels	Effective Pixels	1028 x 508 (H x V)	976 x 494 (H x V)		
Synchronization	Internal				
Lens	30x Optical Zoom (F1.65 (W) ~ F3.79 (T), f = 3.5 ~ 104.02 mm)				
Lens Type	30x Optical Zoom Lens				
S/N	More than 50 dB (AGC Off, 3DNR On)				
Gamma	r = 0.45				
Min. Illumination	0.2 Lux (30 IRE@F1.6), 0.001 (DSS), 0.1 Lux (ICR)				
Shutter Speed	1/60 ~ 1/100,000 sec				
Day & Night	True Day & Night with ICR Mechanism				
Day & Night Function	Auto, Color, B/W				
IP Rating	IP66 (Weather Resistant)				
Video Output Level	1.0 Vp-p Composite (75 Ω)				
On-Screen Display (OSD)	Built-in				
DNR	3D DNR				
White Balance	ATW, Indoor, Outdoor, Push Auto, Manual (R Gain, B Gain), AWB				
Privacy Masking	15 Zones				
Mirror	Off, H-Flip, V-Flip, HV-Flip				
Motion Detection	4 Zones				
WDR	On / Off (Level adjustable)				
Digital Zoom Ratio	10x				
Digital Slow Shutter	Off, 2 ~ 128 Field				
Other Function	8 Auto Scan include vector scan, 210 Position with camera status, 210 Position with camera status				
Language Option	English, Chinese, Russian, Spanish, German, Italian, French, Netherlandish				
Operating Temperature	without Heater	14 °F ~ 122 °F (-10 °C ~ 50 °C)			
	with Heater	-40 °F ~ 122 °F (-40 °C ~ 50 °C)			
Storage Temperature	-4 °F ~ 140 °F (-20 °C ~ 60 °C)				
Power Supply	AC 24 V (±10%)	without Heater	Max. 850 mA	with Heater	Max. 43 W
External Control	RS-485, PTZ Controller				
Dimension	Bubble (Ø 4.4) Ø 6.1 X 5.4 inch (Bubble (Ø112) Ø 154 x 138 mm)				
Weight	3.3 lbs (1.5 Kg)				