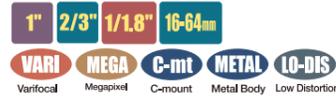
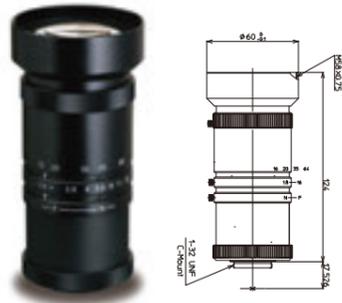


1" VARIFOCAL

LMVZ166HC

LMVZ166HC

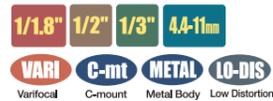


Model	LMVZ166HC
Focal Length(mm)	16-64(4.0x)
Image Size(mm)	12.8x9.6(Φ16)
Iris Range(F-stop)	F1.8-F16
Focusing Range(m)	1.0-∞
Control	Iris: Manual Focus: Manual
Shooting Range at M.O.D.(mm)	W881.4x639.7/T238.2x177.9
Angle of View	1 Inch: W45.9x34.2/T11.7x14.6 2/3 Inch: W31.3x23.4/T8.1x6.1 (Degrees) 1/1.8 Inch: W25.5x19.1/T6.6x5.0
TV Distortion(%)	W-3.4/T0.2
Back Focus in Air(mm)	W29.2/T29.5
Mount	C-mount
Filter Thread(mm)	M58xP0.75
Size(mm)	Φ60x124
Weight(g)	370
Temperature Range	-10°C~+50°C

1/1.8" VARIFOCAL

LMVZ4411

LMVZ4411



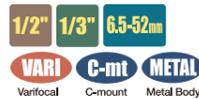
Model	LMVZ4411
Focal Length(mm)	4.4-11(2.5x)
Image Size(mm)	7.2x5.4(Φ9)
Iris Range(F-stop)	F1.6-F16
Focusing Range(m)	0.3-∞
Control	Iris: Manual Focus: Manual
Shooting Range at M.O.D.(mm)	W507.5x379.0/T211.4x159.0
Angle of View	1/1.8 Inch: W76.6x61.2/T36.7x28.0 1/2 Inch: W70.2x55.5/T32.9x25.0 (Degrees) 1/3 Inch: W55.5x43.0/T25.0x18.9
TV Distortion(%)	W-0.2/T0.4
Back Focus in Air(mm)	W8.8/T14.5
Mount	C-mount
Filter Thread(mm)	M43xP0.75
Size(mm)	Φ45x56.5
Weight(g)	125
Temperature Range	-10°C~+50°C

1/2" VARIFOCAL

LMVZ655 LMVZ990-IR

LMVZ655

※(1)



LMVZ990-IR



Model	LMVZ655	LMVZ990-IR
Focal Length(mm)	6.5-52(8x)	9-90(10x)
Image Size(mm)	6.4x4.8(Φ8)	6.4x4.8(Φ8)
Iris Range(F-stop)	F1.8-Close	F1.8-F16
Focusing Range(m)	0.2-∞	0.3-∞
Control	Iris: Manual Focus: Manual	Iris: Manual Focus: Manual
Shooting Range at M.O.D.(mm)	W232.8x168.2/T141.4x106.0	W252.7x182.5/T194.4x70.8
Angle of View	1/2 Inch: W54.8x41.1/T7.1x5.4 (Degrees) 1/3 Inch: W41.1x30.8/T5.4x4.0	W41.1x30.3/T4.2x3.1 W30.3x22.5/T3.1x2.4
TV Distortion(%)	W-1.2/T0.1	W-4.3/T0.3
Back Focus in Air(mm)	W10.2/T13.1	W15.4/T11.7
Mount	C-mount	C-mount
Filter Thread(mm)	M43xP0.75	M43xP0.75
Size(mm)	Φ46x73.5	Φ45x93
Weight(g)	163	194
Temperature Range	-10°C~+50°C	-10°C~+50°C

※(1) Available while stocks last

† Images may differ from the actual product.

FA LENS SPECIFICATION

Specifications are subject to change without notice.

4/3" 8 MEGAPIXEL

Model	Format Size(Inch)						Focal Length(mm)	Image Size	Iris Range (F-stop)	Focusing Range(m)	Mount	Field Angle(HxV)	TV Distortion(%)	Size(mm)	Weight(g)	Page
	4/3	1.1	1	2/3	1/1.8	1/2										
LM8XC	●	●	●	●	●	●	8.5	18.4x13.8(Φ23)	F2.8-F22	0.1-∞	C	93.5x77.1	0.12	Φ74x82.5	245	4
LM12XC	●	●	●	●	●	●	12	18.4x13.8(Φ23)	F2.0-F22	0.1-∞	C	74.9x59.6	0.59	Φ57x85	270	4
LM16XC	●	●	●	●	●	●	16	18.4x13.8(Φ23)	F2.0-F22	0.1-∞	C	60.6x47.2	0.02	Φ45x79.5	250	5
LM25XC	●	●	●	●	●	●	25	18.4x13.8(Φ23)	F2.0-F16	0.15-∞	C	40.9x31.1	-0.57	Φ45x89	255	5
LM35XC	●	●	●	●	●	●	35	18.4x13.8(Φ23)	F2.0-F16	0.2-∞	C	29.6x22.4	-0.17	Φ45x74	210	5
LM50XC	●	●	●	●	●	●	50	18.4x13.8(Φ23)	F2.0-F22	0.3-∞	C	20.6x15.7	0.80	Φ47x78	235	5

1" 12MEGAPIXEL

Model	Format Size(Inch)						Focal Length(mm)	Image Size	Iris Range (F-stop)	Focusing Range(m)	Mount	Field Angle(HxV)	TV Distortion(%)	Size(mm)	Weight(g)	Page
	4/3	1.1	1	2/3	1/1.8	1/2										
NEW LM8FC	●	●	●	●	●	●	8.5	14.1x10.6(Φ17.6)	F2.5-F16	0.1-∞	C	79.2x63.8	0.55	Φ64x73.3	230	6
NEW LM16FC	●	●	●	●	●	●	16	14.1x10.6(Φ17.6)	F1.8-F16	0.1-∞	C	48.0x36.7	-0.4	Φ43x65.7	200	7
NEW LM25FC	●	●	●	●	●	●	25	14.1x10.6(Φ17.6)	F1.8-F16	0.1-∞	C	31.5x23.9	-0.3	Φ45x69.4	220	7
NEW LM35FC	●	●	●	●	●	●	35	14.1x10.6(Φ17.6)	F2.0-F16	0.2-∞	C	22.1x16.7	0.01	Φ45x66	205	7

1" 6 MEGAPIXEL PLUS

Model	Format Size(Inch)						Focal Length(mm)	Image Size	Iris Range (F-stop)	Focusing Range(m)	Mount	Field Angle(HxV)	TV Distortion(%)	Size(mm)	Weight(g)	Page
	4/3	1.1	1	2/3	1/1.8	1/2										
LM12SC	●	●	●	●	●	●	12	12.8x9.6(Φ16)	F1.8-F16	0.1-∞	C	55.9x43.1	-0.55	Φ43x84	255	8
LM16SC	●	●	●	●	●	●	16	12.8x9.6(Φ16)	F1.8-F16	0.1-∞	C	44.0x33.6	0.02	Φ43x80	240	9
LM25SC	●	●	●	●	●	●	25	12.8x9.6(Φ16)	F1.8-F16	0.15-∞	C	28.9x21.8	-0.34	Φ43x89	245	9
LM35SC	●	●	●	●	●	●	35	12.8x9.6(Φ16)	F2.0-F16	0.2-∞	C	20.8x15.6	0.02	Φ43x74	200	9
LM50SC	●	●	●	●	●	●	50	12.8x9.6(Φ16)	F2.0-F16	0.3-∞	C	14.6x11.0	0.30	Φ43x78.5	210	9

1" MEGAPIXEL

Model	Format Size(Inch)						Focal Length(mm)	Image Size	Iris Range (F-stop)	Focusing Range(m)	Mount	Field Angle(HxV)	TV Distortion(%)	Size(mm)	Weight(g)	Page
	4/3	1.1	1	2/3	1/1.8	1/2										
LM6HC	●	●	●	●	●	●	6	12.8x9.6(Φ16)	F1.8-F16	0.1-∞	C	96.8x79.4	-0.2	Φ54x56.2	215	10
LM8HC	●	●	●	●	●	●	8	12.8x9.6(Φ16)	F1.4-F16	0.1-∞	C	79.4x63.0	-1.2	Φ57x58	205	10
LM12HC	●	●	●	●	●	●	12.5	12.8x9.6(Φ16)	F1.4-F16	0.3-∞	C	55.6x42.5	-1.58	Φ43x51.5	160	10
LM16HC	●	●	●	●	●	●	16	12.8x9.6(Φ16)	F1.4-F16	0.3-∞	C	44.3x33.6	-1.0	Φ43x52.9	150	10
LM25HC	●	●	●	●	●	●	25	12.8x9.6(Φ16)	F1.4-F16	0.3-∞	C	29.3x22.0	-1.0	Φ43x43	135	11
LM35HC	●	●	●	●	●	●	35	12.8x9.6(Φ16)	F1.4-F16	0.3-∞	C	20.9x15.8	-0.5	Φ43x43	135	11
LM50HC	●	●	●	●	●	●	50	12.8x9.6(Φ16)	F1.4-F16	0.5-∞	C	14.5x10.8	0.05	Φ49x48	210	11
LM75HC	●	●	●	●	●	●	75	12.8x9.6(Φ16)	F1.8-F16	1.0-∞	C	9.7x7.3	-0.2	Φ49x57	195	11

1" RUGGEDIZED MEGAPIXEL

Model	Format Size(Inch)						Focal Length(mm)	Image Size	Iris Range (F-stop)	Focusing Range(m)	Mount	Field Angle(HxV)	TV Distortion(%)	Size(mm)	Weight(g)	Page
	4/3	1.1	1	2/3	1/1.8	1/2										
LM8HC-V	●	●	●	●	●	●	8	12.8x9.6(Φ16)	F1.4/2.8/4/8	0.1-∞	C	79.7x63.0	-1.2	Φ58x58	183	13
LM12HC-V	●	●	●	●	●	●	12.5	12.8x9.6(Φ16)	F1.4/2.8/4/8	0.3-∞	C	55.6x42.5	-1.58	Φ44x51.5	130	13
LM16HC-V	●	●	●	●	●	●	16	12.8x9.6(Φ16)	F1.4/2.8/4/8	0.3-∞	C	44.3x33.6	-1.0	Φ44x53	120	13
LM25HC-V	●	●	●	●	●	●	25	12.8x9.6(Φ16)	F1.4/2.8/4/8	0.3-∞	C	29.3x22.0	-1.0	Φ43x43	104	13
LM35HC-V	●	●	●	●	●	●	35	12.8x9.6(Φ16)	F1.4/2.8/4/8	0.3-∞	C	20.9x15.8	-0.5	Φ46x44.1	133	13
LM50HC-V	●	●	●	●	●	●	50	12.8x9.6(Φ16)	F1.4/2.8/4/8	0.5-∞	C	14.5x10.8	0.05	Φ50x48	170	13

2/3" 10 MEGAPIXEL

Model	Format Size(Inch)						Focal Length(mm)	Image Size	Iris Range (F-stop)	Focusing Range(m)	Mount	Field Angle(HxV)	TV Distortion(%)	Size(mm)	Weight(g)	Page
	4/3	1.1	1	2/3	1/1.8	1/2										
LM5JC10M	●	●	●	●	●	●	5	8.8x6.6(Φ11)	F1.8-F16	0.1-∞	C	82.2x66.5	-0.33	Φ48x59.4	120	14
LM8JC10M	●	●	●	●	●	●	8.5	8.8x6.6(Φ11)	F1.8-F22	0.1-∞	C	54.0x41.9	0.31	Φ36x56	115	15
LM12JC10M	●	●	●	●	●	●	12	8.8x6.6(Φ11)	F1.8-F11	0.1-∞	C	39.1x29.8	-0.12	Φ33x53.5	105	15
LM16JC10M	●	●	●	●	●	●	16	8.8x6.6(Φ11)	F1.8-F16	0.1-∞	C	30.0x22.7	-0.20	Φ33x50	90	15
LM25JC10M	●	●	●	●	●	●	25	8.8x6.6(Φ11)	F1.8-F16	0.1-∞	C	20.0x15.1	-0.09	Φ33x45.5	95	15
LM35JC10M	●	●	●	●	●	●	35	8.8x6.6(Φ11)	F2.0-F16	0.1-∞	C	14.3x10.8	0.05	Φ43x49	160	15
LM50JC10M	●	●	●	●	●	●	50	8.8x6.6(Φ11)	F2.8-F16	0.1-∞	C	10.1x7.6	-0.02	Φ38x77	170	15

2/3" 5 MEGAPIXEL

Model	Format Size(Inch)						Focal Length(mm)	Image Size	Iris Range (F-stop)	Focusing Range(m)	Mount	Field Angle(HxV)	TV Distortion(%)	Size(mm)	Weight(g)	Page
	4/3	1.1	1	2/3	1/1.8	1/2										
LM12JC5M2	●	●	●	●	●	●	12.5	8.8x6.6(Φ11)	F1.4-F16	0.1-∞	C	38.4x29.2	-0.06	Φ38.5x52	130	16
LM16JC5M2	●	●	●	●	●	●	16	8.8x6.6(Φ11)	F1.4-F16	0.1-∞	C	29.9x22.7	0.03	Φ38.5x52	125	17
LM25JC5M2	●	●	●	●	●	●	25	8.8x6.6(Φ11)	F1.6-F16	0.1-∞	C	19.9x15.0	-0.01	Φ38.5x45.5	115	17
LM35JC5M2	●	●	●	●												