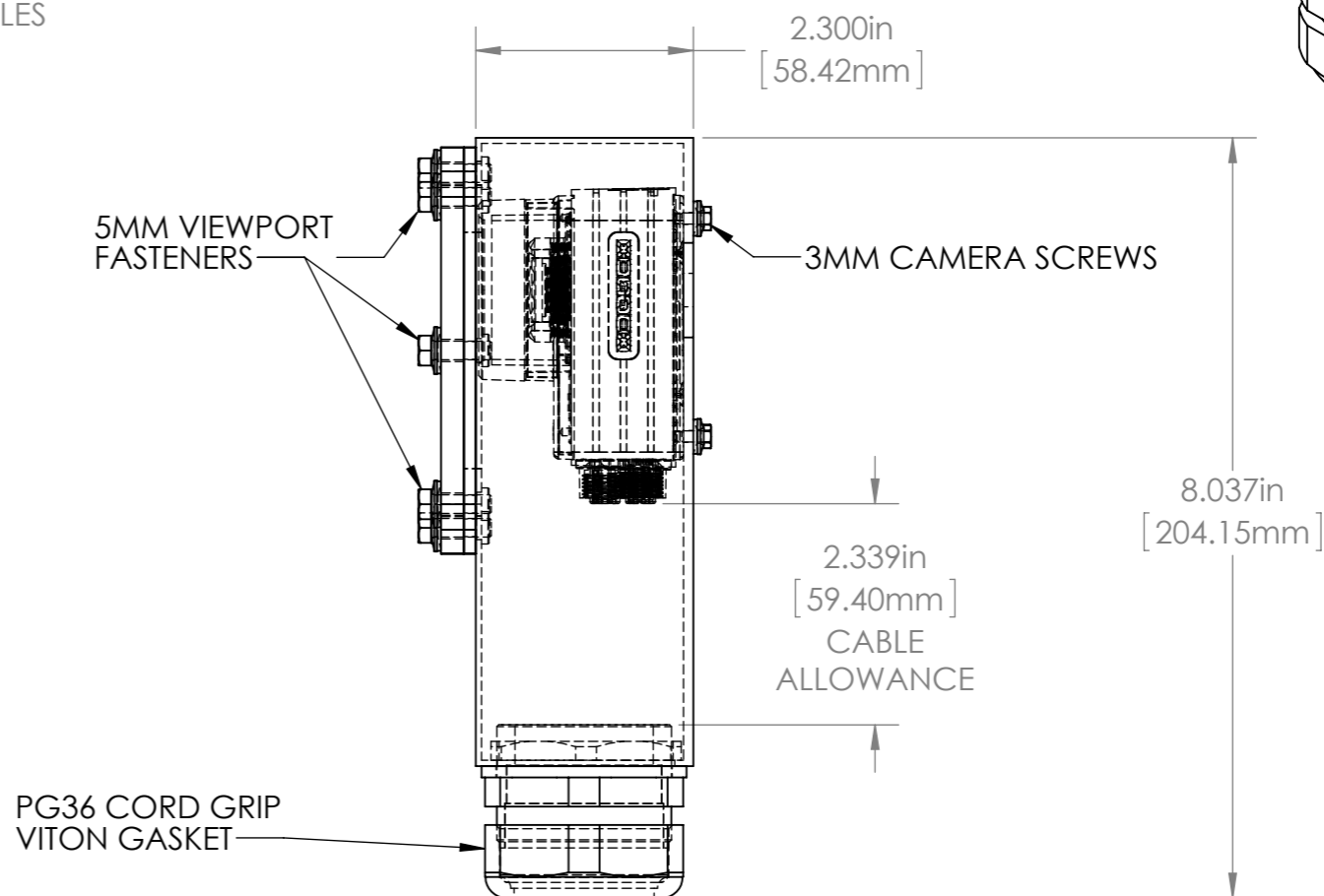
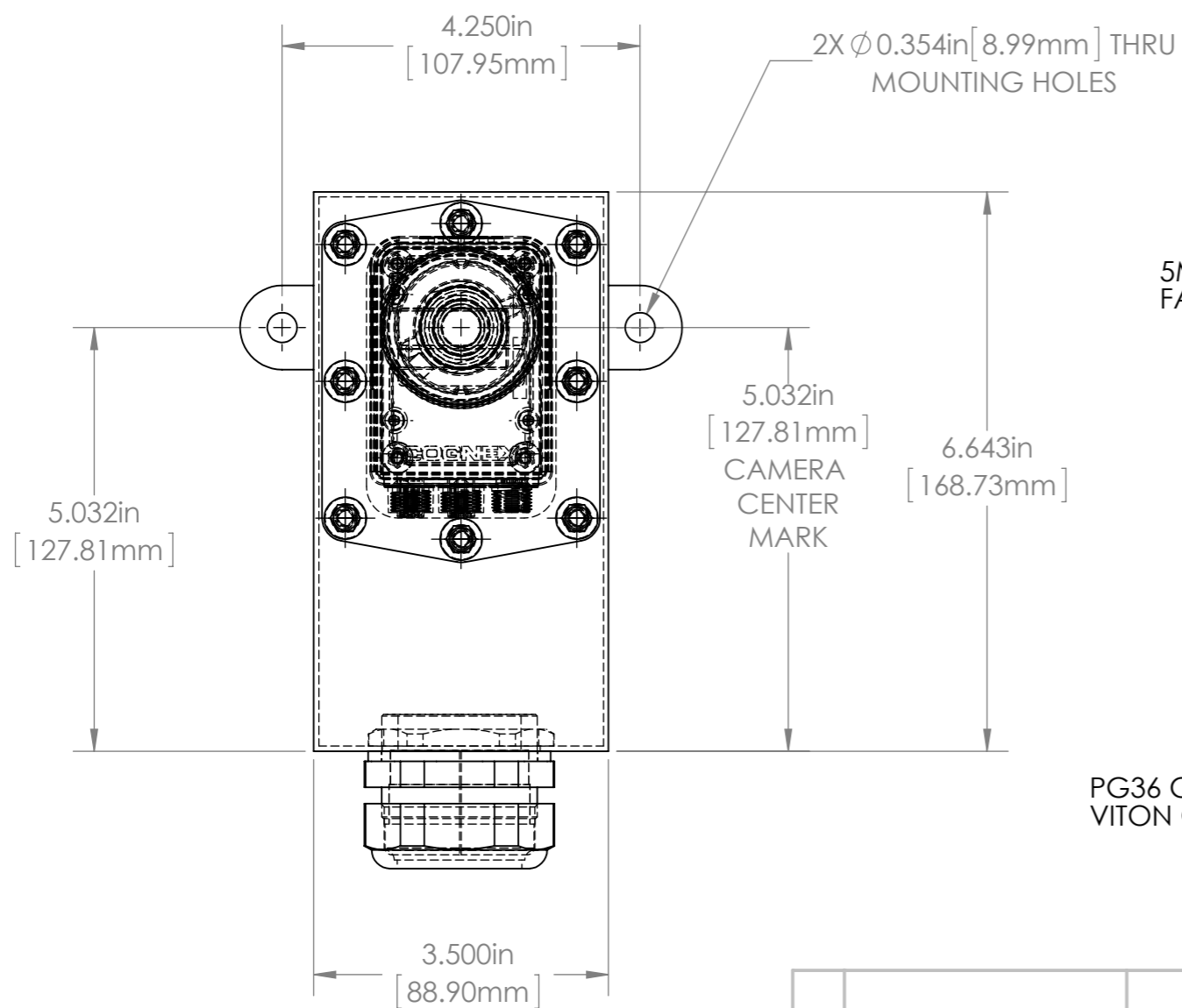
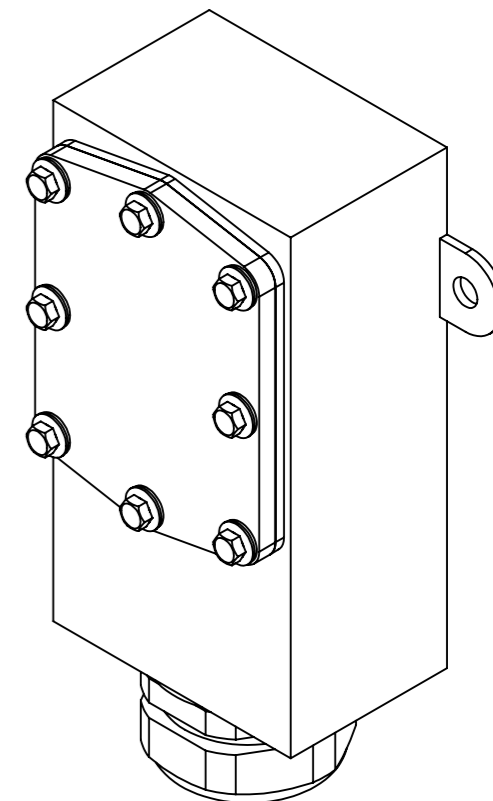
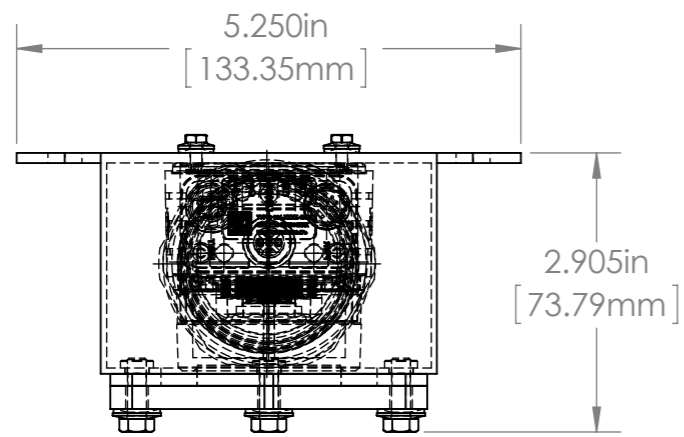
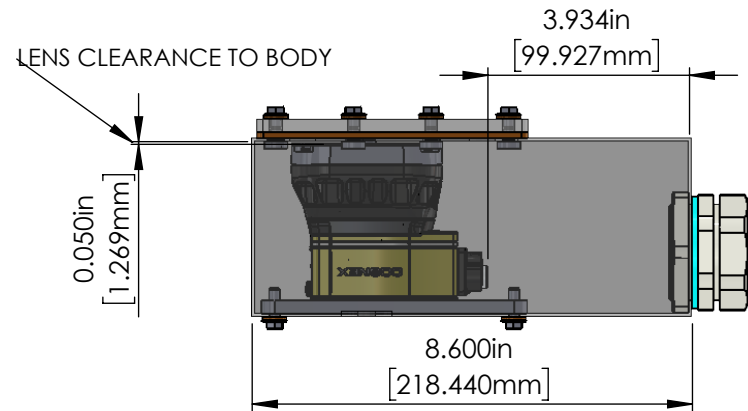
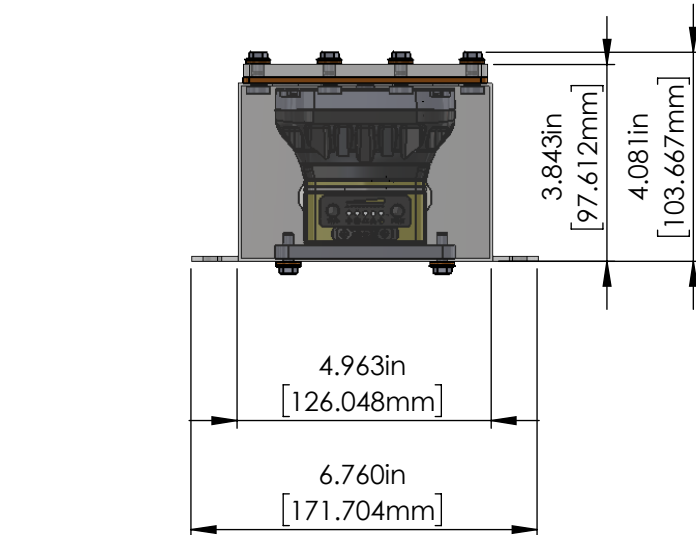
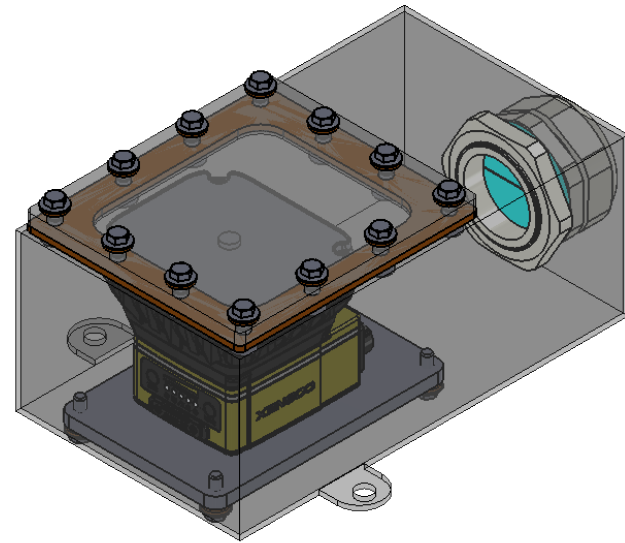
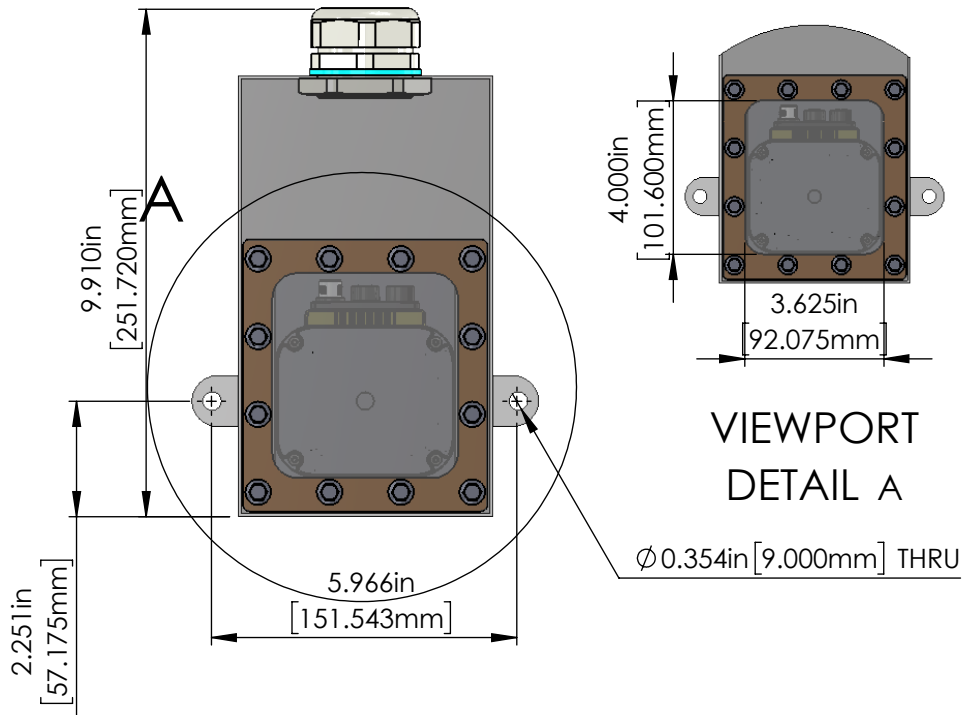


				UNLESS OTHERWISE SPECIFIED: DIMENSIONS ARE IN INCHES SURFACE FINISH: TOLERANCES: .000= +/- 0.005" .00= +/- 0.010"		FINISH: DEBUR AND BREAK SHARP EDGES		Allison Park Group, Inc. (APG) 4055 Alpha Drive Allison Park, PA 15101 USA		DO NOT SCALE DRAWING		REVISION	
				LINEAR:				Phone +1 (412) 487-8211 Fax +1 (412) 486-3157		This document is the property of APG and is considered company confidential. The information in this document is the property of APG and may not be used, reproduced, or distributed in whole or in part without the prior written permission of APG			
				DRAWN		NAME		SIGNATURE		DATE		TITLE:	
				SCHUBERT						7/21/2010		WASHDOWN ENCLOSURE FOR BALUFF BVS	
				CHK'D									
				APPV'D									
				MFG									
				Q.A									
				NOTES:									
				MATERIAL:				316 STAINLESS STEEL BODY ACRYLIC VIEWPORT SILICONE GASKET		DWG NO.		LD-AJ	
				WEIGHT:						SCALE: 1:2		A3	
				NO. CHANGE		DATE		INIT.		SHEET 1 OF 1			



				UNLESS OTHERWISE SPECIFIED: DIMENSIONS ARE IN INCHES SURFACE FINISH: TOLERANCES: .000= +/- 0.005" .00= +/- 0.010"	FINISH: BURNISHED	Allison Park Group, Inc. (APG) 4055 Alpha Drive Allison Park, PA 15101 USA Phone +1 (412) 487-8211 Fax +1 (412) 486-3157 www.apgvision.com	DO NOT SCALE DRAWING	REVISION
				LINEAR:	DEBUR AND BREAK SHARP EDGES		This document is the property of APG and is considered company confidential. The information in this document is the property of APG and may not be used, reproduced, or distributed in whole or in part without the prior written permission of APG.	
							TITLE: LD-AR (Cognex IS7000)	
							DWG NO. LD-AR ASSY DIMS	
							A3	
							SCALE: 1:2	
							SHEET 1 OF 1	
NO.	CHANGE	DATE	INIT.	MATERIAL: 316 STAINLESS STEEL BODY 40D SILICONE GASKET ACRYLIC VIEWPORT				
				WEIGHT:				



TOLERANCES UNLESS OTHERWISE SPECIFIED			
MACHINING		SHEETMETAL	
X.X	0.0300	X.X	± 0.0
X.XX	0.0100	X.XX	± 0.020
X.XXX	0.0050	X.XXX	NOTED
X.XXXX	0.0005	ANGULAR	0.5°
ANGULAR	0.5°	DEBURR	ALL EDGES



Allison Park Group, Inc (APG)
4055 Alpha Drive
Allison Park, PA 15101 USA
Phone +1 (412) 487-8211
Fax +1 (412) 486-3157

THIS PRINT IS THE PROPERTY OF ALLISON PARK GROUP. THE INFORMATION CONTAINED HEREIN IS CONFIDENTIAL. IT IS NOT TRANSFERABLE. IT IS FURNISHED WITH THE CLEAR UNDERSTANDING THAT IT IS NOT TO BE TRACED, REPRODUCED OR USED IN ANY PROCESS OF MANUFACTURING WITHOUT WRITTEN PERMISSION FROM THE OWNER AND IS RETURNABLE UPON DEMAND. ANY INFRINGEMENT UPON THE PATENT RIGHTS SHOWN HEREIN, WHETHER IN PART OR WHOLE, WILL BE PROSECUTED.

AS PART OF OUR POLICY OF CONTINUING DEVELOPMENT, ALLISON PARK GROUP RESERVES THE RIGHT TO ALTER SPECIFICATIONS WITHOUT PRIOR NOTICE.

DESCRIPTION:			
LD-DN (IS7000G2 Light FDA)			
MATERIAL:			APPROX. WEIGHT
FINISH:			
DRAWN BY:	DATE:	SCALE:	SHT-SIZE:
AW	7/20/2017	NTS	A
CHECKED BY:	DATE:	PART NUMBER:	REVISION:
APPROVED BY:	DATE:	LD-DN	A
			Sheet 1 of 1

For more information please contact:



BOCK OPTRONICS INC.
14 Steinway Blvd., Unit 7
Toronto, Ontario M9W 6M6
Tel: (416) 674-2804
sales@bockoptronics.ca
www.bockoptronics.ca