

# LINE SCAN

Φ46.0mm IMAGE SIZE  
Φ30.0mm IMAGE SIZE (3CCD)

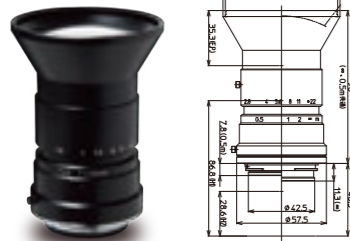
LM28LF LM35LF LM50LF LM28CLS LM35CLS LM50CLS

## LF Series

- ▶ Large format (Image size Φ46.0mm)
- ▶ Low distortion
- ▶ Corresponds to 4K Line Scan Camera
- ▶ Suitable for close distance inspection

Optimized design for machine vision

LM28LF



28mm FIXED METAL LO-DIS  
Fixed Focal Metal Body Low Distortion

LM35LF



35mm FIXED METAL LO-DIS  
Fixed Focal Metal Body Low Distortion

LM50LF



50mm FIXED METAL LO-DIS  
Fixed Focal Metal Body Low Distortion

Model	LM28LF	LM28LF-48	LM35LF	LM35LF-48	LM50LF	LM50LF-48
Focal Length(mm)	28		35		50	
Image Size(mm)	46.0(Φ46)		46.0(Φ46)		46.0(Φ46)	
Iris Range(F-stop)	F2.8-F22		F2.8-F22		F2.8-F22	
Focusing Range(m)	0.5-∞		0.4-∞		0.4-∞	
Control	Iris Manual Focus Manual		Iris Manual Focus Manual		Iris Manual Focus Manual	
Shooting Range at M.O.D.(mm)	424.3×281.1		239.9×160.3		162.9×108.9	
Angle of View	Full size 64.6×45.8 4/3 inch 35.8×27.2 1 inch 25.3×19.1		53.7×37.2 28.9×21.8 20.3×15.3		39.7×27.1 20.9×15.7 14.6×11.0	
TV Distortion(%)	-0.17		-0.15		-0.04	
Flange Back in Air(mm)	46.5	17.5	46.5	17.5	46.5	17.5
Mount	Nikon F-mount TFL-II mount		Nikon F-mount TFL-II mount		Nikon F-mount TFL-II mount	
Filter Thread(mm)	M72×P0.75		M52×P0.75		M52×P0.75	
Size(mm)	Φ75×98 500	Φ75×127	Φ57.5×71 430	Φ57.5×100	Φ57.5×77 470	Φ57.5×106

Nikon is a trademark of Nikon Corporation.

## CLS Series

- ▶ For industrial 3CCD color line scan camera
- ▶ For use with 30mm length line sensor
- ▶ Close up lens is available for close distance applications
- ▶ Ultra high resolution
- ▶ Low chromatic aberration
- ▶ Excellent corner brightness

LM28CLS



28mm FIXED 3CCD METAL  
Fixed Focal 3CCD Camera Metal Body

LM35CLS



35mm FIXED 3CCD METAL  
Fixed Focal 3CCD Camera Metal Body

LM50CLS



50mm FIXED 3CCD METAL  
Fixed Focal 3CCD Camera Metal Body

Model	LM28CLS	LM35CLS	LM50CLS
Focal Length(mm)	28	35	50
Image Size(mm)	30.0(Φ30)	30.0(Φ30)	30.0(Φ30)
Iris Range(F-stop)	F2.8-F22	F2.8-F22	F2.8-F22
Focusing Range(m)	0.5-∞	0.5-∞	0.5-∞
Control	Iris Manual Focus Manual	Iris Manual Focus Manual	Iris Manual Focus Manual
Shooting Range at M.O.D.(mm)	317.9(V)	259.1(V)	157.7(V)
Angle of View(Degrees)	55.2(V)	46.1(V)	32.3(V)
TV Distortion(%)	-0.1	0.06	-0.1
Flange Back in Air(mm)	46.5	46.5	46.5
Mount	Nikon F-mount	Nikon F-mount	Nikon F-mount
Filter Thread(mm)	M72×P0.75	M62×P0.75	M52×P0.75
Size(mm)	Φ75×108 482	Φ65×108 480	Φ58×63.5 358

Nikon is a trademark of Nikon Corporation.

† Images may differ from the actual product.

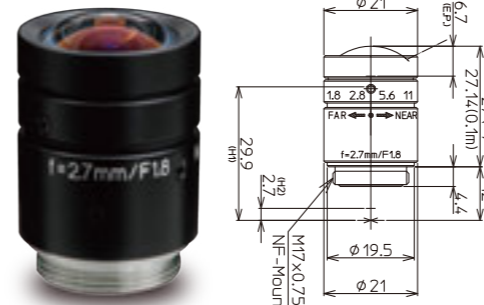
# 1/3" NF-MOUNT

## Compact NF-mt. lens Series

LM3NF LM5NF LM9NF

- ▶ Introducing the lineup of megapixel NF-mount lenses. The compact body and high resolution design will maximize the performance of NF-mount camera.

LM3NF



1/3" 2.7mm FIXED MEGA NF-mt METAL  
Fixed Focal Megapixel NF-mount Metal Body

Model	LM3NF
Focal Length(mm)	2.7
Image Size(mm)	4.8×3.6(Φ6)
Iris Range(F-stop)	F1.8-F11
Focusing Range(m)	0.1-∞
Control	Iris Manual Focus Manual
Shooting Range at M.O.D.(mm)	262.7(H)×167.8(V)
Angle of View(Degrees) 1/3 Inch	102.3×76.7
TV Distortion(%)	-7.3
Back Focus in Air(mm)	7.8
Mount	NF-mount
Size(mm)	Φ21×27
Weight(g)	30
Temperature Range	-10°C~+50°C

LM5NF



1/3" 4.5mm FIXED MEGA NF-mt METAL  
Fixed Focal Megapixel NF-mount Metal Body

Model	LM5NF
Focal Length(mm)	4.5
Image Size(mm)	4.8×3.6(Φ6)
Iris Range(F-stop)	F1.8-F11
Focusing Range(m)	0.1-∞
Control	Iris Manual Focus Manual
Shooting Range at M.O.D.(mm)	122.9(H)×89.9(V)
Angle of View(Degrees) 1/3 Inch	59.2×45.0
TV Distortion(%)	-2.8
Back Focus in Air(mm)	8.1
Mount	NF-mount
Size(mm)	Φ21×31
Weight(g)	35
Temperature Range	-10°C~+50°C

LM9NF



1/3" 9mm FIXED MEGA NF-mt METAL  
Fixed Focal Megapixel NF-mount Metal Body

Model	LM9NF
Focal Length(mm)	9
Image Size(mm)	4.8×3.6(Φ6)
Iris Range(F-stop)	F1.8-F11
Focusing Range(m)	0.1-∞
Control	Iris Manual Focus Manual
Shooting Range at M.O.D.(mm)	58.1(H)×43.3(V)
Angle of View(Degrees) 1/3 Inch	30.2×22.8
TV Distortion(%)	-0.6
Back Focus in Air(mm)	8.6
Mount	NF-mount
Size(mm)	Φ22×34
Weight(g)	40
Temperature Range	-10°C~+50°C

For more information please contact:



**BOCK OPTRONICS INC.**  
14 Steinway Blvd., Unit 7  
Toronto, Ontario M9W 6M6

Tel: (416) 674-2804  
sales@bockoptronics.ca  
www.bockoptronics.ca

† Images may differ from the actual product.